

## General Description

The HXT8204 VCSEL driver array is a key component for compact, robust, low-power optical transmitter modules. In conjunction with the VCSEL array, the chip handles the complete digital-to-optical conversion, including CML input, laser driver, drive control, and supervision. Standard silicon technology and a small number of additional components allow for cost-effective and compact assemblies.

## Applications

- 100G Ethernet SR4 modules
- 100G Ethernet AOC
- InfiniBand EDR transceivers
- InfiniBand EDR active cables
- Proprietary multi-channel optical modules

## Features

- Low power consumption of 113mW per channel while delivering 5mA average and 5mA modulation current
- Compatible with common cathode and isolated VCSEL arrays
- 2-wire interface control and symmetric pad design maximize module design flexibility
- Up to 10 mA Average and 10 mA modulation current
- QSFP MSA compliant

## Ordering Information

Part	Temp Range	Pin-Package
HXT8204-DNT	0°C to +85°C	Bare Die* 1.950mm x 1.575mm
HXT8204-EVB	Room Temp	Evaluation Board

\* Die Design Size; Actual die size may be slightly larger

For price, delivery schedules, and to place orders, please contact IDT: [www.IDT.com/go/sales](http://www.IDT.com/go/sales)

## Device Diagram

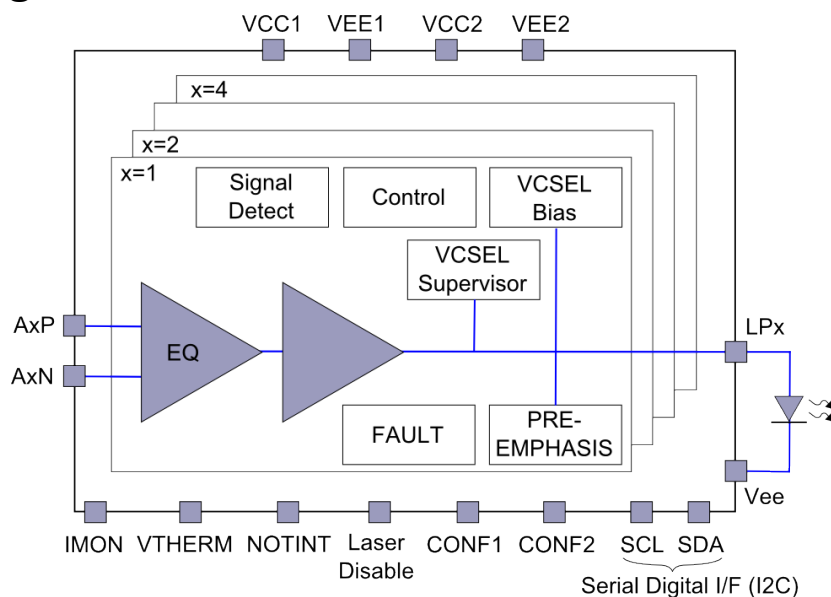


Figure 1: Device diagram

**Corporate Headquarters**

6024 Silver Creek Valley Road  
San Jose, CA 95138

[www.IDT.com](http://www.IDT.com)

**Sales**

1-800-345-7015 or 408-284-8200  
Fax: 408-284-2775

[www.IDT.com/go/sales](http://www.IDT.com/go/sales)

**Tech Support**

[www.IDT.com/go/support](http://www.IDT.com/go/support)

DISCLAIMER Integrated Device Technology, Inc. (IDT) and its affiliated companies (herein referred to as "IDT") reserve the right to modify the products and/or specifications described herein at any time, without notice, at IDT's sole discretion. Performance specifications and operating parameters of the described products are determined in an independent state and are not guaranteed to perform the same way when installed in customer products. The information contained herein is provided without representation or warranty of any kind, whether express or implied, including, but not limited to, the suitability of IDT's products for any particular purpose, an implied warranty of merchantability, or non-infringement of the intellectual property rights of others. This document is presented only as a guide and does not convey any license under intellectual property rights of IDT or any third parties.

IDT's products are not intended for use in applications involving extreme environmental conditions or in life support systems or similar devices where the failure or malfunction of an IDT product can be reasonably expected to significantly affect the health or safety of users. Anyone using an IDT product in such a manner does so at their own risk, absent an express, written agreement by IDT.

Integrated Device Technology, IDT and the IDT logo are trademarks or registered trademarks of IDT and its subsidiaries in the United States and other countries. Other trademarks used herein are the property of IDT or their respective third party owners. For datasheet type definitions and a glossary of common terms, visit [www.idt.com/go/glossary](http://www.idt.com/go/glossary). All contents of this document are copyright of Integrated Device Technology, Inc. All rights reserved.