

Brief Description

The ZLED7000, one of our ZLED Family of LED control ICs, is an inductive step-down converter that is optimal for driving a single LED or multiple LEDs (connected in series) from a voltage source greater than the voltage rating of the LED. The ZLED7000 operates in continuous mode. Capable of operating efficiently with voltage supplies ranging from 6 VDC to 40 VDC, it is ideal for low-voltage lighting applications. The ZLED7000 minimizes current consumption by remaining in a low-current standby mode (output is off) until a voltage of $\geq 0.3V$ is applied to the ADJ pin.

In operating mode, the ZLED7000 can source LEDs with an output current of $\leq 750mA$ (≤ 30 watts of output power) that is externally adjustable.* The ZLED7000's integrated output switch and high-side current sensing circuit use an external resistor to adjust the average output current. Linearity is achieved via an external control signal at the ZLED7000's ADJ pin, implemented either as a pulse-width modulation (PWM) waveform for a gated output current or a DC voltage for a continuous current.

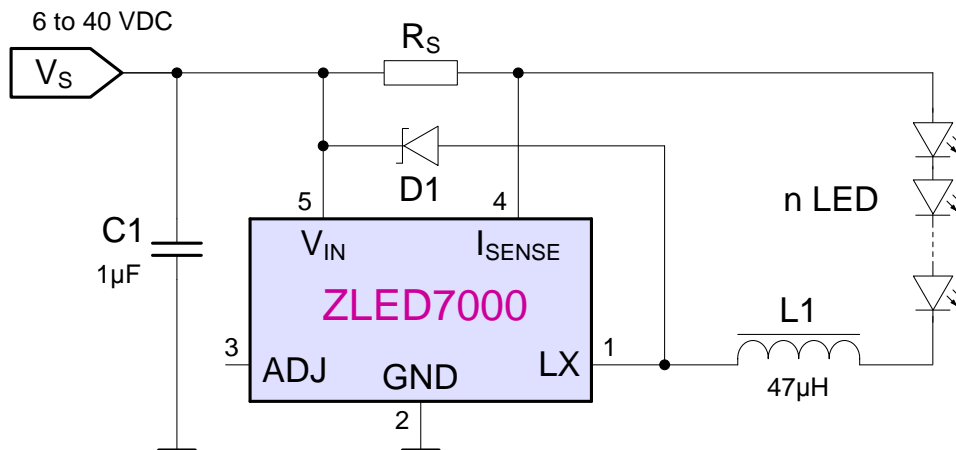
Features

- Capable of up to 95% efficiency*
- Operates in continuous mode with a wide input range from 6 VDC to 40 VDC
- Integrated 40V power switch
- One pin on/off or brightness control via PWM or DC voltage control signal input
- Switching frequency: $\leq 1MHz$
- Dimming rate: 1200:1 (typical)
- Output current accuracy: 5% (typical)
- Built-in thermal shutdown and open-circuit protection for LED
- Very few external components needed for operation
- Broad range of applications: outputs up to $\leq 750mA$
- SOT89-5 package

Application Examples

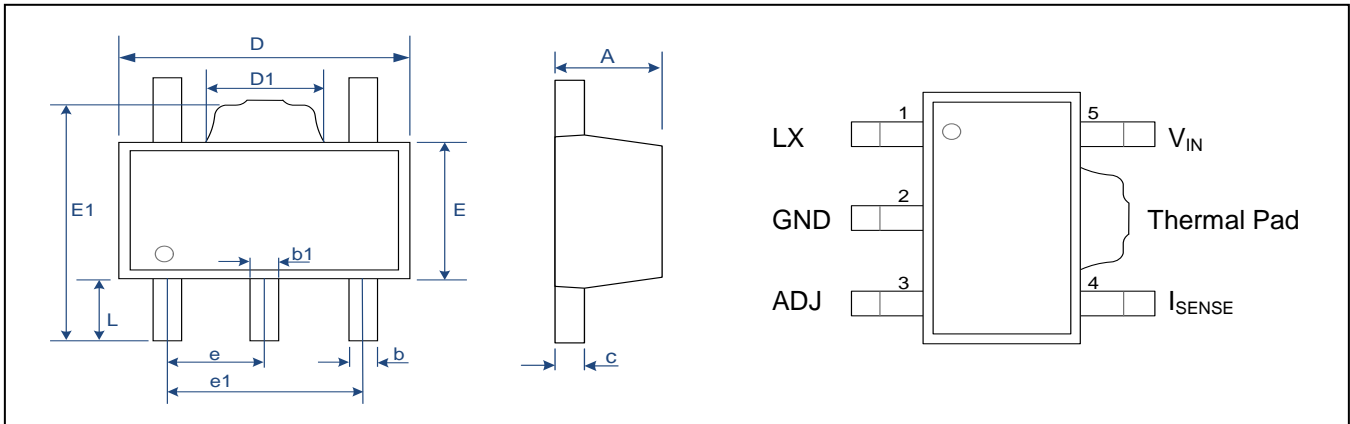
- Illuminated LED signs and other displays
- LED traffic and street lighting (low-voltage)
- Architectural LED lighting, including low-voltage applications for buildings
- Halogen replacement LEDs (low-voltage)
- LED backlighting
- General purpose exterior and interior LED lighting, including applications requiring low-voltage
- General purpose low-voltage industrial applications

ZLED7000 Application Circuit



* See section 2.3 and 1.4 for details

SOT89-5 Package Dimensions and Pin Assignments



Symbol	Dimension (mm)		Symbol	Dimension (mm)	
	Min	Max		Min	Max
A	1.400	1.600	E	2.300	2.600
b	0.320	0.520	E1	3.940	4.250
b1	0.360	0.560	e	1.500 Typ	
c	0.350	0.440	e1	2.900	3.100
D	4.400	4.600	L	0.900	1.100
D1	1.400	1.800			

Ordering Information

Product Sales Code	Description	Package
ZLED7000ZI1R	ZLED7000 – 40V LED Driver	SOT89-5 (Tape & Reel)
ZLED7000KIT-D1	ZLED7000 used in a MR16 Halogen replacement Demo Kit 12VAC/VDC, including 1 ZLED-PCB1	Kit
ZLED-PCB1	Test PCB with one 3W white High Brightness (HB) LED, cascable to one multiple LED string	Printed Circuit Board (PCB)
ZLED-PCB2	10 unpopulated test PCBs for modular LED string with footprints of 9 common HB LED types	Printed Circuit Board (PCB)



Corporate Headquarters
6024 Silver Creek Valley Road
San Jose, CA 95138
www.IDT.com

Sales
1-800-345-7015 or 408-284-8200
Fax: 408-284-2775
www.IDT.com/go/sales

Tech Support
www.IDT.com/go/support

DISCLAIMER Integrated Device Technology, Inc. (IDT) reserves the right to modify the products and/or specifications described herein at any time, without notice, at IDT's sole discretion. Performance specifications and operating parameters of the described products are determined in an independent state and are not guaranteed to perform the same way when installed in customer products. The information contained herein is provided without representation or warranty of any kind, whether express or implied, including, but not limited to, the suitability of IDT's products for any particular purpose, an implied warranty of merchantability, or non-infringement of the intellectual property rights of others. This document is presented only as a guide and does not convey any license under intellectual property rights of IDT or any third parties.

IDT's products are not intended for use in applications involving extreme environmental conditions or in life support systems or similar devices where the failure or malfunction of an IDT product can be reasonably expected to significantly affect the health or safety of users. Anyone using an IDT product in such a manner does so at their own risk, absent an express, written agreement by IDT.

Integrated Device Technology, IDT and the IDT logo are trademarks or registered trademarks of IDT and its subsidiaries in the United States and other countries. Other trademarks used herein are the property of IDT or their respective third party owners. For datasheet type definitions and a glossary of common terms, visit www.idt.com/go/glossary. All contents of this document are copyright of Integrated Device Technology, Inc. All rights reserved.