

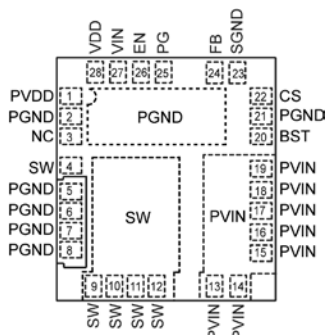
Brief Description

The ZSPM4023 and ZSPM4022 product families are constant-frequency, synchronous DC/DC buck regulators featuring adaptive on-time control architecture. The output voltage is adjustable down to 0.8V. The ZSPM4023 family operates over a supply range of 4.5V to 28V (24V typical). The supply range for the ZSPM4022 family is 4.5V to 19V (12V typical). Both families have an internal linear regulator that provides a regulated 5V to power the internal control circuitry. They operate at a constant 600kHz switching frequency in continuous-conduction mode. Each IC family includes three product versions that support different maximum load capabilities: 6A, 9A, and 12A.

Under medium to heavy loads, the ZSPM4023 and ZSPM4022 provide high efficiency and ultra-fast transient response via their rapid-control architecture. Under light load conditions, they maintain high efficiency and a superior transient response by transitioning to variable-frequency, discontinuous mode operation with their ultra-light-load architecture.

Both families offer a full suite of protection features to ensure protection of the IC during fault conditions. These include under-voltage lockout to ensure proper operation under power-sag conditions; thermal shutdown; internal soft-start to reduce inrush current; foldback current limiting; and “hiccup” mode short-circuit protection. A power good (PG) output pin is provided to allow simple sequencing.

Pin Configuration



Benefits

- Ultra-light load efficiency – up to 80% at 10mA
- Up to 95% efficiency
- Feedback reference accuracy as high as ±1%

Features

- Rapid-control architecture enables operation with a high input/output voltage ratio (e.g., for the ZSPM4023, $V_{IN} = 28V$ and $V_{OUT} = 0.8V$) and a small output capacitance
- Adjustable output voltage from 0.8V to 5.5V
- Universally compatible with most output capacitors – stable with zero to high ESR
- Power good (PG) output
- Foldback current limiting and “hiccup” mode short-circuit protection
- Safe start-up into pre-biased loads

Available Support

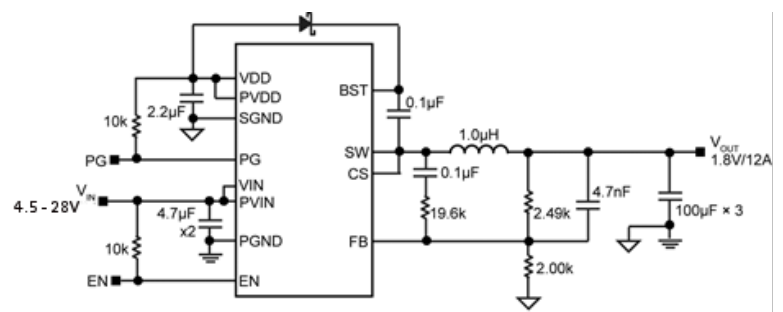
- Evaluation Kit
- Support documentation

Physical Characteristics

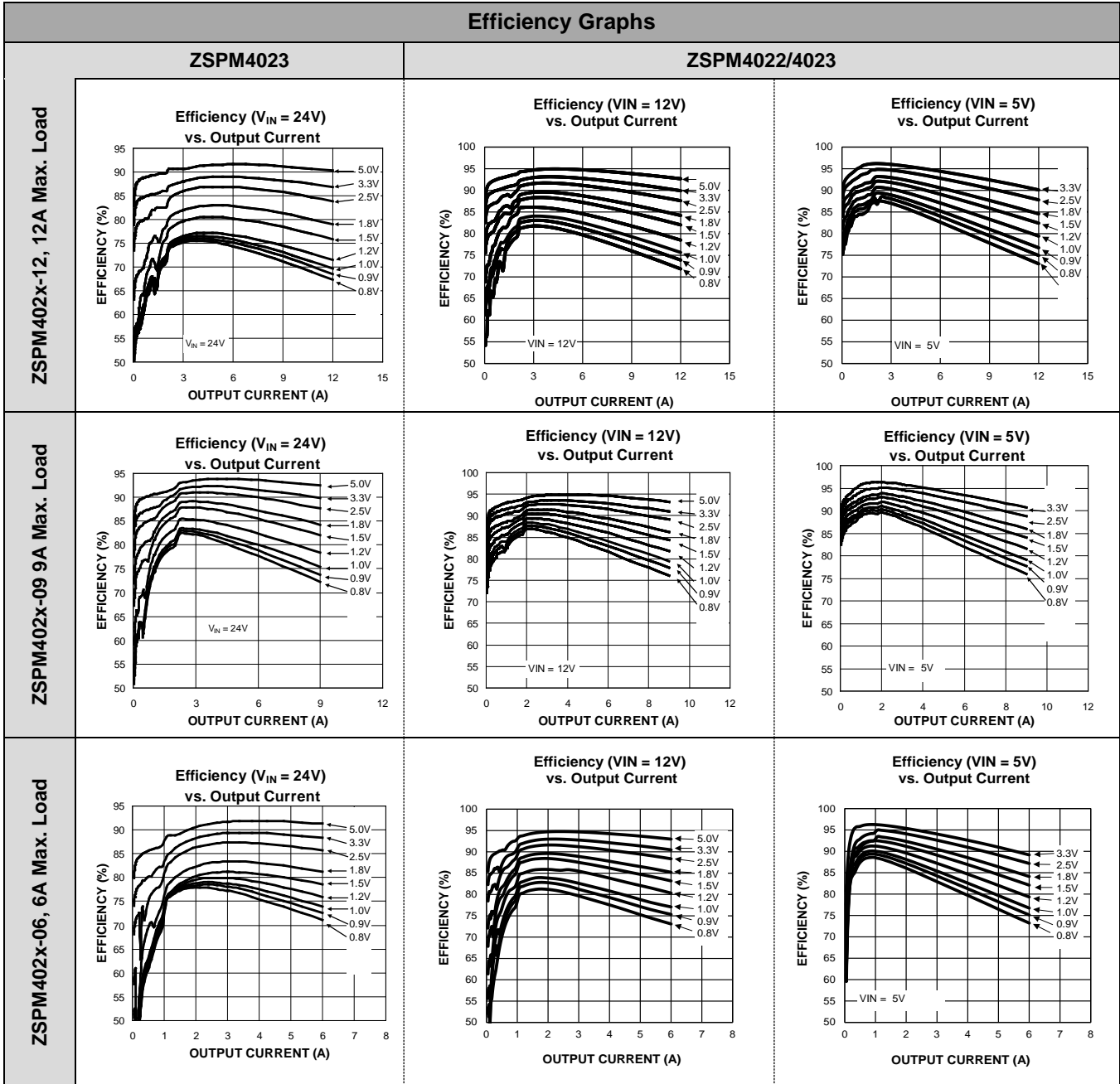
- Switching frequency: 600kHz
- Junction temperature: $-40^{\circ}C$ to $+125^{\circ}C$
- 28-pin QFN package (5mm × 6mm)

V_{IN}	12A	9A	6A
4.5V to 19V	ZSPM4022-12	ZSPM4022-09	ZSPM4022-06
4.5V to 28V	ZSPM4023-12	ZSPM4023-09	ZSPM4023-06

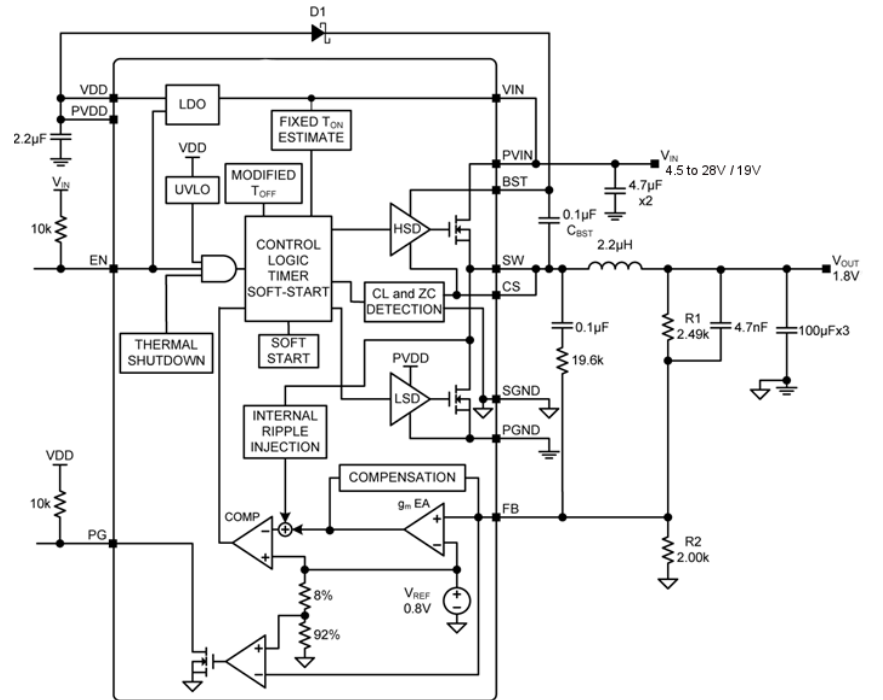
Example Application Circuit: ZSPM4023-12



Efficiency Graphs



ZSPM4023/ZSPM4022 Functional Diagram



Typical Applications

- ❖ Servers, workstations
- ❖ Routers, switches, and telecommunication equipment
- ❖ Base stations
- ❖ STB, high-end consumer electronics
- ❖ Distributed point-of-load

Ordering Information

Sales Code	Description	Package
ZSPM4022AA1W06	ZSPM4022-06, QFN28 5mmx6mm, 6A max. — Temperature range: -40°C to +125°C	7" Reel with 1000 ICs
ZSPM4022AA1W09	ZSPM4022-09, QFN28 5mmx6mm, 9A max. — Temperature range: -40°C to +125°C	7" Reel with 1000 ICs
ZSPM4022AA1W12	ZSPM4022-12, QFN28 5mmx6mm, 12A max. — Temperature range: -40°C to +125°C	7" Reel with 1000 ICs
ZSPM4023AA1W06	ZSPM4023-06, QFN28 5mmx6mm, 6A max. — Temperature range: -40°C to +125°C	7" Reel with 1000 ICs
ZSPM4023AA1W09	ZSPM4023-09, QFN28 5mmx6mm, 9A max. — Temperature range: -40°C to +125°C	7" Reel with 1000 ICs
ZSPM4023AA1W12	ZSPM4023-12, QFN28 5mmx6mm, 12A max.— Temperature range: -40°C to +125°C	7" Reel with 1000 ICs
ZSPM402x-yy-KIT	Evaluation Kit, including ZSPM402x-yy Evaluation Board (substitute product number for ZSPM402x-yy when ordering; e.g., ZSPM4022-06-KIT)	Kit



Corporate Headquarters
6024 Silver Creek Valley Road
San Jose, CA 95138
www.IDT.com

Sales
1-800-345-7015 or 408-284-8200
Fax: 408-284-2775
www.IDT.com/go/sales

Tech Support
www.IDT.com/go/support

DISCLAIMER Integrated Device Technology, Inc. (IDT) reserves the right to modify the products and/or specifications described herein at any time, without notice, at IDT's sole discretion. Performance specifications and operating parameters of the described products are determined in an independent state and are not guaranteed to perform the same way when installed in customer products. The information contained herein is provided without representation or warranty of any kind, whether express or implied, including, but not limited to, the suitability of IDT's products for any particular purpose, an implied warranty of merchantability, or non-infringement of the intellectual property rights of others. This document is presented only as a guide and does not convey any license under intellectual property rights of IDT or any third parties.

IDT's products are not intended for use in applications involving extreme environmental conditions or in life support systems or similar devices where the failure or malfunction of an IDT product can be reasonably expected to significantly affect the health or safety of users. Anyone using an IDT product in such a manner does so at their own risk, absent an express, written agreement by IDT.

Integrated Device Technology, IDT and the IDT logo are trademarks or registered trademarks of IDT and its subsidiaries in the United States and other countries. Other trademarks used herein are the property of IDT or their respective third party owners. For datasheet type definitions and a glossary of common terms, visit www.idt.com/go/glossary. All contents of this document are copyright of Integrated Device Technology, Inc. All rights reserved.