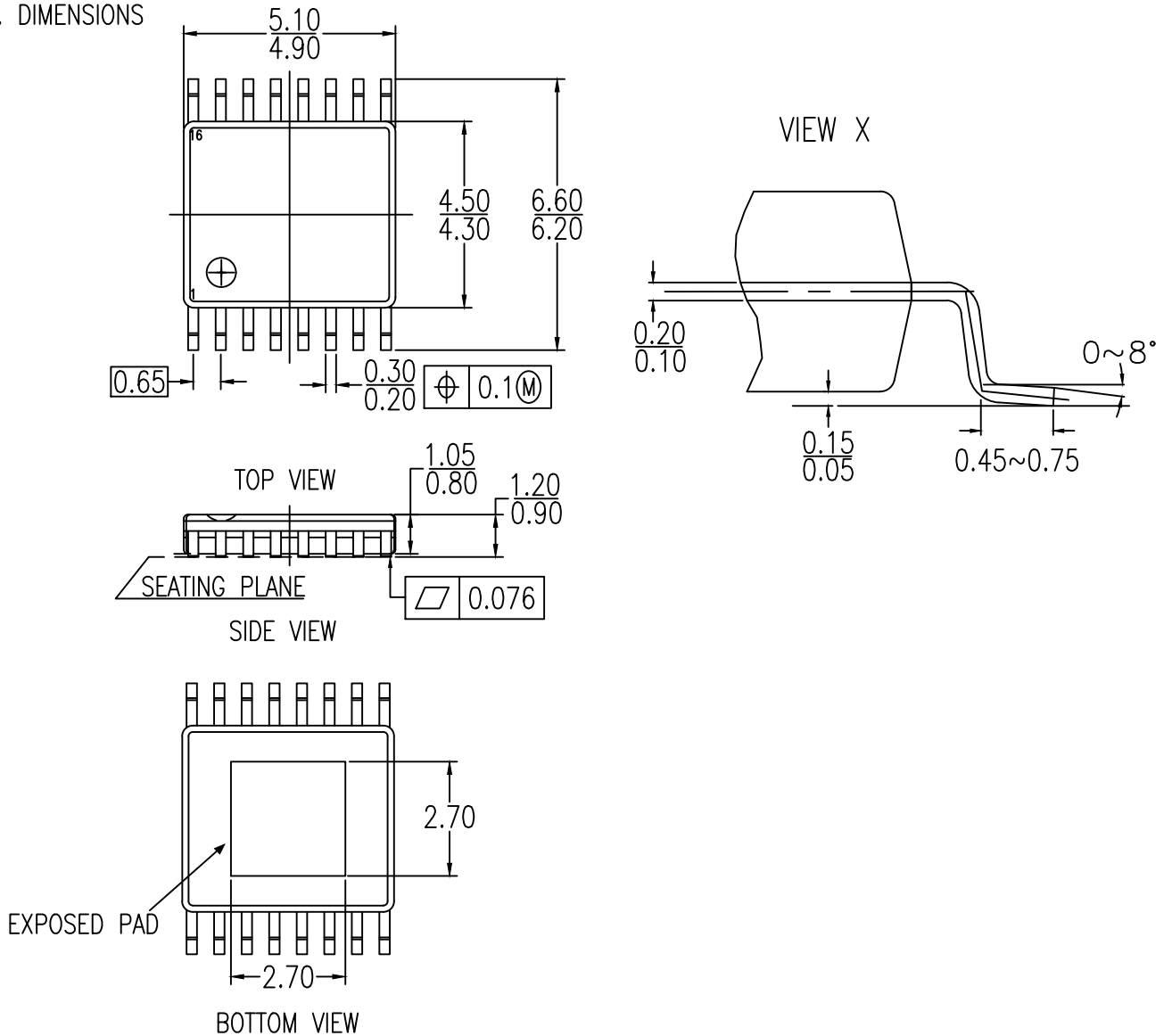


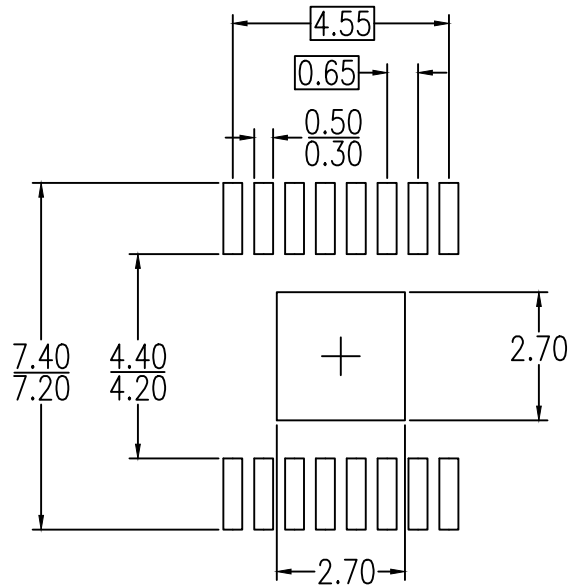
BASED ON JEDEC JEP95: MO-153

1. DIMENSIONS



- 2. WEIGHT  $\leq 0.05$  g
- 3. BODY MATERIAL LOW STRESS EPOXY
- 4. LEAD MATERIAL Cu-ALLOY
- 5. LEAD FINISH SOLDER PLATING
- 6. LEAD FORM Z-BENDS

\* WITHOUT MOLD FLASH  
DIMENSIONS IN MILLIMETERS



LAND PATTERN DIMENSIONS

NOTE:

1. ALL DIMENSIONS ARE IN MILLIMETERS

| Package Revision History |         |                 |
|--------------------------|---------|-----------------|
| Date Created             | Rev No. | Description     |
| August 29,2019           | Rev 00  | Initial Release |