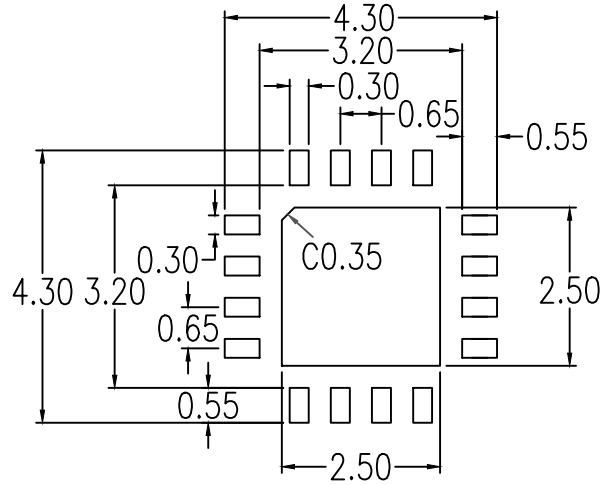


NOTES:

1. ALL DIMENSIONS IN MM.
2. THE DIMENSION AND TOLERANCING MEET ASME Y-14.5M-1994



RECOMMENDED LAND PATTERN DIMENSION

NOTES:

1. ALL DIMENSIONS IN MM. ANGLES IN DEGREES.
2. TOP DOWN VIEW, AS VIEW ON PCB.
3. LAND PATTERN RECOMMENDATION AS PER IPC-7351B.
GENERIC REQUIREMENT FOR SURFACE MOUNT DESIGN AND LAND PATTERN.

Package Revision History		
Date Created	Rev No.	Description
May 06, 2019	Rev 00	Initial Release