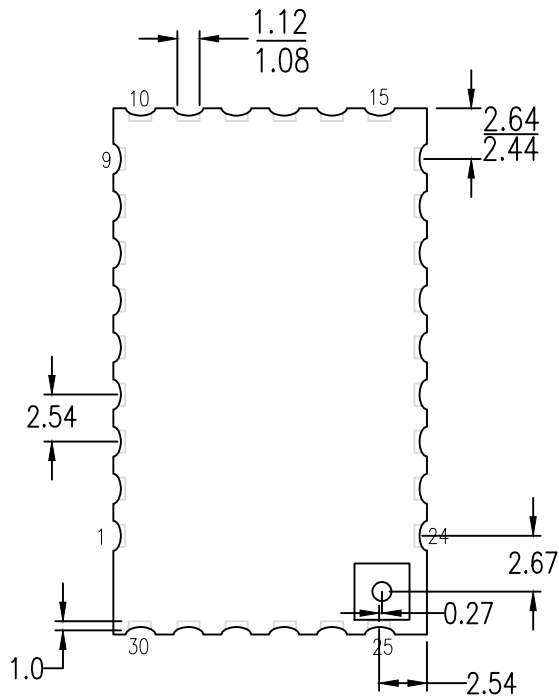
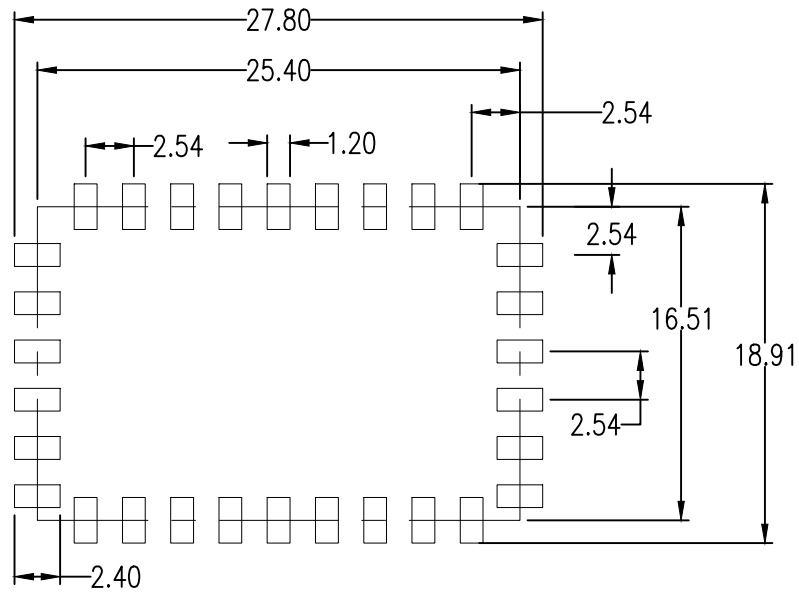


SIDE VIEW

TOP VIEW



BOTTOM VIEW



RECOMMENDED LAND PATTERN

NOTES:

1. ALL DIMENSIONS ARE IN MM
2. TOP DOWN VIEW AS VIEWED ON PCB

Package Revision History		
Date Created	Rev No.	Description
Oct 31, 2018	Rev 00	Initial Release