

1.0 GENERAL DESCRIPTION

The IDT82V2058 is a full featured octal E1 line interface unit and is a pin compatible, functional superset of the Intel (previously Level One) LXT380/385, octal E1 LIU. For the remainder of this document references to LXT385 also apply to the LXT380. Both devices provide the same register mapping and functions during normal operation. In addition, the IDT82V2058 offers an expanded register bank to allow increased flexibility and functionality when using a host controller. Converting designs using the LXT385 to the IDT82V2058 is a straightforward process involving minimal hardware changes. Software adjustments need only be made in applications where it is intended to access the enhanced register set of the IDT device. The primary purpose of this application note is to describe the differences between the LXT385 and the IDT82V2058 and highlight the design considerations that come into play when converting an existing LXT385 design.

2.0 REGISTERS

The register sets of the IDT82V2058 can be divided into Primary Registers and Expanded Registers. The Primary Registers of the IDT82V2058 are the same as those of the LXT385, with an added ADDP (Address Pointer) register. The address of the ADDP register in the IDT device is 1F (Hex), which is a reserved address in the LXT385. Writing "AA Hex" to this register will switch to the Expanded Registers of the IDT82V2058. (**Table 1** shows the Registers in the LXT385 and the Primary Registers in the IDT82V2058).

The functions controlled by the Expanded Registers are available only with the IDT device as the LXT385 does not offer these registers. Thus, when using only the Primary Registers, the two devices are completely software compatible but to take advantage of IDT's additional features and flexibility some software must be added to source code written for the LXT385. **Table 2** shows the Expanded Registers of the IDT82V2058. Writing "00 Hex" to the "Address Pointer" register will switch back to Primary Registers.

Table 1. Primary Register

Address (Hex)	LXT385	IDT82V2058
00 - 15	Registers	Primary Registers
16 - 1E	Reserved	Reserved
1F	Reserved	ADDP (Address Pointer), write "AA Hex" to this register will switch to Expanded Registers.

Table 2. Expanded Register

Address (Hex)	Register Name
00	e-SING (Single Rail Mode Setting)
01	e-CODE (Encoder/Decoder Selection)
02	e-CRS (Clock Recovery Enable/Disable)
03	e-RPDN (Receiver Power Down Enable/Disable)
04	e-TPDN (Transmitter Power Down Enable/Disable)
05	e-CZER (Consecutive Zero Detect Enable/Disable)
06	e-CODV (Code Violation Detect Enable/Disable)
07	e-EQUA (Equalizer Enable/Disable)
08 - 1E	Registers for testing. Default is 0, users should not change the default value
1F	ADDP, writing "00 Hex" to this register will switch to Primary Registers

3.0 WORKING WITHOUT MCLK

When MCLK is not available (High/Low), the Receive Path of the IDT82V2058 is the same as the LXT385, but the Transmit Path is different. For the IDT82V2058, if MCLK is not available, TCLK1 will be internally used as a virtual MCLK for transmit path (The status of the Receive Path is still determined by the real MCLK pin). As a result, similar operation can be achieved without an MCLK signal but, in this case, care must be taken to always supply TCLK1 for normal operation. If neither MCLK nor TCLK1 is available, the IDT82V2058 will put all the TTIPn and TRINGn in high impedance states. These operational modes are tabulated below.

4.0 EXTERNAL COMPONENTS

The transmit impedance on the line side between the IDT82V2058 and the LXT385 is slightly different. When converting an LXT385 design to the IDT82V2058, the performance will be better if the external transmit resistors and capacitor are modified. The recommended application circuit for the IDT82V2058 is shown in **Figure-1**. It is the same as that of the LXT385, except that the value of R_T is 9.5 Ohm +/- 1%. The LXT385 datasheet recommends an R_T value of 11 Ohm +/- 1%. In addition, the recommended value of C_P is 560 pF for the LXT385, whereas IDT recommends using a C_P value that is tuned to the line condition.

Table 3. MCLK and TCLK

MCLK	TCLKn (n=0-7 for LXT385) (n=0,2-7 for 2058)	Operation Mode of the Transmit Path		
		LXT385	IDT82V2058	
H/L	H	Transmit pulse-shaping is disabled.	TCLK1 is clocked	Transmit all ones
			TCLK1 is H/L	Transmit is high impedance
H/L	Clocked	Transmit with pulse-shaping	TCLK1 is clocked	Transmit with pulse-shaping
			TCLK1 is H/L	Transmit is high impedance

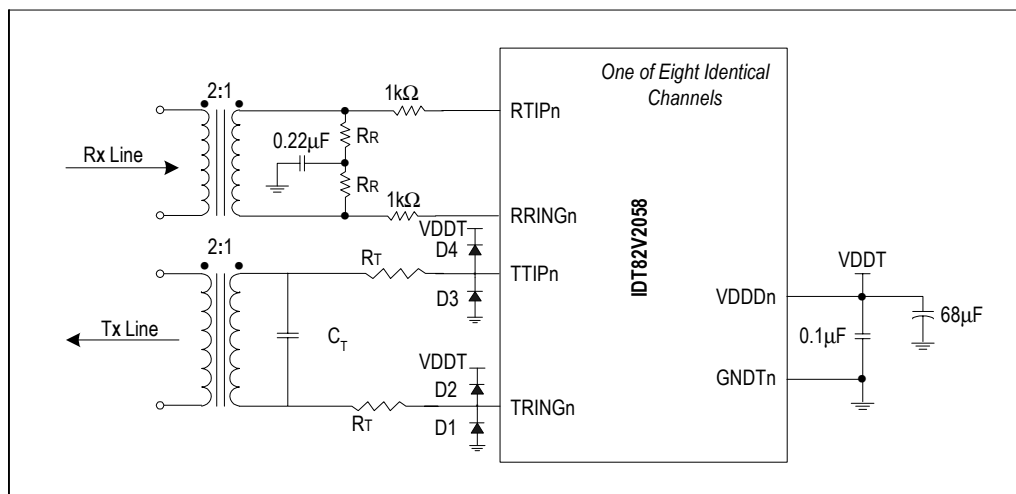


Figure 1. Recommended Application Circuit

5.0 JITTER ATTENUATOR 3DB CORNER FREQUENCY

The selection of the jitter attenuator 3dB corner frequency is different between the LXT385 and the IDT82V2058. Bit 2 in the Global Control Register (0F Hex) is named JACF bit in the LXT385, but the same bit is named JABW in the IDT82V2058. This bit and the depth of the jitter attenuator FIFO will affect the value of the jitter attenuator 3dB corner frequency in the LXT385. In the IDT82V2058, only the JABW bit will affect the jitter attenuator 3dB corner frequency. **Table 4** describes the details.

6.0 LPn SETTING (LOOP-BACK SELECTION PIN)

In hardware mode, the status of LPn pin decides the loop back configuration of the corresponding port. For "No Loop back" setting, LXT385 and IDT82V2058 are different. (Refer to **Table 5**)

Table 4. Jitter Attenuator 3dB Corner Frequency

	LXT385			IDT82V2058		
	E1 jitter attenuator 3 dB corner frequency, host mode	32 bit FIFO	2.5 Hz	JACF does not affect this figure	JABW=0	1.7 Hz
64 bit FIFO		3.5 Hz	JABW=1		6.5 Hz	
Jitter attenuator 3dB corner frequency, hardware mode	E1	3.5 Hz	JACF and FIFO do not affect this figure	E1	1.7 Hz	JACF and FIFO do not affect this figure

Table 5. LPn Setting

	LXT385	IDT82V2058
No Loop Back	LPn = Not connected	LPn = 0.5 * VDDIO
Remote Loop Back	LPn = Low	LPn = Low
Analog Loop Back	LPn = High	LPn = High

Table 6. JAS Pin Selection

JAS(IDT)/JASEL(LXT385)	JA Position in LXT385	JA Position in IDT82V2058
L	Transmit Path	Transmit Path
H	Receive Path	Receive Path
High Z	Disabled	Uncertain
VDDIO/2	Uncertain	Disabled

7.0 JAS PIN SELECTION

In hardware mode, the status of the JAS pin (Pin # 87 QFP or Pin #J11 BGA) determines where to put the Jitter Attenuator. The LXT385 is different from the IDT82V2058 on this point. (Refer to **Table 6**)

8.0 DEFAULT VALUE OF RS REGISTER (RESET REGISTER, ADDRESS IS 0A HEX)

Writing to this register will set all registers to their default values. The default value of the RS register in the LXT385 is "00 Hex", but is "FF Hex" in the IDT82V2058.

Notice

1. Descriptions of circuits, software and other related information in this document are provided only to illustrate the operation of semiconductor products and application examples. You are fully responsible for the incorporation or any other use of the circuits, software, and information in the design of your product or system. Renesas Electronics disclaims any and all liability for any losses and damages incurred by you or third parties arising from the use of these circuits, software, or information.
2. Renesas Electronics hereby expressly disclaims any warranties against and liability for infringement or any other claims involving patents, copyrights, or other intellectual property rights of third parties, by or arising from the use of Renesas Electronics products or technical information described in this document, including but not limited to, the product data, drawings, charts, programs, algorithms, and application examples.
3. No license, express, implied or otherwise, is granted hereby under any patents, copyrights or other intellectual property rights of Renesas Electronics or others.
4. You shall not alter, modify, copy, or reverse engineer any Renesas Electronics product, whether in whole or in part. Renesas Electronics disclaims any and all liability for any losses or damages incurred by you or third parties arising from such alteration, modification, copying or reverse engineering.
5. Renesas Electronics products are classified according to the following two quality grades: "Standard" and "High Quality". The intended applications for each Renesas Electronics product depends on the product's quality grade, as indicated below.
 - "Standard": Computers; office equipment; communications equipment; test and measurement equipment; audio and visual equipment; home electronic appliances; machine tools; personal electronic equipment; industrial robots; etc.
 - "High Quality": Transportation equipment (automobiles, trains, ships, etc.); traffic control (traffic lights); large-scale communication equipment; key financial terminal systems; safety control equipment; etc.Unless expressly designated as a high reliability product or a product for harsh environments in a Renesas Electronics data sheet or other Renesas Electronics document, Renesas Electronics products are not intended or authorized for use in products or systems that may pose a direct threat to human life or bodily injury (artificial life support devices or systems; surgical implantations; etc.), or may cause serious property damage (space system; undersea repeaters; nuclear power control systems; aircraft control systems; key plant systems; military equipment; etc.). Renesas Electronics disclaims any and all liability for any damages or losses incurred by you or any third parties arising from the use of any Renesas Electronics product that is inconsistent with any Renesas Electronics data sheet, user's manual or other Renesas Electronics document.
6. When using Renesas Electronics products, refer to the latest product information (data sheets, user's manuals, application notes, "General Notes for Handling and Using Semiconductor Devices" in the reliability handbook, etc.), and ensure that usage conditions are within the ranges specified by Renesas Electronics with respect to maximum ratings, operating power supply voltage range, heat dissipation characteristics, installation, etc. Renesas Electronics disclaims any and all liability for any malfunctions, failure or accident arising out of the use of Renesas Electronics products outside of such specified ranges.
7. Although Renesas Electronics endeavors to improve the quality and reliability of Renesas Electronics products, semiconductor products have specific characteristics, such as the occurrence of failure at a certain rate and malfunctions under certain use conditions. Unless designated as a high reliability product or a product for harsh environments in a Renesas Electronics data sheet or other Renesas Electronics document, Renesas Electronics products are not subject to radiation resistance design. You are responsible for implementing safety measures to guard against the possibility of bodily injury, injury or damage caused by fire, and/or danger to the public in the event of a failure or malfunction of Renesas Electronics products, such as safety design for hardware and software, including but not limited to redundancy, fire control and malfunction prevention, appropriate treatment for aging degradation or any other appropriate measures. Because the evaluation of microcomputer software alone is very difficult and impractical, you are responsible for evaluating the safety of the final products or systems manufactured by you.
8. Please contact a Renesas Electronics sales office for details as to environmental matters such as the environmental compatibility of each Renesas Electronics product. You are responsible for carefully and sufficiently investigating applicable laws and regulations that regulate the inclusion or use of controlled substances, including without limitation, the EU RoHS Directive, and using Renesas Electronics products in compliance with all these applicable laws and regulations. Renesas Electronics disclaims any and all liability for damages or losses occurring as a result of your noncompliance with applicable laws and regulations.
9. Renesas Electronics products and technologies shall not be used for or incorporated into any products or systems whose manufacture, use, or sale is prohibited under any applicable domestic or foreign laws or regulations. You shall comply with any applicable export control laws and regulations promulgated and administered by the governments of any countries asserting jurisdiction over the parties or transactions.
10. It is the responsibility of the buyer or distributor of Renesas Electronics products, or any other party who distributes, disposes of, or otherwise sells or transfers the product to a third party, to notify such third party in advance of the contents and conditions set forth in this document.
11. This document shall not be reprinted, reproduced or duplicated in any form, in whole or in part, without prior written consent of Renesas Electronics.
12. Please contact a Renesas Electronics sales office if you have any questions regarding the information contained in this document or Renesas Electronics products.

(Note1) "Renesas Electronics" as used in this document means Renesas Electronics Corporation and also includes its directly or indirectly controlled subsidiaries.

(Note2) "Renesas Electronics product(s)" means any product developed or manufactured by or for Renesas Electronics.

(Rev.4.0-1 November 2017)

Corporate Headquarters

TOYOSU FORESIA, 3-2-24 Toyosu,
Koto-ku, Tokyo 135-0061, Japan
www.renesas.com

Contact Information

For further information on a product, technology, the most up-to-date version of a document, or your nearest sales office, please visit:
www.renesas.com/contact/

Trademarks

Renesas and the Renesas logo are trademarks of Renesas Electronics Corporation. All trademarks and registered trademarks are the property of their respective owners.