

ICS525 Demo Board

The ICS525 OSCAR™ demo board provides a way to quickly evaluate the performance of the ICS525 family of programmable oscillator replacement clock generators. The connector on the bottom of the board fits a standard oscillator footprint, or can be easily modified to fit a half-size footprint.

Frequency Selection

The output frequency can be changed by setting the dip switches according to the instructions in the datasheet. Turning the switch ON connects the input to GROUND. Turning the switch OFF connects the input to VDD as all inputs have on-chip pull-ups. A calculation program which determines input settings can be found at:

<http://www.icst.com/calculators/ics525inputForm.html>

Output Termination

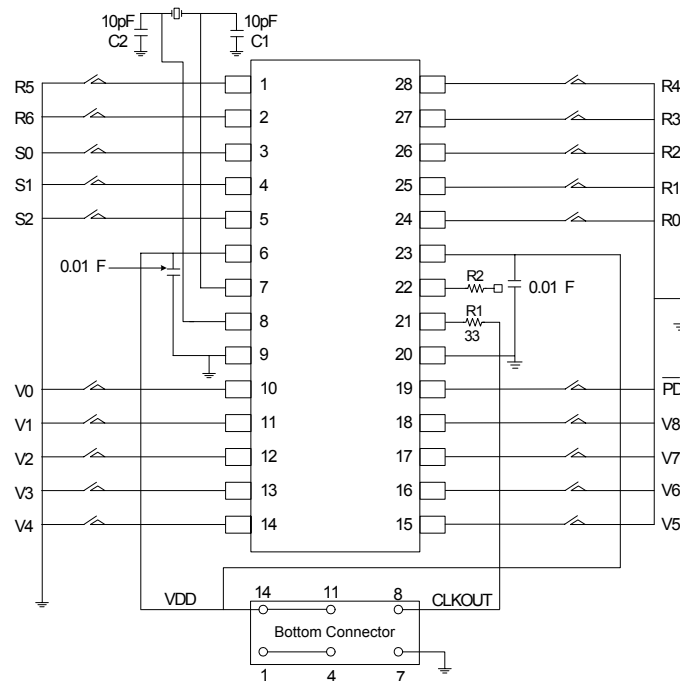
Resistor R1 is a 33Ω series termination resistor on the pin 21 clock output. It can be moved to the R2 location to evaluate the clock output on pin 22.

Crystal Tuning

The ICS525 family has on-chip crystal load capacitors which will provide accurate frequency output with 13 pF parallel resonant crystals. Crystals with any load capacitance value, or even series resonant crystals, will operate. However, the frequency will be off by up to 500 ppm (0.05%). To get an accurate frequency output by adjusting the board to a crystal with a different value of load capacitance, use the following formula

$$C1, C2 = 2(C_L (\text{crystal}) - 13)$$

The 10 pF capacitors on the board adjust the load capacitance of the part so that the frequency is correct when used with an 18 pF parallel resonant crystal.



IMPORTANT NOTICE AND DISCLAIMER

RENESAS ELECTRONICS CORPORATION AND ITS SUBSIDIARIES (“RENESAS”) PROVIDES TECHNICAL SPECIFICATIONS AND RELIABILITY DATA (INCLUDING DATASHEETS), DESIGN RESOURCES (INCLUDING REFERENCE DESIGNS), APPLICATION OR OTHER DESIGN ADVICE, WEB TOOLS, SAFETY INFORMATION, AND OTHER RESOURCES “AS IS” AND WITH ALL FAULTS, AND DISCLAIMS ALL WARRANTIES, EXPRESS OR IMPLIED, INCLUDING, WITHOUT LIMITATION, ANY IMPLIED WARRANTIES OF MERCHANTABILITY, FITNESS FOR A PARTICULAR PURPOSE, OR NON-INFRINGEMENT OF THIRD PARTY INTELLECTUAL PROPERTY RIGHTS.

These resources are intended for developers skilled in the art designing with Renesas products. You are solely responsible for (1) selecting the appropriate products for your application, (2) designing, validating, and testing your application, and (3) ensuring your application meets applicable standards, and any other safety, security, or other requirements. These resources are subject to change without notice. Renesas grants you permission to use these resources only for development of an application that uses Renesas products. Other reproduction or use of these resources is strictly prohibited. No license is granted to any other Renesas intellectual property or to any third party intellectual property. Renesas disclaims responsibility for, and you will fully indemnify Renesas and its representatives against, any claims, damages, costs, losses, or liabilities arising out of your use of these resources. Renesas' products are provided only subject to Renesas' Terms and Conditions of Sale or other applicable terms agreed to in writing. No use of any Renesas resources expands or otherwise alters any applicable warranties or warranty disclaimers for these products.

(Rev.1.0 Mar 2020)

Corporate Headquarters

TOYOSU FORESIA, 3-2-24 Toyosu,
Koto-ku, Tokyo 135-0061, Japan
www.renesas.com

Contact Information

For further information on a product, technology, the most up-to-date version of a document, or your nearest sales office, please visit:
www.renesas.com/contact/

Trademarks

Renesas and the Renesas logo are trademarks of Renesas Electronics Corporation. All trademarks and registered trademarks are the property of their respective owners.