

Contents

| | | |
|-------|--|----|
| 1 | Introduction..... | 2 |
| 2 | Protection Functions..... | 2 |
| 3 | Values and Purpose of the External Components | 3 |
| 4 | Behavior when Supply Voltage < VDDE _{MIN} | 4 |
| 5 | Behavior at Nominal Supply Voltage..... | 4 |
| 6 | Behavior during Short Circuit or Overvoltage (Maximum: 7.7V) | 5 |
| 7 | Behavior for Open or Short Circuit Conditions (VDDE - VSSE = 4.5V to 5.5V) | 7 |
| 8 | Overvoltage Protection..... | 10 |
| 9 | Output Current Limitation for PIN AOUT1 and AOUT2..... | 10 |
| 10 | Supply Voltage Behavior (without Time Limits)..... | 10 |
| 11 | EMC Specification | 11 |
| 11.1. | Behavior during Applications of Test Pulses | 11 |
| 11.2. | Strength against Test Pulses (<i>DIN 40839 Part1</i>) | 12 |
| 11.3. | Electromagnetic Emission | 12 |
| 12 | Related Documents..... | 13 |
| 13 | Glossary | 13 |
| 14 | Document Revision History..... | 13 |

List of Figures

| | | |
|-------------|--|----|
| Figure 2.1 | Application Circuit with Two Analog Outputs and Diagnostic Fault Band Level Low | 2 |
| Figure 2.2 | Application Circuit with Two Analog Outputs and Diagnostic Fault Band Level High | 2 |
| Figure 6.1 | Short or Overvoltage Conditions..... | 5 |
| Figure 7.1: | Lost Connection (Open) or Short Conditions (VDDE – VSSE = 4.5V to 5.5V) | 7 |
| Figure 10.1 | Behavior over Full Supply Voltage Range..... | 11 |

List of Tables

| | | |
|------------|---|----|
| Table 3.1 | External Components for Protection..... | 3 |
| Table 4.1 | Behavior when Supply Voltage < VDDE _{MIN} | 4 |
| Table 5.1 | Behavior when 4.5V ≤ (VDDE-VSSE) ≤ 5.5V | 4 |
| Table 6.1 | Short Circuit or Overvoltage Conditions (Maximum: 7.7V)..... | 6 |
| Table 7.1 | Effects of Lost Connections (Open) and/or Short Conditions (VDDE - VSSE = 4.5V to 5.5V) | 8 |
| Table 10.1 | Supply Voltage Behavior | 10 |
| Table 11.1 | Test Pulses 3a, 3b Severity IV according to DIN 40839 Part 1, Capacitive Coupling AOUT1 or AOUT2 Pin..... | 12 |

1 Introduction

This technical note defines the operation of the ZSSC3154 under varying supply voltage and load conditions. If not stated otherwise, the specified parameters and behavior are valid for the full specified temperature range.

2 Protection Functions

The ZSSC3154 provides short-pin protection, lost-pin detection, and over-voltage protection for the external connections in the application circuit: VCC (VDDE pin), AOUT1, AOUT2, and GND (VSSE pin). The components and configuration of the basic application circuit shown Figure 2.1 or Figure 2.2 (also given in section 3 of the ZSSC3154 Data Sheet) are required in order to guarantee these protection parameters.

Figure 2.1 Application Circuit with Two Analog Outputs and Diagnostic Fault Band Level Low

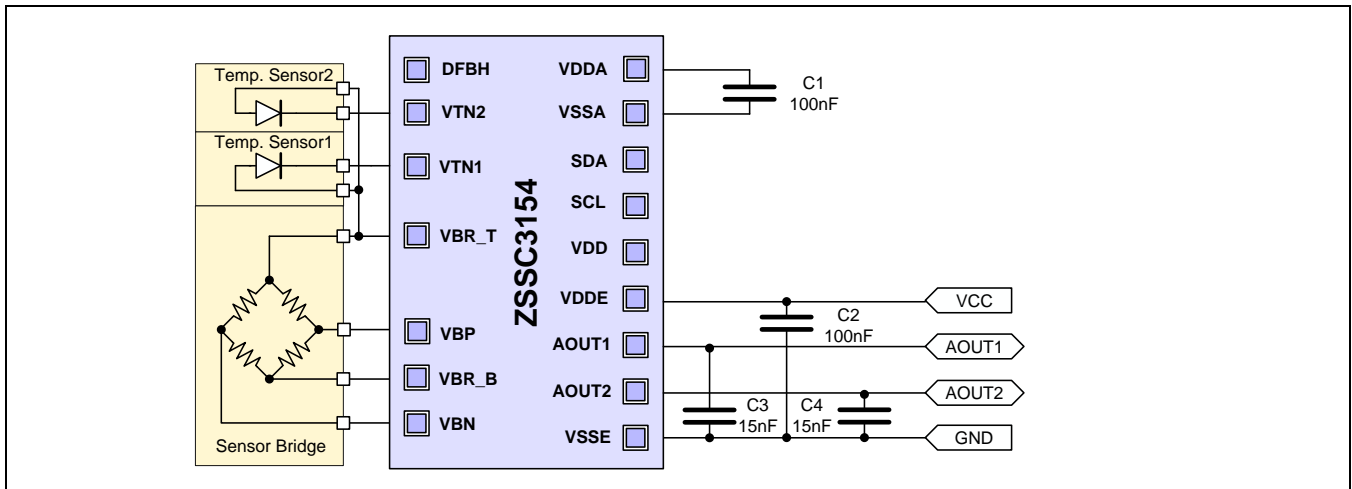
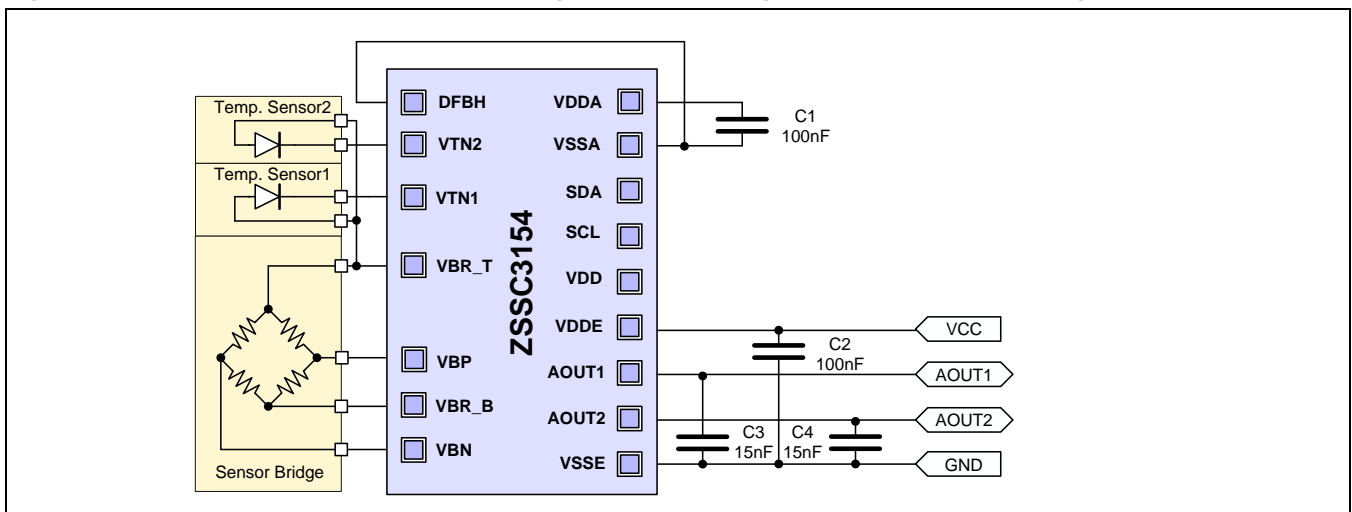


Figure 2.2 Application Circuit with Two Analog Outputs and Diagnostic Fault Band Level High



3 Values and Purpose of the External Components

Table 3.1 gives the typical values, ratings, and purpose for the required external components shown in Figure 2.1 and Figure 2.2. The purpose for C1, C2, C3, and C4 is to reduce the positive and negative voltage spikes and reduce the RF emission.

Note: The capacitor values are must be adapted to the requirements of the specific application, in particular to the EMC requirements.

V_N is the manufacturer's maximum voltage rating for the capacitor.

Table 3.1 External Components for Protection

| | Component | SYMBOL | Parameter |
|---|--|--------|-------------------------------|
| 3.1. | Capacitor (VDDA to VSSA) | C1 | Typical 100nF, $V_N \geq 10V$ |
| 3.2. | Capacitor (VDDE to VSSE) | C2 | Typical 100nF, $V_N \geq 16V$ |
| 3.3. | Capacitor (AOUT1 to VSSE) ^{1,2} | C3 | Typical 15nF, $V_N \geq 16V$ |
| 3.4. | Capacitor (AOUT2 to VSSE) ^{2,3} | C4 | Typical 15nF, $V_N \geq 16V$ |
| <p>1. C3 is the sum of the load capacitance and the cable capacitance; refer to the ZSSC3154 Data Sheet for additional requirements.</p> <p>2. Requirements for external capacitance on these pins are not tested in mass production but are guaranteed by design and/or quality monitoring.</p> <p>3. C4 is the sum of the load capacitance and the cable capacitance; refer to the ZSSC3154 Data Sheet for additional requirements.</p> | | | |

4 Behavior when Supply Voltage < $V_{DDE_{MIN}}$

Table 4.1 Behavior when Supply Voltage < $V_{DDE_{MIN}}$

| | Condition | Behavior | ZSSC3154 Function |
|------|--|--|--|
| | $V_{DDE}=V_{CC}$, $V_{SSE}=GND$ | | |
| 4.1. | $V_{VSSE} = 0V$, $0V < V_{VDDE} < 1.5V$ $V_{AOUT1} = 0$ to V_{VDDE} $V_{AOUT2} = 0$ to V_{VDDE} | Output not specified. | Not specified. |
| 4.2. | $V_{VSSE} = 0V$, $1.5V \leq V_{VDDE} < V_{switch_on}$ ¹ $V_{AOUT1} = 0$ to V_{VDDE} $V_{AOUT2} = 0$ to V_{VDDE} | AOUT1 and AOUT2 switches to high impedance state. ² | ZSSC3154 is in the reset condition. |
| 4.3. | $V_{VSSE} = 0V$ $V_{AOUT1} = 0$ to V_{VDDE} $V_{AOUT2} = 0$ to V_{VDDE} $V_{switch_on} < V_{VDDE} < 4.5V$ ¹ | Internal current and voltage limitation. | ZSSC3154 is in the Normal Operation Mode (NOM); parameters are not guaranteed. |

1. V_{switch_on} depends on the Power-On-Reset (POR) level voltage:
Internal POR_off threshold = 3.3 V to 4.1 V ($V_{DDA} \rightarrow V_{SSA}$), internal POR_on threshold = 3.0 V to 3.8 V ($V_{DDA} \rightarrow V_{SSA}$)
Hysteresis POR_off - POR_on = 300mV (minimum), delay POR_off = 0.4ms to 2.5ms, delay POR_on = 0.2ms to 1.2ms.

2. High impedance state: $-40\mu A \leq I_{OUTLEAKAGE} \leq +40\mu A$; $I_{OUTLEAKAGE_typ} = \pm 13\mu A$ (at 25°C), where $I_{OUTLEAKAGE}$ is the leakage current of the AOUT1 and AOUT2 pins.

5 Behavior at Nominal Supply Voltage

Table 5.1 Behavior when $4.5V \leq (V_{DDE}-V_{SSE}) \leq 5.5V$

| | Condition | Behavior | ZSSC3154 Mode |
|------|--|--|---|
| | $V_{DDE}=V_{CC}$, $V_{SSE}=GND$ | | |
| 5.1. | $V_{VSSE} = 0V$ $V_{AOUT1} = 0$ to V_{VDDE} $V_{AOUT2} = 0$ to V_{VDDE} $4.5V \leq (V_{DDE}-V_{SSE}) \leq 5.5V$ | Internal current and voltage limitation. | Normal Operation Mode (NOM); parameters are guaranteed. |
| 5.2. | $V_{VSSE} = 0V$ $V_{AOUT1} = 0$ to V_{VDDE} $V_{AOUT2} = 0$ to V_{VDDE} $V_{VDDE} = 4.5V$ to $5.5V$ | Internal current and voltage limitation. | Internal EEPROM programming is possible when ZSSC3154 functions in Command Mode. The AOUT1 pin is used as the one-wire interface (OWI) pin. |

6 Behavior during Short Circuit or Overvoltage (Maximum: 7.7V)

Figure 6.1 illustrates the possible short or overvoltage conditions using the following switches to represent the fault condition possibilities: swvcc, swaout1, swaout2, and swgnd. Possible fault conditions represented are a direct short high to Vsupp (4.5V to 5.5V), a connection to Vsupp through a resistance Ry, a direct short to ground, a connection to ground through a resistance Rx, and an overvoltage condition of >5.5V up to 7.7V maximum (labeled 7.7V). See Table 6.1 for the effects of the various combinations of these conditions on the external connection lines.

Figure 6.1 Short or Overvoltage Conditions

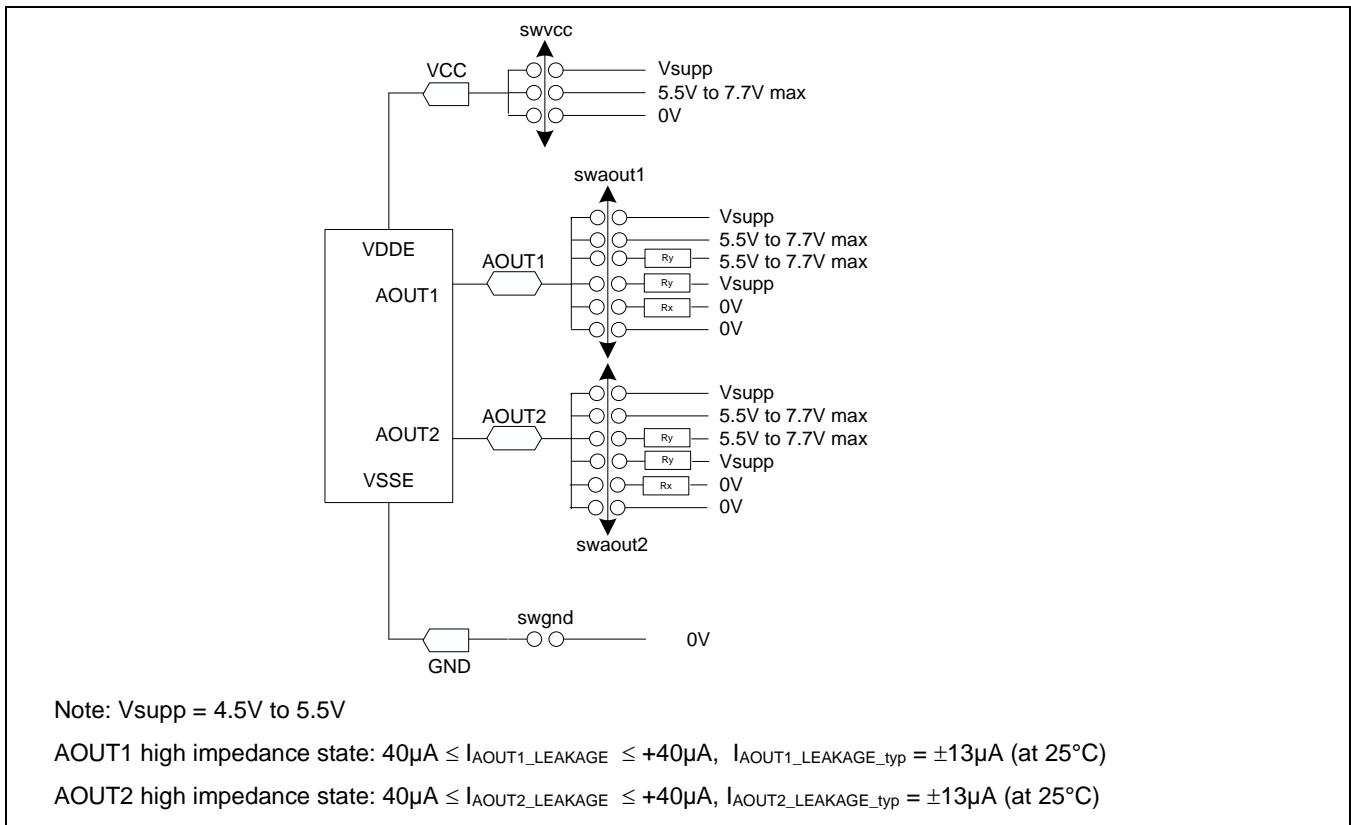


Table 6.1 Short Circuit or Overvoltage Conditions (Maximum: 7.7V)

An asterisk (*) indicates a current assumption at AOUT1 or AOUT2 of 25mA (max.).

| | Condition | | ZSSC3154 Behavior | ZSSC3154 Function |
|------|--------------------------------|----------------------------|--|---|
| | VDDE=VCC, VSSE=GND, swgnd = 0V | | | |
| | swvcc | swaout1 or swaout2 | | |
| 6.1. | +5.5 to +7.7V | Ry → +5.5 to +7.7V | Internal current and voltage limitation. | IC active → output signal in extended tolerance range * |
| 6.2. | +5.5 to +7.7V (VDDE=AOUT1) | +5.5 to +7.7V (VDDE=AOUT1) | Internal current and voltage limitation. | No output signal on AOUT 1 and AOUT2 |
| 6.3. | +5.5 to +7.7V (VDDE=AOUT2) | +5.5 to +7.7V (VDDE=AOUT2) | Internal current and voltage limitation. | No output signal on AOUT 1 and AOUT2 |
| 6.4. | +5.5 to +7.7V | Ry → Vsupp | Internal current and voltage limitation. | IC active → output signal in extended tolerance range * |
| 6.5. | +5.5 to +7.7V | Vsupp | Internal current and voltage limitation. | No output signal on AOUT 1 and AOUT2 |
| 6.6. | Vsupp | Ry → 5.5 to +7.7V | Internal current and voltage limitation. | IC active → output signal in extended tolerance range * |
| 6.7. | Vsupp | +5.5 to +7.7V | Internal current and voltage limitation. | No output signal on AOUT 1 and AOUT2* |
| 6.8. | +5.5 to +7.7V | Rx → 0V | Internal current and voltage limitation. | IC active → output signal in extended tolerance range * |
| 6.9. | +5.5 to +7.7V | 0V | Internal current and voltage limitation. | No output signal on AOUT 1 and AOUT2* |

7 Behavior for Open or Short Circuit Conditions (VDDE - VSSE = 4.5V to 5.5V)

Figure 7.1 illustrates the possible open or short conditions when the supply is within specifications. It uses the following switches to represent the fault condition possibilities: swvcc, swaout1, swaout2, and swgnd. Possible fault conditions represented in this case are an open on the supply to VDDE, an open on the connection to AOUT1 or AOUT2, an open on the GND connection to VSSE, a direct short to Vsupp (4.5V to 5.5V) on AOUT1 or AOUT2, a short to Vsupp through a resistance Ry on AOUT1 or AOUT2, a direct short to ground on AOUT1 or AOUT2, or a short to ground through a resistance Rx on AOUT1 or AOUT2. See Table 7.1 for the effects of the various combinations of these conditions on the external connection lines.

Figure 7.1: Lost Connection (Open) or Short Conditions (VDDE – VSSE = 4.5V to 5.5V)

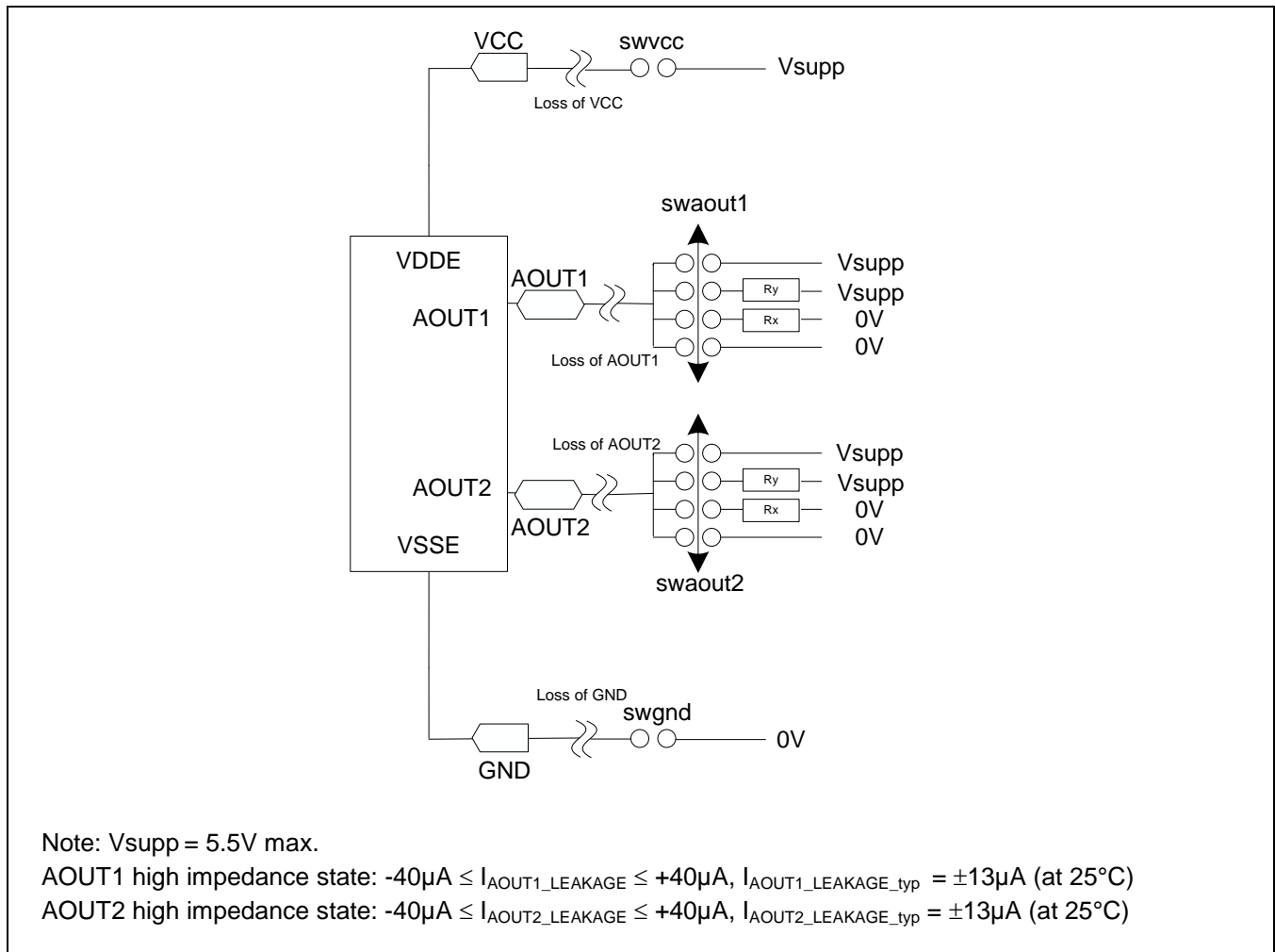


Table 7.1 Effects of Lost Connections (Open) and/or Short Conditions (VDDE - VSSE = 4.5V to 5.5V)

| | Condition | | | Function | Behavior |
|-------|---|----------|----------|--|--|
| | VDDE=VCC, VSSE=GND, swgnd=0V, swvcc=Vsupp | | | | |
| | Loss of or Shorted | swaout1 | swaout2 | | |
| 7.1. | VCC | Rx→0V | Not used | AOUT1 signal in DFB (diagnostic fault band). | AOUT1 switch is high impedance. |
| | | | Rx→0V | AOUT1 and AOUT2 signal in DFB. | AOUT1 and AOUT2 switch are high impedance. |
| | | | Ry→Vsupp | | |
| 7.2. | AOUT1 | Rx→0V | Not used | No AOUT1 signal. | |
| | | | Rx→0V | No AOUT1 signal; AOUT2 signal in normal range. | |
| | | | Ry→Vsupp | | |
| 7.3. | AOUT2 | Rx→0V | Rx→0V | AOUT1 signal in normal range; no AOUT2 signal. | |
| | | | Ry→Vsupp | | |
| 7.4. | GND | Rx→0V | Not used | AOUT1 signal in DFB. | AOUT1 switch is high impedance. |
| | | | Rx→0V | AOUT1 and AOUT2 signal in DFB. | AOUT1 and AOUT2 switch are high impedance. |
| | | | Ry→Vsupp | | |
| 7.5. | VCC | Ry→Vsupp | Not used | AOUT1 signal in DFB. | AOUT1 switch is high impedance. |
| | | | Rx→0V | AOUT1 and AOUT2 signal in DFB. | AOUT1 and AOUT2 switch are high impedance. |
| | | | Ry→Vsupp | | |
| 7.6. | AOUT1 | Ry→Vsupp | Not used | No AOUT1 signal. | |
| | | | Rx→0V | No AOUT1 signal; AOUT2 signal in normal range. | |
| | | | Ry→Vsupp | | |
| 7.7. | AOUT2 | Ry→Vsupp | Rx→0V | AOUT1 signal in normal range; no AOUT2 signal. | |
| | | | Ry→Vsupp | | |
| 7.8. | GND | Ry→Vsupp | Not used | AOUT1 signal in DFB. | AOUT1 switch is high impedance. |
| | | | Rx→0V | AOUT1 and AOUT2 signal in DFB. | AOUT1 and AOUT2 switch are high impedance. |
| | | | Ry→Vsupp | | |
| 7.9. | AOUT1 →VCC | Rx→0V | Not used | No AOUT1 signal. | |
| | | | Rx→0V | No AOUT1 signal; AOUT2 signal in normal range. | |
| | | | Ry→Vsupp | | |
| 7.10. | AOUT2 →VCC | Rx→0V | Rx→0V | AOUT1 signal in normal | |

| | Condition | | | Function | Behavior |
|-------|---|----------|----------|--|--|
| | VDDE=VCC, VSSE=GND, swgnd=0V, swvcc=Vsupp | | | | |
| | Loss of or Shorted | swaout1 | swaout2 | | |
| | | | Ry→Vsupp | range; no AOUT2 signal. | |
| 7.11. | AOUT1 →GND | Rx→0V | Not used | No AOUT1 signal. | |
| | | | Rx→0V | No AOUT1 signal; AOUT2 signal in normal range. | |
| | | | Ry→Vsupp | | |
| 7.12. | AOUT2 →GND | Rx→0V | Rx→0V | AOUT1 signal in normal range; no AOUT2 signal. | |
| | | | Ry→Vsupp | | |
| 7.13. | VCC →GND | Rx→0V | Not used | No AOUT1 signal. | |
| | | | Rx→0V | No AOUT1 and no AOUT2 signal. | |
| | | | Ry→Vsupp | No AOUT1 signal; AOUT2 signal in DFB. | |
| 7.14. | AOUT1 →VCC | Ry→Vsupp | Not used | No AOUT1 signal. | |
| | | | Rx→0V | No AOUT1 signal; AOUT2 signal in normal range. | |
| | | | Ry→Vsupp | | |
| 7.15. | AOUT2 →VCC | Ry→Vsupp | Rx→0V | AOUT1 signal in normal range; no AOUT2 signal. | |
| | | | Ry→Vsupp | | |
| 7.16. | AOUT1 →GND | Ry→Vsupp | Not used | No AOUT1 signal. | |
| | | | Rx→0V | No AOUT1 signal; AOUT2 signal in normal range. | |
| | | | Ry→Vsupp | | |
| 7.17. | AOUT2 →GND | Ry→Vsupp | Rx→0V | AOUT1 signal in normal range; no AOUT2 signal. | |
| | | | Ry→Vsupp | | |
| 7.18. | VCC →GND | Ry→Vsupp | Not used | AOUT1 signal in DFB. | AOUT switches to high impedance state. |
| | | | Rx→0V | AOUT1 signal and AOUT2 signal in DFB. | |
| | | | Ry→Vsupp | | |

8 Overvoltage Protection

The ZSSC3154 pins VDDE, VSSE, AOUT1 and AOUT2 are protected against overvoltage $\leq 7.7V$. This is only guaranteed if external components are used as shown in the application circuits.

9 Output Current Limitation for PIN AOUT1 and AOUT2

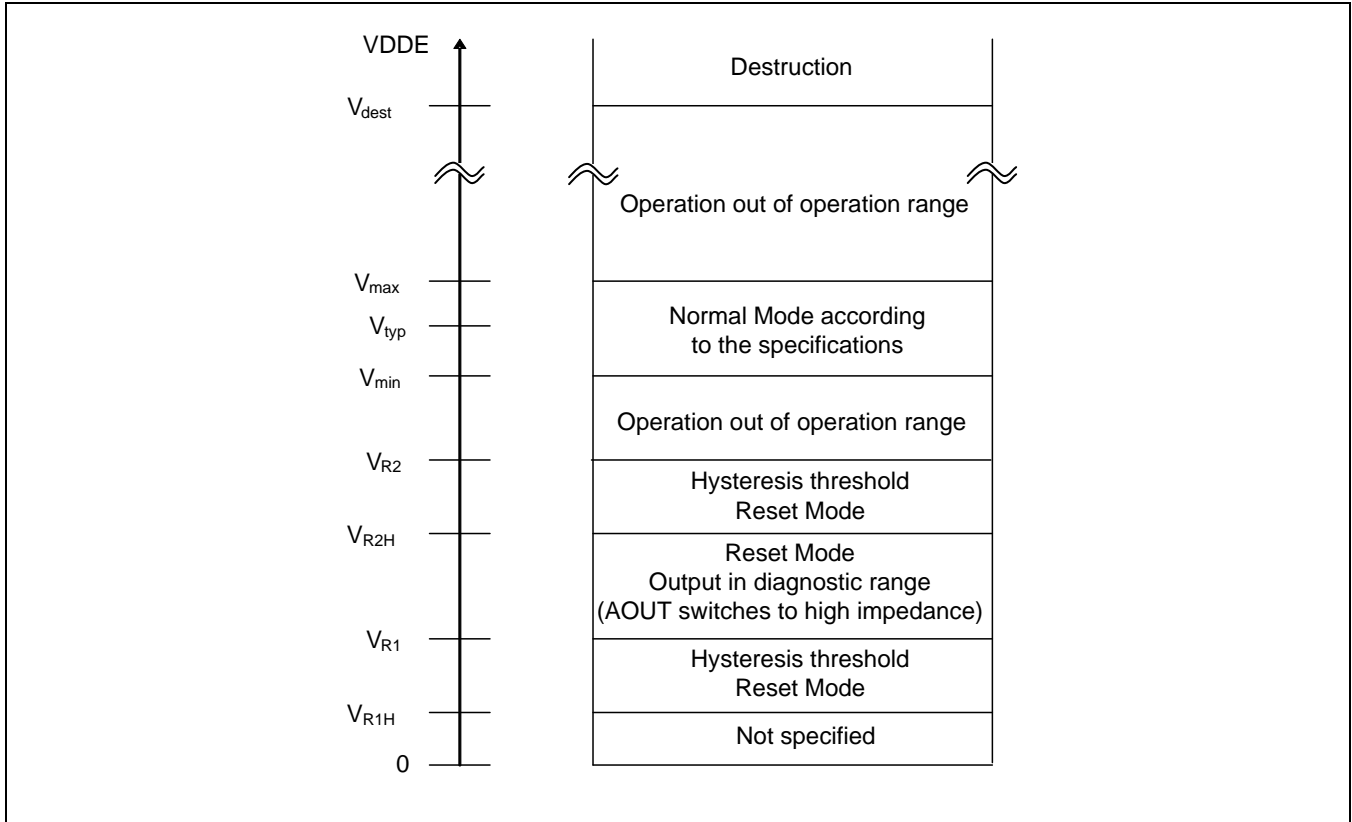
In the event of a short to the external supply pins VCC or GND, every output current is limited to 15mA (typical) at pins AOUT1 and AOUT2. In the event of overvoltage at VDDE ($VDDE > 5.5V$; 7.7V max), the current is limited to less than 50mA.

10 Supply Voltage Behavior (without Time Limits)

Table 10.1 Supply Voltage Behavior

| | Voltage Range ¹ | Sensor Behavior | Limits (Typical Values) |
|--|------------------------------|---|--------------------------------------|
| 10.1. | ↗ 0 to V_{R1} | Not specified | $V_{R1} < 1.5V$ |
| 10.2. | ↗ V_{R1} to V_{R2} | Reset Mode; output in diagnostic range | $V_{R2} = 3.7V$ |
| 10.3. | ↗ V_{R2} to V_{min} | Normal Mode; extended tolerance range | $V_{min} = 4.5V$ |
| 10.4. | ↗ V_{min} to V_{typ} | Normal Mode according to specifications | $V_{typ} = 5V$ |
| 10.5. | ↗ V_{typ} to V_{max} | Normal Mode according to specifications | $V_{max} = 5.5V$ |
| 10.6. | ↗ V_{max} to V_{dest} | Normal Mode; extended tolerance range | $V_{dest} > 7.7V$ |
| 10.7. | ↗ V_{dest} to V_{∞} | Destruction | $V_{dest} > 7.7V$ |
| 10.8. | ↘ V_{dest} to V_{max} | Normal Mode; extended tolerance range | $V_{dest} > 7.7V$, $V_{max} = 5.5V$ |
| 10.9. | ↘ V_{max} to V_{typ} | Normal Mode according to specifications | $V_{typ} = 5V$ |
| 10.10. | ↘ V_{typ} to V_{min} | Normal Mode according to specifications | $V_{min} = 4.5V$ |
| 10.11. | ↘ V_{min} to V_{R2H} | Normal Mode; extended tolerance range | $V_{R2H} < V_{R2} - 0.3V$ |
| 10.12. | ↘ V_{R2H} to V_{R1H} | Reset Mode; output in diagnostic range | $V_{R1H} < V_{R1}$ |
| <p>1. In this column, the symbol ↗ indicates a rise in the supply voltage (voltage increases from V_x to V_y). The symbol ↘ indicates a downward slope for the supply voltage (voltage decreases from V_x to V_y).</p> | | | |

Figure 10.1 Behavior over Full Supply Voltage Range



11 EMC Specification

11.1. Behavior during Applications of Test Pulses

The required application circuit (see *ZSSC3154_DataSheet_Rev_X_xx.pdf*, section 3) prevents irreversible damage to the ZSSC3154 during application of test pulses.

The integrated reset circuit with sufficient hysteresis prevents an out-of-specification switch between different working modes. The functional mode of the pressure sensor (IC and application) is mainly determined by external components.

The customer must verify the functions of the total system. If necessary, the customer must adjust the application circuit and the dimensions of the external components respectively.

Negative voltage pulses at the supply line cause an interruption of the ZSSC3154 power supply that must be compensated for with suitable steps.

11.2. Strength against Test Pulses (DIN 40839 Part1)

When testing the total system, the following parameters apply:

- Functional State A:
The device fulfills the complete functionality according to the specification during and after the application of test pulses.
- Functional State B:
The device fulfills the complete functionality according to the specification during the application of test pulses, but one or more functions might be out of the range of the operational tolerances. After the test pulse application, all functions are fulfilled according to the specification again. Memory functions must stay in the state A.

Table 11.1 Test Pulses 3a, 3b Severity IV according to DIN 40839 Part 1, Capacitive Coupling AOUT1 or AOUT2 Pin

| Test-Pulse | Pulse-Amplitude V_s [V] | R_i [Ω] | t_d [μs] | t_r [ns] | t_1 [μs] | t_4 [ms] | t_5 [ms] | Functional State of the Device | Duration |
|------------|------------------------------|-----------------------|----------------------|---------------|----------------------|---------------|---------------|--------------------------------|----------|
| 3a | -150 | 50 | 0.1 | 5 | 100 | 10 | 90 | B | 1h |
| 3b | +100 | 50 | 0.1 | 5 | 100 | 10 | 90 | B | 1h |

11.3. Electromagnetic Emission

The wired emission of externally connected pins of the device is measured according to the following standard:

IEC 61967_4:2002 + A1:2006

Measurements must be performed with the application circuit described in the *ZSSC3154 Data Sheet*.

For the pins VDDE, AOUT1, and AOUT2, the spectral power measured with the 150 Ω method must not exceed the limits according to IEC code H10kN. For the VSSE pin, the spectral power measured with the 1 Ω method must not exceed the limits according to IEC code 15KmO.

12 Related Documents

| Document |
|---------------------|
| ZSSC3154 Data Sheet |

Visit www.IDT.com/ZSSC3154 or contact your nearest sales office for the latest version of these documents.

13 Glossary

| Term | Description |
|------|-------------------------------|
| AOUT | Analog Output |
| DFB | Diagnostic Fault Band |
| EMC | Electromagnetic Compatibility |
| IC | Integrated Circuit |
| POR | Power-on-Reset |
| SSC | Sensor Signal Conditioner |

14 Document Revision History

| Revision | Date | Description |
|----------|------------------|--------------------------|
| 1.00 | October 21, 2013 | First release. |
| | April 1, 2016 | Changed to IDT branding. |

Notice

1. Descriptions of circuits, software and other related information in this document are provided only to illustrate the operation of semiconductor products and application examples. You are fully responsible for the incorporation or any other use of the circuits, software, and information in the design of your product or system. Renesas Electronics disclaims any and all liability for any losses and damages incurred by you or third parties arising from the use of these circuits, software, or information.
2. Renesas Electronics hereby expressly disclaims any warranties against and liability for infringement or any other claims involving patents, copyrights, or other intellectual property rights of third parties, by or arising from the use of Renesas Electronics products or technical information described in this document, including but not limited to, the product data, drawings, charts, programs, algorithms, and application examples.
3. No license, express, implied or otherwise, is granted hereby under any patents, copyrights or other intellectual property rights of Renesas Electronics or others.
4. You shall not alter, modify, copy, or reverse engineer any Renesas Electronics product, whether in whole or in part. Renesas Electronics disclaims any and all liability for any losses or damages incurred by you or third parties arising from such alteration, modification, copying or reverse engineering.
5. Renesas Electronics products are classified according to the following two quality grades: "Standard" and "High Quality". The intended applications for each Renesas Electronics product depends on the product's quality grade, as indicated below.
 - "Standard": Computers; office equipment; communications equipment; test and measurement equipment; audio and visual equipment; home electronic appliances; machine tools; personal electronic equipment; industrial robots; etc.
 - "High Quality": Transportation equipment (automobiles, trains, ships, etc.); traffic control (traffic lights); large-scale communication equipment; key financial terminal systems; safety control equipment; etc.Unless expressly designated as a high reliability product or a product for harsh environments in a Renesas Electronics data sheet or other Renesas Electronics document, Renesas Electronics products are not intended or authorized for use in products or systems that may pose a direct threat to human life or bodily injury (artificial life support devices or systems; surgical implantations; etc.), or may cause serious property damage (space system; undersea repeaters; nuclear power control systems; aircraft control systems; key plant systems; military equipment; etc.). Renesas Electronics disclaims any and all liability for any damages or losses incurred by you or any third parties arising from the use of any Renesas Electronics product that is inconsistent with any Renesas Electronics data sheet, user's manual or other Renesas Electronics document.
6. When using Renesas Electronics products, refer to the latest product information (data sheets, user's manuals, application notes, "General Notes for Handling and Using Semiconductor Devices" in the reliability handbook, etc.), and ensure that usage conditions are within the ranges specified by Renesas Electronics with respect to maximum ratings, operating power supply voltage range, heat dissipation characteristics, installation, etc. Renesas Electronics disclaims any and all liability for any malfunctions, failure or accident arising out of the use of Renesas Electronics products outside of such specified ranges.
7. Although Renesas Electronics endeavors to improve the quality and reliability of Renesas Electronics products, semiconductor products have specific characteristics, such as the occurrence of failure at a certain rate and malfunctions under certain use conditions. Unless designated as a high reliability product or a product for harsh environments in a Renesas Electronics data sheet or other Renesas Electronics document, Renesas Electronics products are not subject to radiation resistance design. You are responsible for implementing safety measures to guard against the possibility of bodily injury, injury or damage caused by fire, and/or danger to the public in the event of a failure or malfunction of Renesas Electronics products, such as safety design for hardware and software, including but not limited to redundancy, fire control and malfunction prevention, appropriate treatment for aging degradation or any other appropriate measures. Because the evaluation of microcomputer software alone is very difficult and impractical, you are responsible for evaluating the safety of the final products or systems manufactured by you.
8. Please contact a Renesas Electronics sales office for details as to environmental matters such as the environmental compatibility of each Renesas Electronics product. You are responsible for carefully and sufficiently investigating applicable laws and regulations that regulate the inclusion or use of controlled substances, including without limitation, the EU RoHS Directive, and using Renesas Electronics products in compliance with all these applicable laws and regulations. Renesas Electronics disclaims any and all liability for damages or losses occurring as a result of your noncompliance with applicable laws and regulations.
9. Renesas Electronics products and technologies shall not be used for or incorporated into any products or systems whose manufacture, use, or sale is prohibited under any applicable domestic or foreign laws or regulations. You shall comply with any applicable export control laws and regulations promulgated and administered by the governments of any countries asserting jurisdiction over the parties or transactions.
10. It is the responsibility of the buyer or distributor of Renesas Electronics products, or any other party who distributes, disposes of, or otherwise sells or transfers the product to a third party, to notify such third party in advance of the contents and conditions set forth in this document.
11. This document shall not be reprinted, reproduced or duplicated in any form, in whole or in part, without prior written consent of Renesas Electronics.
12. Please contact a Renesas Electronics sales office if you have any questions regarding the information contained in this document or Renesas Electronics products.

(Note1) "Renesas Electronics" as used in this document means Renesas Electronics Corporation and also includes its directly or indirectly controlled subsidiaries.

(Note2) "Renesas Electronics product(s)" means any product developed or manufactured by or for Renesas Electronics.

(Rev.4.0-1 November 2017)

Corporate Headquarters

TOYOSU FORESIA, 3-2-24 Toyosu,
Koto-ku, Tokyo 135-0061, Japan
www.renesas.com

Contact Information

For further information on a product, technology, the most up-to-date version of a document, or your nearest sales office, please visit:
www.renesas.com/contact/

Trademarks

Renesas and the Renesas logo are trademarks of Renesas Electronics Corporation. All trademarks and registered trademarks are the property of their respective owners.