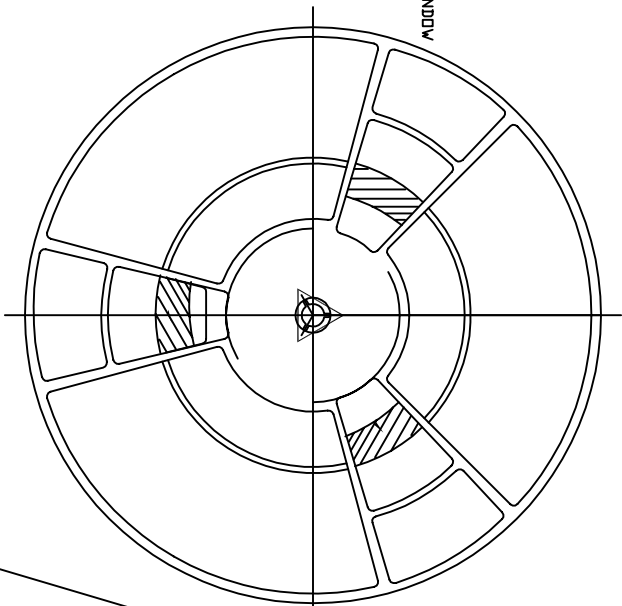
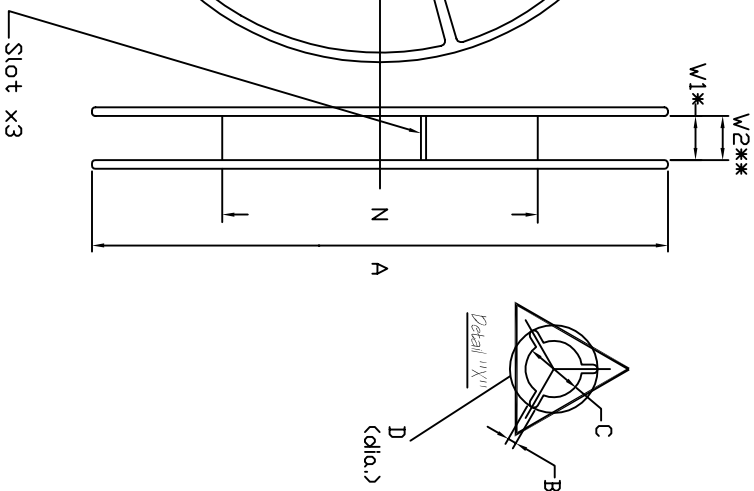


FRONT VIEW



BACK VIEW



PLASTIC REEL INFORMATION

TAPE WIDTH	12 MM	16 MM	24 MM	32 MM	44 MM
A	328 - 332	328 - 332	328 - 332	328 - 332	328 - 332
N	176 - 180	176 - 180	176 - 180	176 - 180	176 - 180
D	Min 20.2	Min 20.2	Min 20.2	Min 20.2	Min 20.2
C	12.8 - 13.5	12.8 - 13.5	12.8 - 13.5	12.8 - 13.5	12.8 - 13.5
B	Min 1.5	Min 1.5	Min 1.5	Min 1.5	Min 1.5
V1	12.4 - 14.4	16.4 - 18.4	24.4 - 26.4	32.4 - 34.4	44.4 - 46.4
V2	18.4 MAX	22.4 MAX	30.4 MAX	38.4 MAX	50.4 MAX
COLOR	BLACK	BLACK	BLACK	BLACK	BLACK

TOLERANCES UNLESS OTHERWISE SPECIFIED
 DECIMAL .25
 .X ± .25
 .XX ± .13
 .XXX ± .13
 ANGLE ±.5°
 APPROVALS DATE

IDT
 6024 Silver Creek Valley Road,
 San Jose, CA 95138
 PHONE: (408) 284-8200
 FAX: (408) 284-3572
 WWW.IDT.COM

TITLE: 13" PLASTIC REEL WITH 7" HUB
 STOCK NO. N/A
 DRAWING NO. MSC-4796-A
 REV N/A
 SCALE N/A
 DO NOT SCALE DRAWING SHEET 1 OF 1

