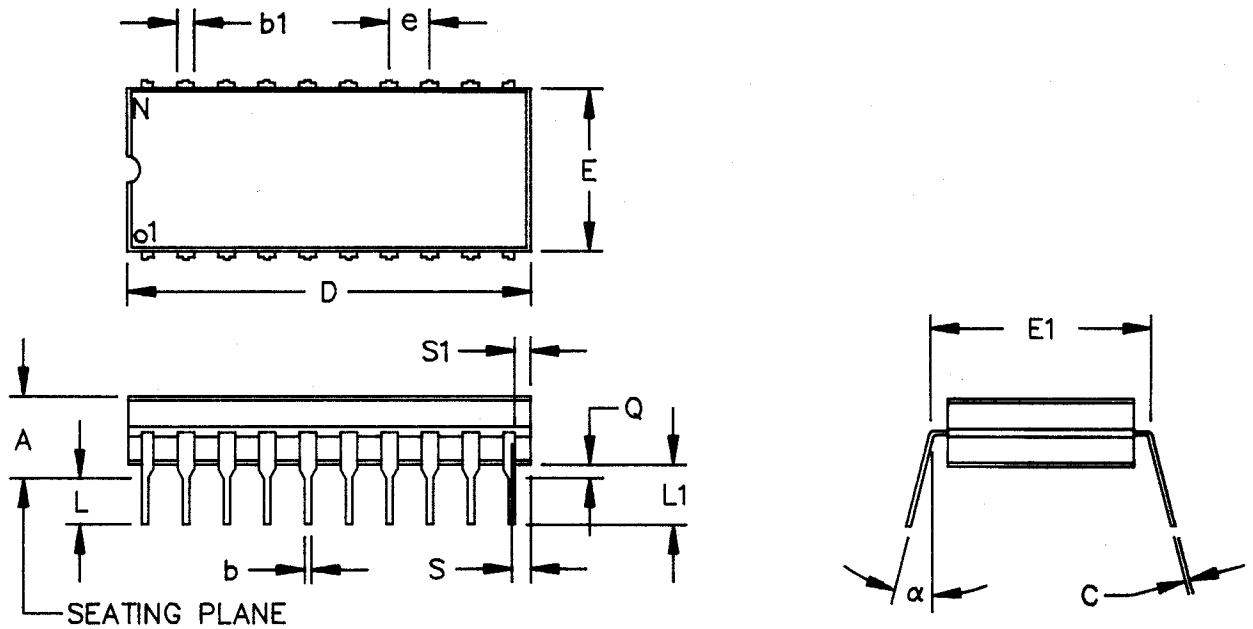



REV	DCN	DESCRIPTION	DATE	APPROVED
07	17515	UPDATED TO STANDARDIZE DWG	6/20/90	D Guilhamet
08	18086	REVISED A, Q, & S DIMENSIONS	8/17/90	D Guilhamet
09	22233	CHANGED b1 MIN DIMENSION	3/30/92	D Guilhamet



- NOTES: (UNLESS OTHERWISE SPECIFIED)
1. ALL DIMENSIONS ARE IN INCHES.
 2. BSC - BASIC LEAD SPACING BETWEEN CENTERS.
 3. SYMBOL "N" REPRESENTS THE NUMBER OF LEADS.

SYMBOL	MIN	MAX			CONFIGURATION	EXCEPTIONS
A	.140	.200			D-8	NONE
b	.015	.021	MIL-M-38510		NOT REGISTERED	
b1	.045	.060	JEDEC			
C	.009	.012	TOLERANCES UNLESS OTHERWISE SPECIFIED FRAC DEC ANGLES ± - ± - ± -		 Integrated Device Technology, Inc. 3236 Scott Blvd., Santa Clara, CA 95051 (408) 727-6116 FAX: (408) 727-2328	
D	.935	1.060				
E	.285	.310				
E1	.290	.320				
e	.100 BSC		APPROVALS	DATE		
L	.125	.175	DRAWN	08/90	20 LD CERDIP MKT DWG	
L1	.150	-	CHECKED			
Q	.015	.060				
S	.020	.080				
S1	.005	-			SCALE	REV
alpha	0°	15°			N/A	A
N	20				DRAWING NO.	PSC-2015
					DO NOT SCALE DRAWING	SHEET 2 OF 2