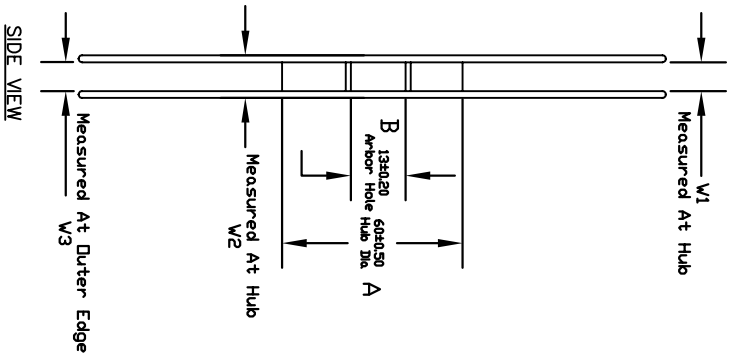
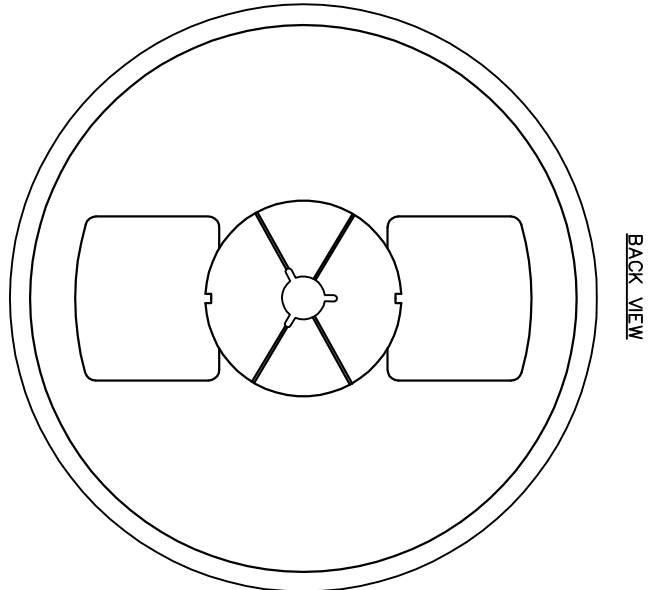


T	W1	W2	W3	COLOR
3±0.50	8.4±1.5/-0.0	14.4 MAX	7.9 MIN 10.9 MAX	WHITE

FRONT VIEW



SIDE VIEW



BACK VIEW

- NOTES : (UNLESS OTHERWISE SPECIFIED)
 1. MATERIAL : ANTISTATIC POLYSTYRENE
 2. ALL DIMENSIONS ARE IN mm.
 3. TAPE WIDTH : 8 MM

TOLERANCES UNLESS OTHERWISE SPECIFIED		DECIMAL		ANGLE	
.X	± .25	± .5°			
.XX	± .13				
.XXX	± .13				
APPROVALS	DATE				
DRAWN					
TITLE: 8 MM WIDTH PLASTIC REEL (7"/2" HUB)		SCALE N/A			
STOCK NO. N/A		DRAWING NO. MSC-5965-A		REV N/A	
WWW.IDT.COM		6024 Silver Creek Valley Road, San Jose, CA 95138		PHONE: (408) 284-8200	
		FAX: (408) 284-3572			


DO NOT SCALE DRAWING		SHEET 1 OF 1	
----------------------	--	--------------	--

REVISION HISTORY

REV	DESCRIPTION	EFFECTIVE DATE	AUTHOR
00	INITIAL RELEASE	03 FEB 2016	KK Thee

TOLERANCES UNLESS OTHERWISE SPECIFIED
 DECIMAL .25 ANGLE $\pm 5^\circ$
 .XX $\pm .13$
 .XXX $\pm .10$

APPROVALS _____ DATE _____
 DRAWN _____

www.IDT.com  6024 Silver Creek Valley Road,
 San Jose, CA 95138
 PHONE: (408) 284-8200
 FAX: (408) 284-3572

TITLE: 8 MM WIDTH PLASTIC REEL
 (7 1/2" HUB)

STOCK NO. N/A DRAWING NO. MSC-5965-A
 REV N/A

SCALE N/A
 SIZE N/A

DO NOT SCALE DRAWING HISTORY PAGE