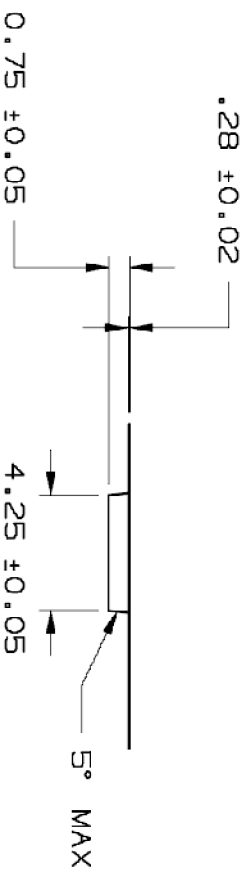
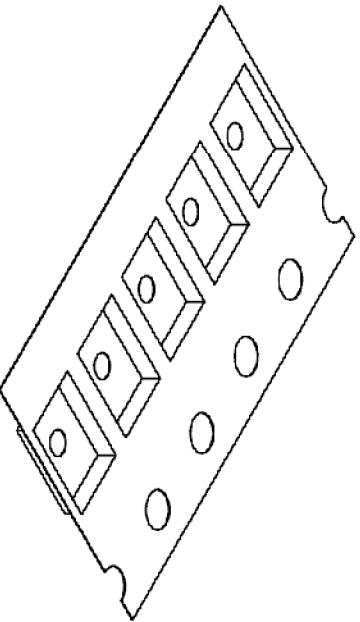


A₀



K₀

B₀



TOLERANCES UNLESS OTHERWISE SPECIFIED
DECIMAL .25
.X ± .10
.XX ± .10
.XXX ± .15

ANGLE ±.5°

APPROVALS DATE

DRAWN

DATE



6024 Silver Creek Valley Road
San Jose, CA 95138
PHONE: (408) 294-8200
FAX: (408) 294-3572

TITLE:

AHG 53/54 CARRIER TAPE (3M)

SCALE
N/A

STOCK NO.

N/A

DRAWING NO.

MSC-7764-A

REV

01

DO NOT SCALE DRAWING

SHEET 1 OF 1