

SECTION "X-X"
TRAY STACKING DETAIL
SCALE: 3/1

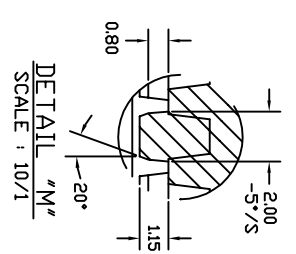
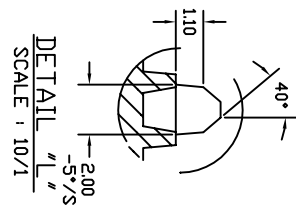
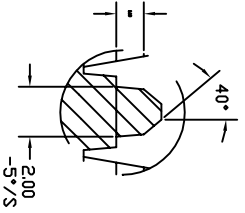
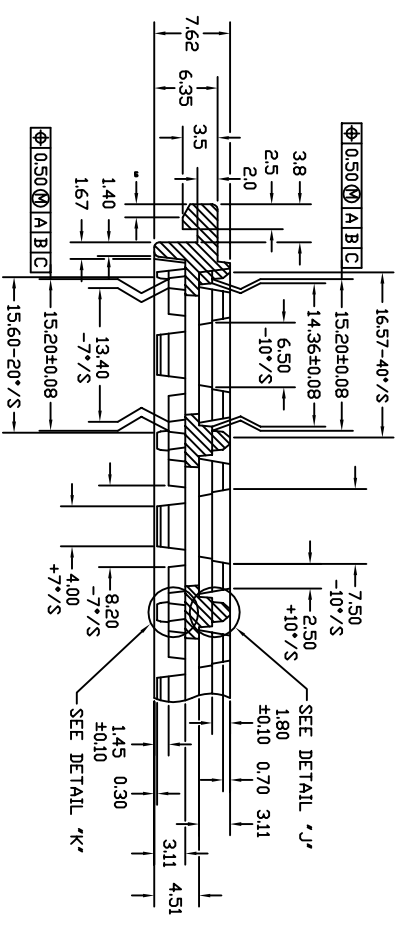
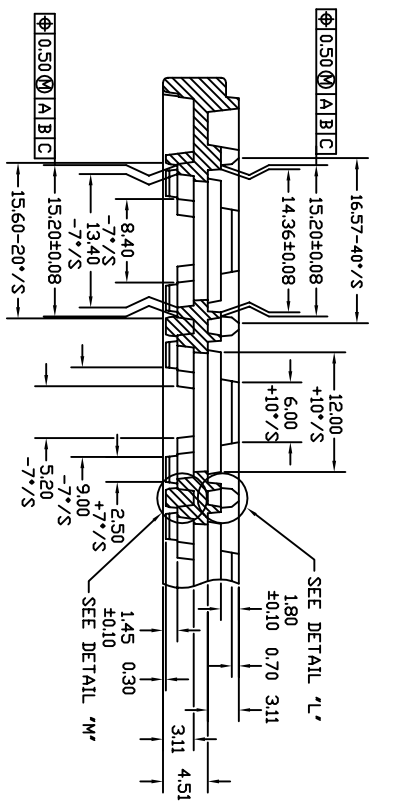
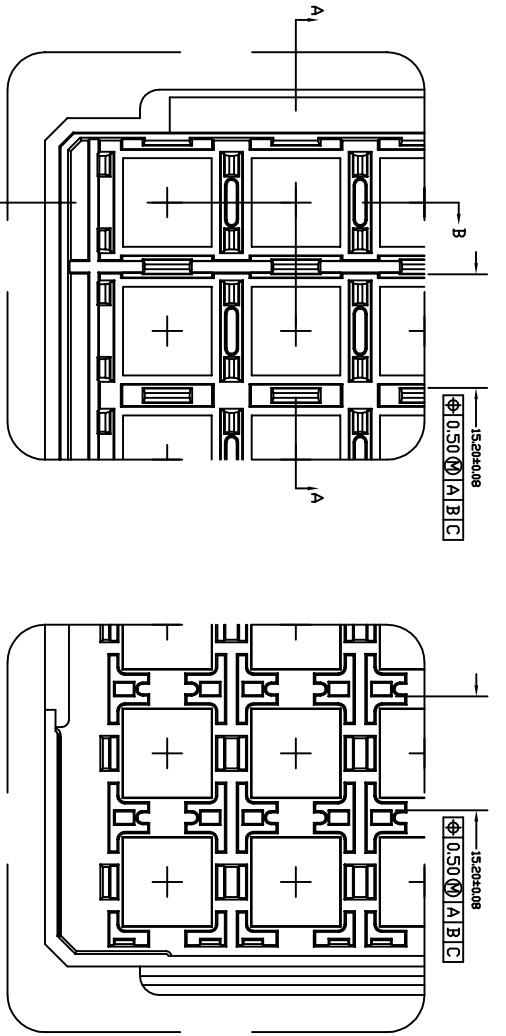
SECTION "Y-Y"

TOLERANCES UNLESS OTHERWISE SPECIFIED
 DECIMAL : .25
 .XX ±.13
 .XXX ±
 ANGLAR : ±



6024 Silver Creek Valley Road,
 San Jose, CA 95138
 PHONE: (408) 284-6200
 FAX: (408) 284-3572

TITLE:	AU/AUG 196, BA/BAG 196, BL/BLG 196 SHIPPING TRAY	SCALE:	N/A
STOCK NO.	N/A	SIZE:	N/A
DRAWING NO.	MSC-7308-A	REV:	00
DO NOT SCALE DRAWING	SHEET 1 OF 2		



TOLERANCES UNLESS OTHERWISE SPECIFIED
DECIMAL : .X ±.25
.XX ±.13
.XXX ±
ANGLE : ±
ANGULAR : ±



6024 Silver Creek Valley Road,
San Jose, CA 95138
PHONE: (408) 284-8200
FAX: (408) 284-3572

WWW.IDT.COM

TITLE:	AU/AUG 196, BA/BAG 196, BL/BLG 196 SHIPPING TRAY	SCALE:	N/A
STOCK NO.	N/A	SIZE:	N/A
DRAWING NO.	MSC-7308-A	REV:	00
DO NOT SCALE DRAWING	SHEET 2 OF 2		