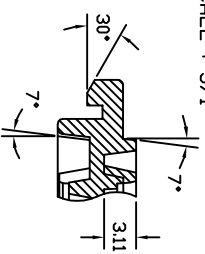
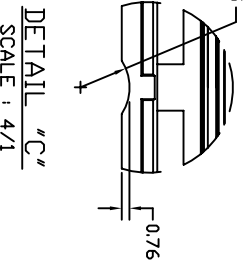


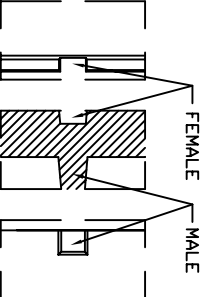
SECTION "X-X"  
TRAY STACKING DETAIL  
SCALE : 3/1



DETAIL "H"  
SCALE : 4/1



DETAIL "C"  
SCALE : 4/1



SLIP-LOCK DETAILS  
DETAIL "D"  
SCALE : 4/1

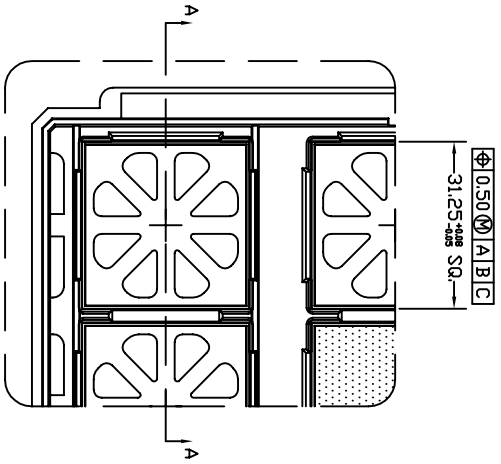
NOTES : (UNLESS OTHERWISE SPECIFIED)  
1. NUMBER OF POCKET : 3 X 9 = 27 POCKETS

TOLERANCES UNLESS OTHERWISE SPECIFIED  
DECIMAL :  
.X ±.25  
.XX ±.13  
.XXX  
ANGLE : ±0.5°  
ANGULAR : ±

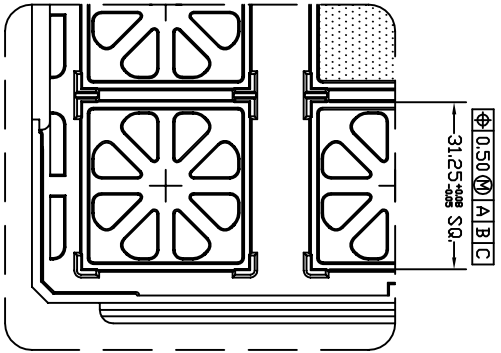


6024 Silver Creek Valley Road,  
San Jose, CA 95138  
PHONE: (408) 284-8200  
FAX: (408) 284-3572

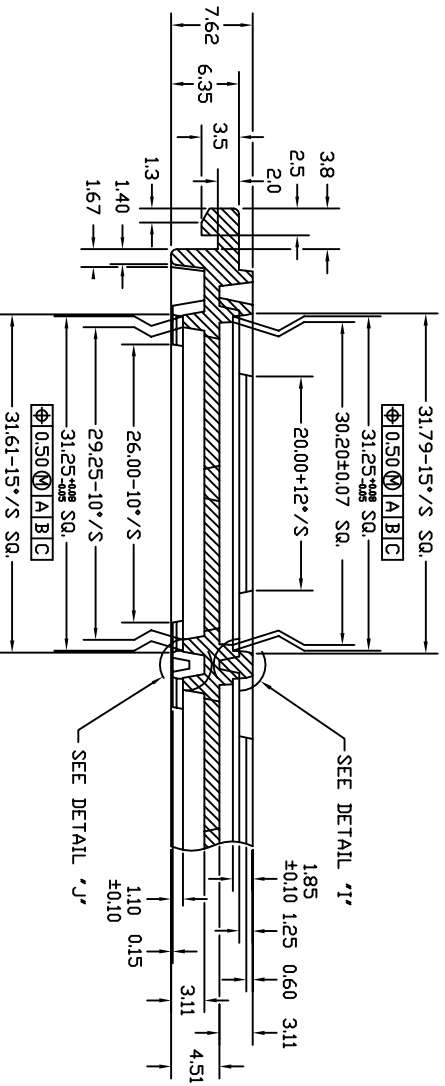
TITLE: BB 896 SHIPPING TRAY (OID DIVISION)		SCALE N/A	
STOCK NO. N/A	DRAWING NO. MSC-7964-A	REV 00	SCALE N/A
DO NOT SCALE DRAWING		SHEET 1 OF 2	



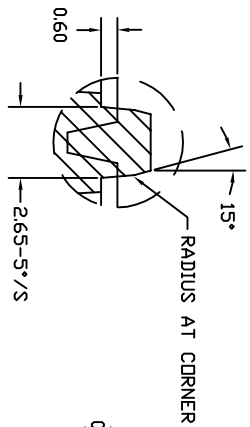
TOP VIEW  
DETAIL "B"  
SCALE : 2/1  
(FRDM SHT.#1)



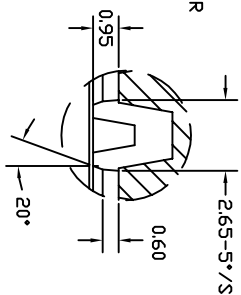
BOTTOM VIEW  
DETAIL "B"  
SCALE : 2/1  
(FRDM SHT.#1)



SECTION "A-A"  
SCALE : 4/1



DETAIL "I"  
SCALE : 10/1



DETAIL "J"  
SCALE : 10/1

TOLERANCES UNLESS  
OTHERWISE SPECIFIED  
DECIMAL :  
.X ±.25  
.XX ±.13  
.XXX  
ANGULAR : ±0.5°  
ANGULAR : ±



6024 Silver Creek Valley Road,  
San Jose, CA 95138  
PHONE: (408) 284-8200  
FAX: (408) 284-3572

TITLE: BB 896 SHIPPING TRAY (OID DIVISION)		SCALE N/A	
STOCK NO. N/A	DRAWING NO. MSC-7964-A	REV 00	SCALE N/A
DO NOT SCALE DRAWING		SHEET 2 OF 2	