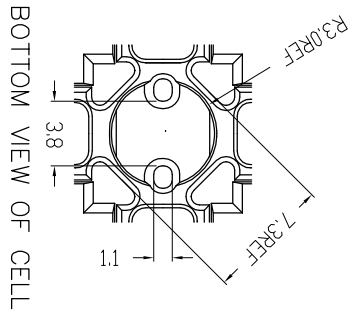
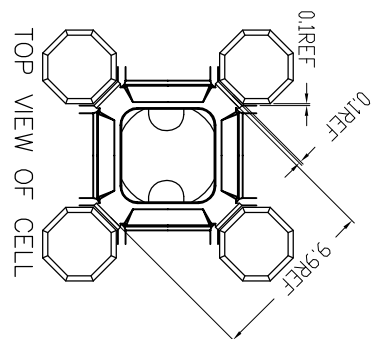


CHAMFER INDICATES PACKAGE PIN#1 ORIENTATION

SEE DETAIL C

SEE DETAIL D

- NOTES : (UNLESS OTHERWISE SPECIFIED)
1. MATERIAL : PP6 (BLACK)
 2. ALL DIMENSIONS ARE IN mm.
 3. TEMPERATURE : 150°C MAX.
 4. ESD SURFACE RESISTIVITY SHALL CONFORM TO IDT SPEC. MSA-3032.
 5. PEAK PART NUMBER : BLACK TRAY : NX BG0808 0.9 1229 6 REV V
RED TRAY : NH BG0808 0.9 1229 1 REV B (RED)
 6. NUMBER OF POCKETS : 12 X 29 = 348 POCKETS

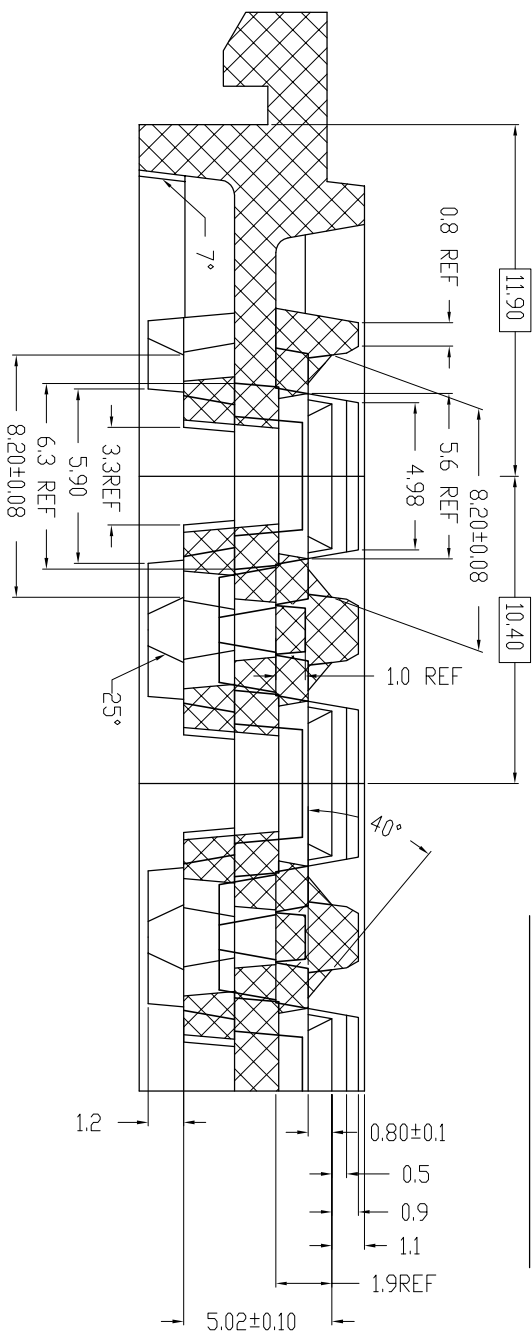


TOLERANCES UNLESS OTHERWISE SPECIFIED
 DECIMAL : X ± 0.25
 .XX ± 0.13
 .XXX ±
 ANGULAR : ±

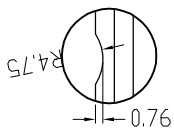
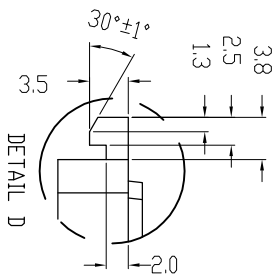
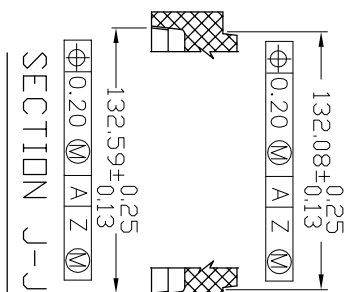
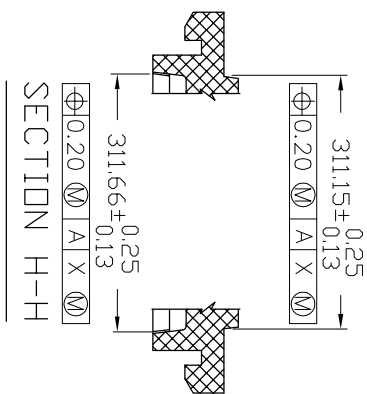
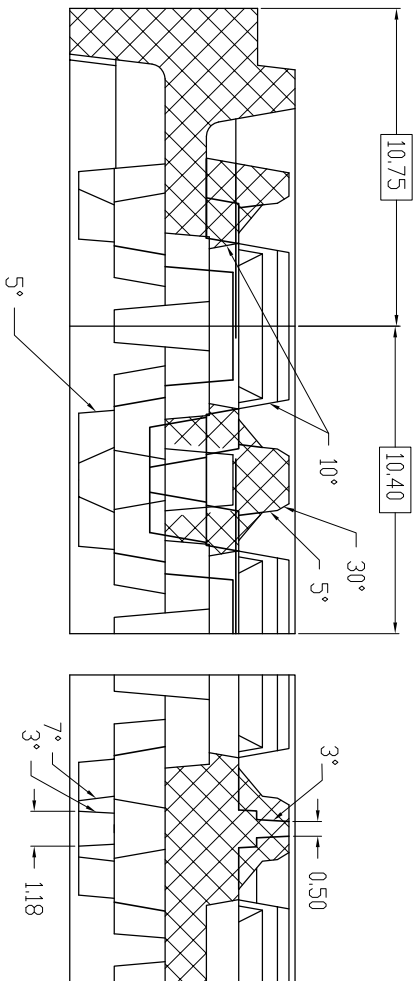
IDT
 www.IDT.com
 6024 Silver Creek Valley Road,
 San Jose, CA 95138
 PHONE: (408) 284-8200
 FAX: (408) 284-3572

TITLE: BD/BDG 225 SHIPPING TRAY		SCALE N/A
STOCK NO. N/A	DRAWING NO. MSC-7874-A	REV 00
DO NOT SCALE DRAWING		SHEET 1 OF 2

SECTION A-A



SECTION B-B



DETAIL C

NOTE: SCALLOP IS CENTERED ON SIDE OF TRAY

TOLERANCES UNLESS OTHERWISE SPECIFIED
 DECIMAL : X ± 0.25
 .XXX ± 0.13
 ANGULAR : ±



6024 Silver Creek Valley Road,
 San Jose, CA 95138
 PHONE: (408) 284-8200
 FAX: (408) 284-3572

TITLE:

BD/BDG 225 SHIPPING TRAY

STOCK NO.

N/A

DRAWING NO.

MSC-7874-A

SCALE

N/A

SIZE

N/A

REV

00

DO NOT SCALE DRAWING

SHEET 2 OF 2