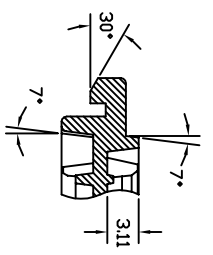
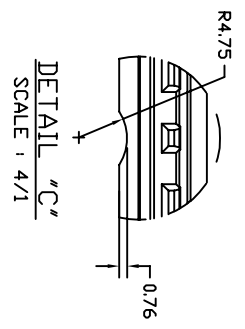


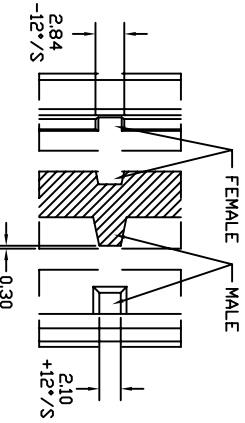
TRAY STACKING DETAIL
SCALE : 3/1



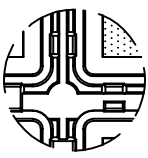
DETAIL "H"
SCALE : 4/1



DETAIL "C"
SCALE : 4/1



SLIP-LOCK DETAILS
DETAIL "D"
SCALE : 4/1



BOTTOM VIEW
DETAIL "G"
SCALE : 4/1

NOTES : (UNLESS OTHERWISE SPECIFIED)
1. NUMBER OF POCKET : 8 X 17 = 136 POCKETS

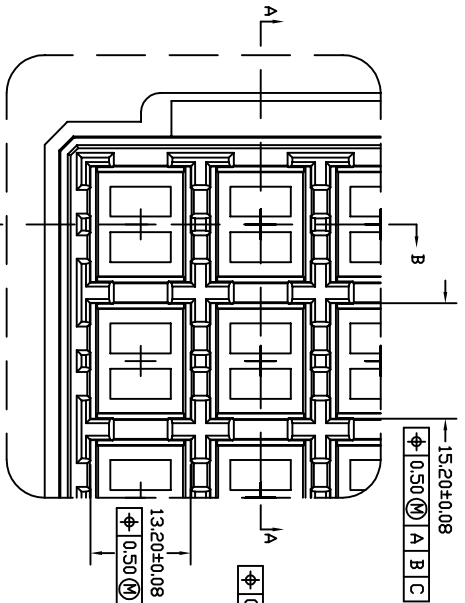
TOLERANCES UNLESS OTHERWISE SPECIFIED

DECIMAL :	X ±.25
XX ±.13	.XX ±.13
ANGLE :	±5°
ANGULAR :	±

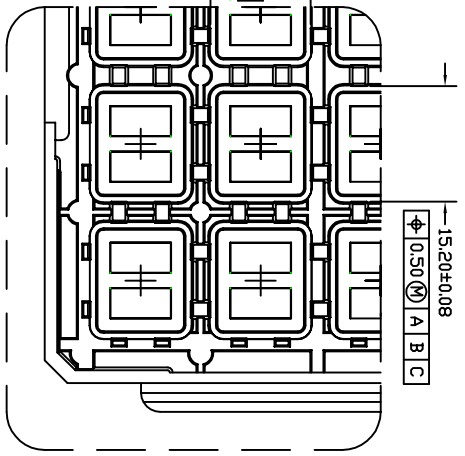


6024 Silver Creek Valley Road,
San Jose, CA 95138
PHONE: (408) 284-8200
FAX: (408) 284-3572

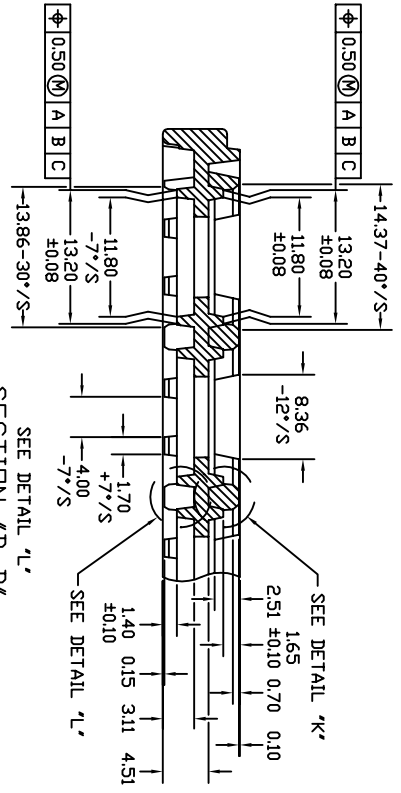
TITLE:	BQ/BQG165 SHIPPING TRAY		
STOCK NO.	N/A	DRAWING NO.	MSC-4756-A
REV	N/A	SCALE	N/A
DO NOT SCALE DRAWING	SHEET 1 OF 2	REV	00



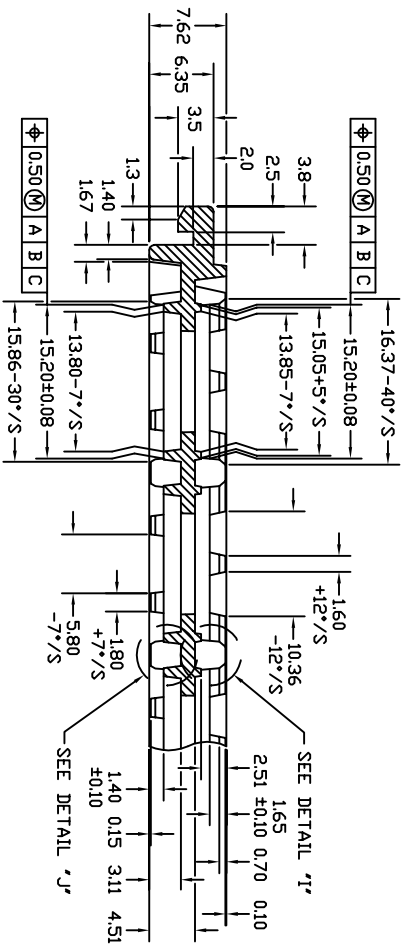
DETAIL "B"
SCALE : 3/1
(FROM SHT.#1)



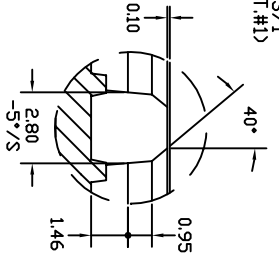
DETAIL "B"
SCALE : 3/1
(FROM SHT.#1)



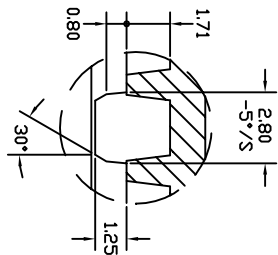
SECTION "B-B"
SCALE : 4/1



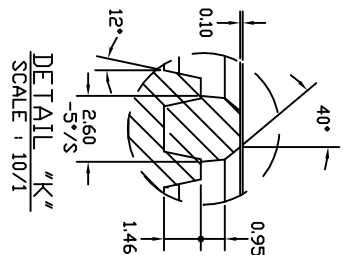
SECTION "A-A"
SCALE : 4/1



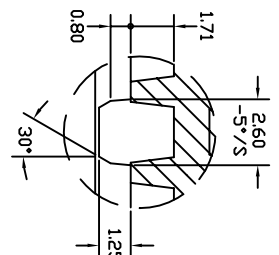
DETAIL "I"
SCALE : 10/1



DETAIL "J"
SCALE : 10/1



DETAIL "K"
SCALE : 10/1



DETAIL "L"
SCALE : 10/1

TOLERANCES UNLESS OTHERWISE SPECIFIED
DECIMAL :
.X ±.25
.XX ±.13
.XXX ±.13
ANGLE : ±5°
ANGULAR : ±



6024 Silver Creek Valley Road,
San Jose, CA 95138
PHONE: (408) 284-8200
FAX: (408) 284-3572

TITLE:
BQ/BQG165 SHIPPING TRAY

STOCK NO.	DRAWING NO.	SCALE
N/A	MSC-4756-A	N/A
DO NOT SCALE DRAWING	REV	N/A
	00	
	SHEET 2 OF 2	