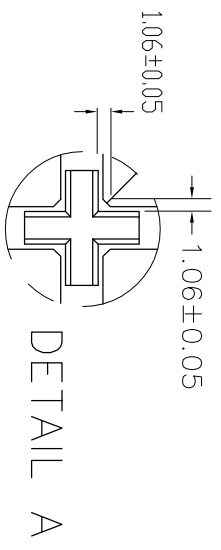


CHAMFER INDICATES PACKAGE PIN#1 ORIENTATION

NOTES : (UNLESS OTHERWISE SPECIFIED)
1. NUMBER OF POCKET : 3 X 8 = 24 POCKETS

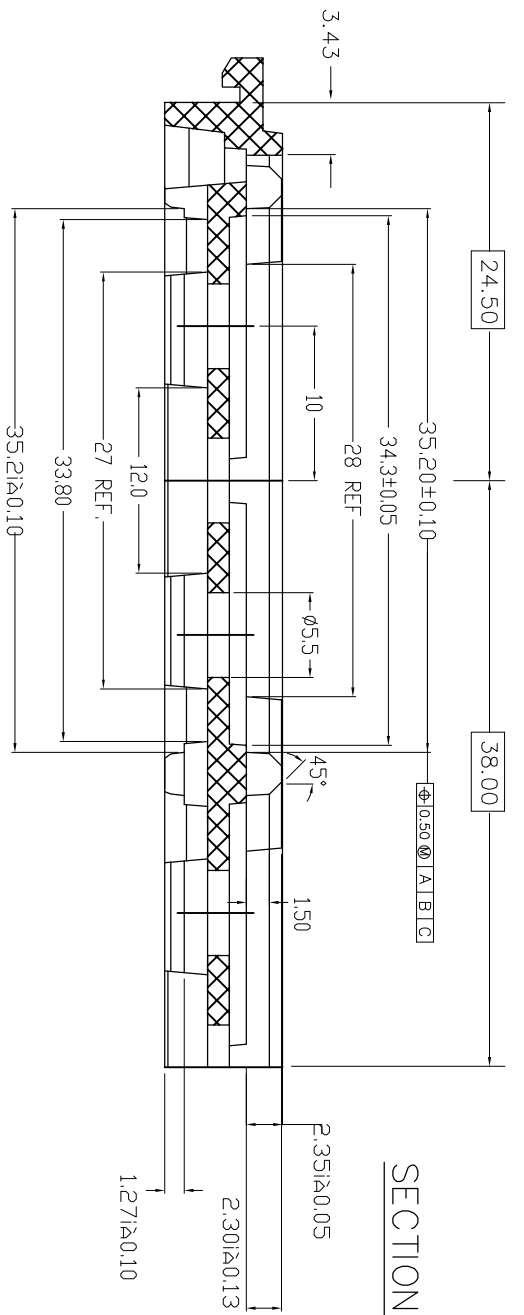


TOLERANCES UNLESS OTHERWISE SPECIFIED
DECIMAL : X ±.25
.XX ±.13
.XXX
ANGLE : ±0.5°
ANGULAR : ±

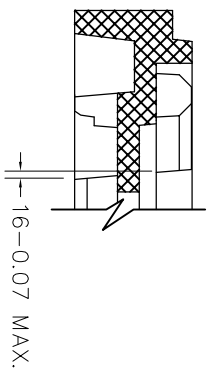


6024 Silver Creek Valley Road,
San Jose, CA 95138
PHONE: (408) 284-8200
FAX: (408) 284-3572

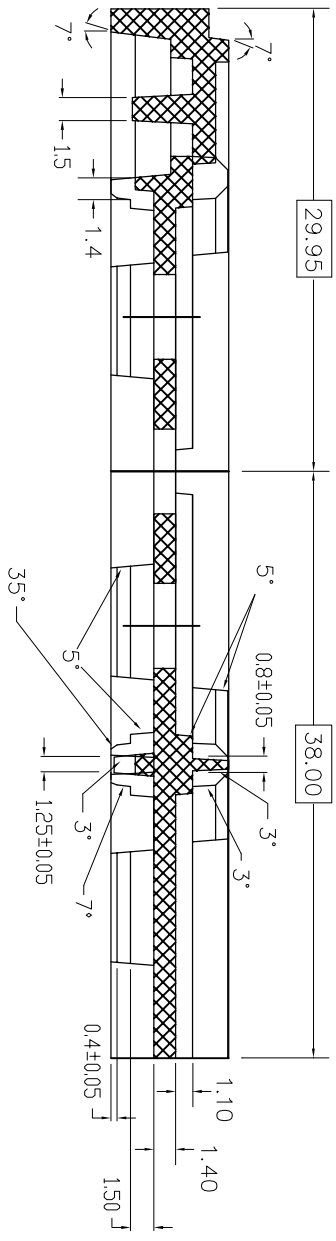
TITLE: BS 352 SHIPPING TRAY (OID DIVISION)		SCALE N/A
STOCK NO. N/A	DRAWING NO. MSC-7967-A	REV 00
DO NOT SCALE DRAWING		SHEET 1 OF 2



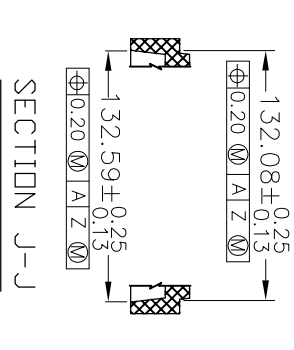
SECTION A-A



SECTION D-D



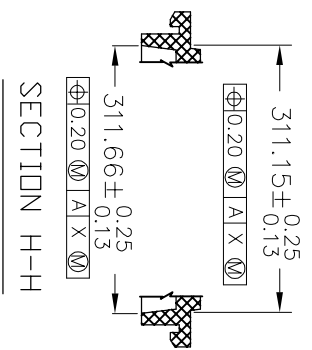
SECTION B-B



SECTION J-J



DETAIL D



SECTION H-H

TOLERANCES UNLESS OTHERWISE SPECIFIED
 DECIMAL : X ±.25
 .XX ±.13
 .XXX
 ANGLE : ±0.5°
 ANGULAR : ±



6024 Silver Creek Valley Road,
 San Jose, CA 95138
 PHONE: (408) 284-8200
 FAX: (408) 284-3572

TITLE: BS 352 SHIPPING TRAY (OID DIVISION)

STOCK NO. N/A
 DRAWING NO. MSC-7967-A
 REV 00

SCALE N/A
 SIZE N/A
 DO NOT SCALE DRAWING SHEET 2 OF 2