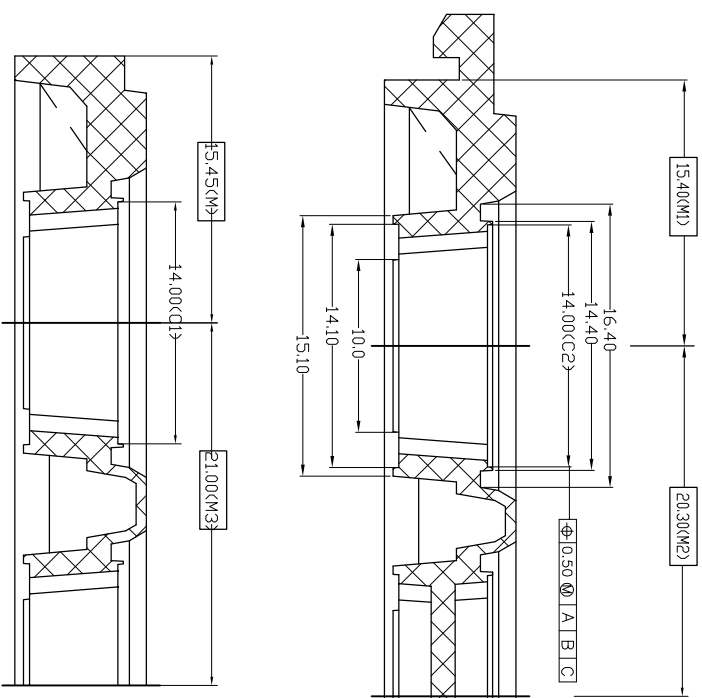


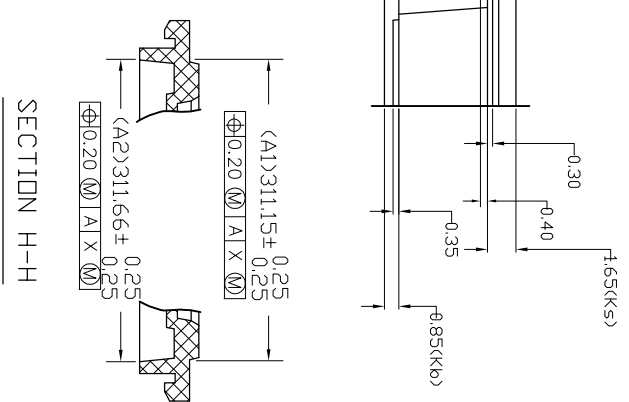
TOLERANCES UNLESS OTHERWISE SPECIFIED
 DECIMAL : X \pm .25
 .XX \pm .13
 .XXX \pm .13
 ANGLE : \pm .5°
 ANGULAR : \pm

IDT
 www.IDT.com
 6024 Silver Creek Valley Road,
 San Jose, CA 95138
 PHONE: (408) 284-8200
 FAX: (408) 284-3572

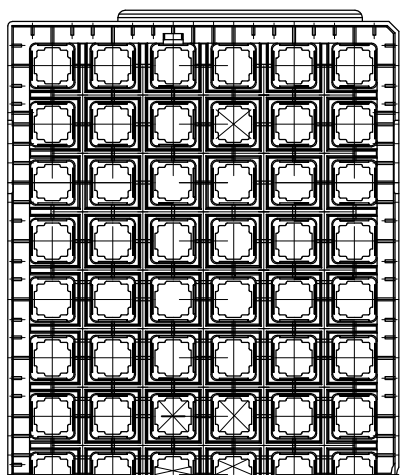
TITLE:		EM/EMG 100/128 & EV/ENG	
STOCK NO.		128 SHIPPING TRAY	
DRAWING NO.		MSC-5827-A	
REV		00	
SCALE		N/A	
DO NOT SCALE DRAWING		SHEET 1 OF 2	



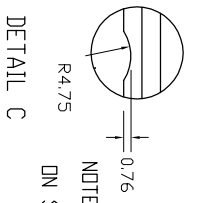
SECTION A-A



SECTION H-H

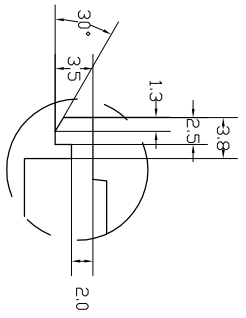


BOTTOM VIEW

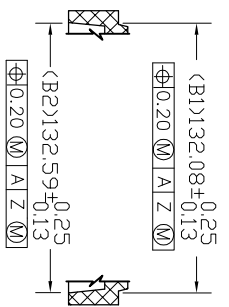


NOTE: SCALLOP IS CENTERED ON SIDE OF TRAY

DETAIL C



DETAIL D



SECTION J-J

TOLERANCES UNLESS OTHERWISE SPECIFIED
 DECIMAL : X ±.25
 .XX ±.13
 .XXX ±.13
 ANGLE : ±.5°
 ANGULAR : ±



6024 Silver Creek Valley Road,
 San Jose, CA 95138
 PHONE: (408) 284-8200
 FAX: (408) 284-3572

TITLE:		EM/EMG 100/128 & EV/EVG	
STOCK NO.		128 SHIPPING TRAY	
DRAWING NO.		MSC-5827-A	
REV		N/A	
SCALE		N/A	
DO NOT SCALE DRAWING		SHEET 2 OF 2	