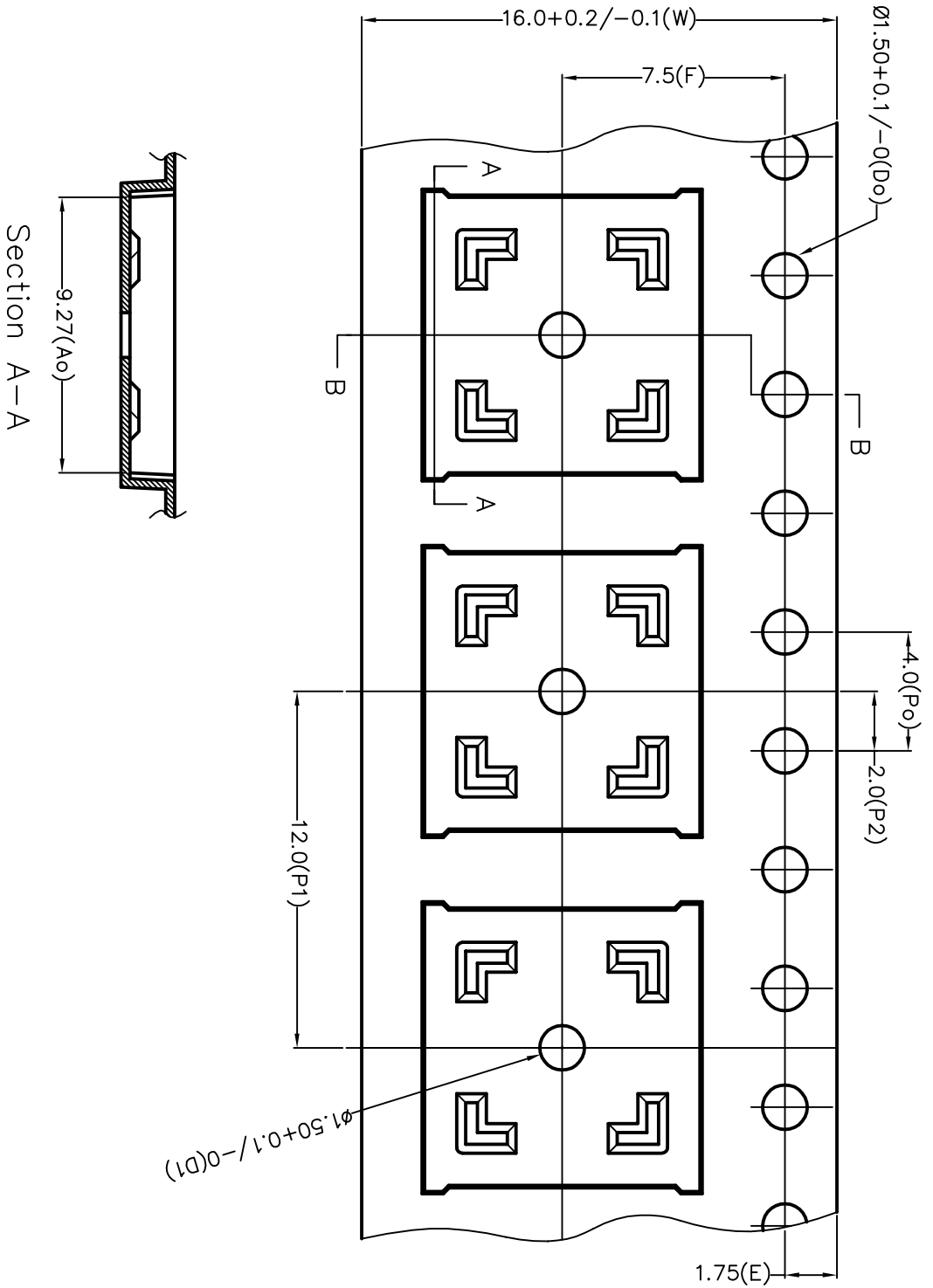



Section B-B



Section A-A

TOLERANCES UNLESS OTHERWISE SPECIFIED				6024 Silver Creek Valley Road, San Jose, CA 95138 PHONE: (408) 284-8200 FAX: (408) 284-3572	
DECIMAL	ANGLE	www.IDT.com			
X ± .10		TITLE:		LG/LGG 64, ND/NDG 76 &	
XX ± .10		DRAWN		NL/NLG 64 CARRIER TAPE	
		DATE		STOCK NO.	
		APPROVALS		N/A	
				DRAWING NO.	
				MSC-7504-A	
				REV	
				00	
				SCALE	
				N/A	
				SIZE	
				DO NOT SCALE DRAWING	
				SHEET 1 OF 1	