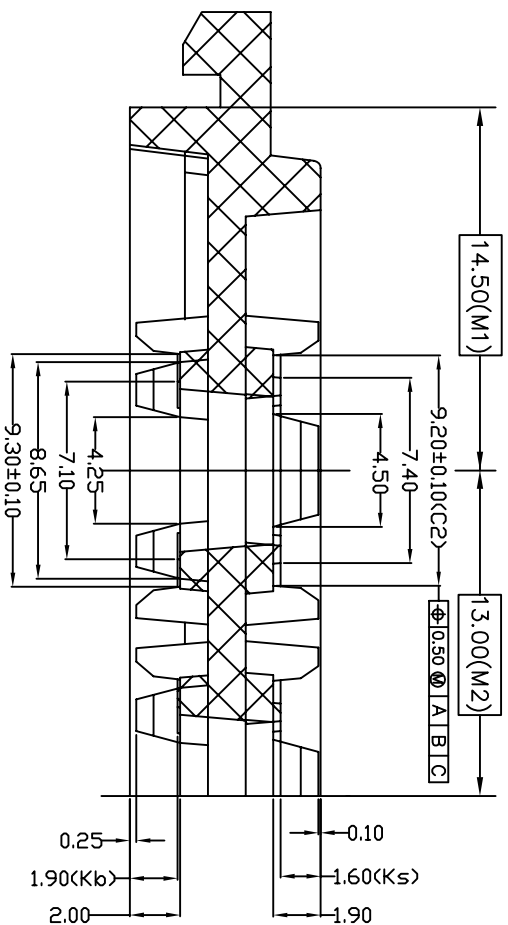


NOTES : (UNLESS OTHERWISE SPECIFIED)
1. NUMBER OF POCKET : 9 X 23 = 207 POCKETS

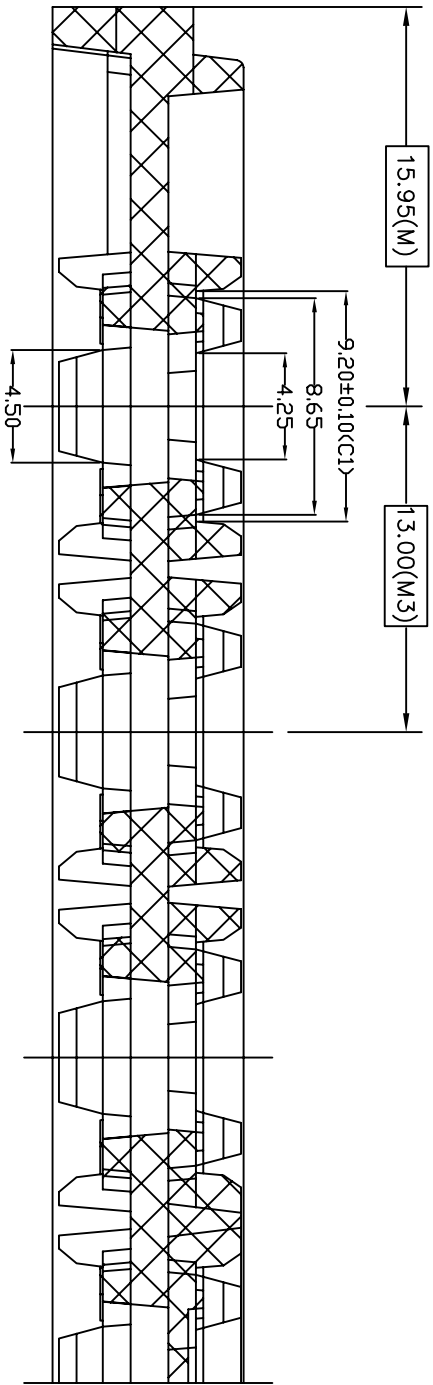
| | | | |
|---------------------------------------|-----------|--------------|--|
| TOLERANCES UNLESS OTHERWISE SPECIFIED | | ANGLE ±.5° | |
| DECIMAL | .XX ± .25 | | |
| .XX | ± .13 | | |
| .XXX | ± .13 | | |
| APPROVALS | DATE | | |
| DRAWN | | | |
| TITLE: | | SCALE | |
| NAG100, NDG76, NHG100 & | | N/A | |
| NLG64 SHIPPING TRAY | | SIZE | |
| STOCK NO. | | N/A | |
| N/A | | REV | |
| DRAWING NO. | | 01 | |
| MSC-7012-A | | | |
| DO NOT SCALE DRAWING | | SHEET 1 OF 2 | |

6024 Silver Creek Valley Road
San Jose, CA 95138
PHONE: (408) 284-8200
FAX: (408) 284-3572

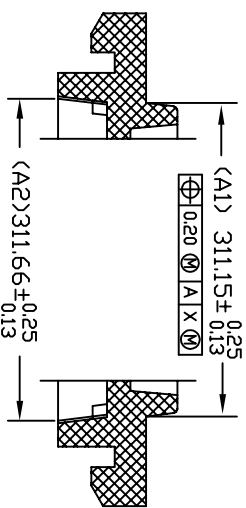
www.IDT.com



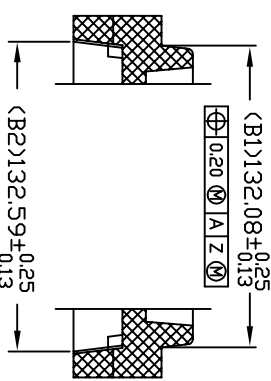
SECTION A-A



SECTION B-B



SECTION H-H



SECTION J-J

| | | | | | |
|---------------------------------------|--|--------------------------------|--|----------------------|--|
| TOLERANCES UNLESS OTHERWISE SPECIFIED | | DECIMAL | | ANGLE | |
| .XX ± .25 | | .XX ± .13 | | .XX ± .13 | |
| APPROVALS | | DATE | | SCALE | |
| DRAWN | | | | N/A | |
| TITLE: | | WWW.IDT.COM | | N/A | |
| NAG100, NDG76, NHG100 & | | 6024 Silver Creek Valley Road. | | N/A | |
| NLG64 SHIPPING TRAY | | San Jose, CA 95138 | | N/A | |
| STOCK NO. | | PHONE: (408) 284-8200 | | REV | |
| N/A | | FAX: (408) 284-3572 | | 01 | |
| DRAWING NO. | | | | DO NOT SCALE DRAWING | |
| MSC-7012-A | | | | SHEET 2 OF 2 | |
| 01 | | | | | |