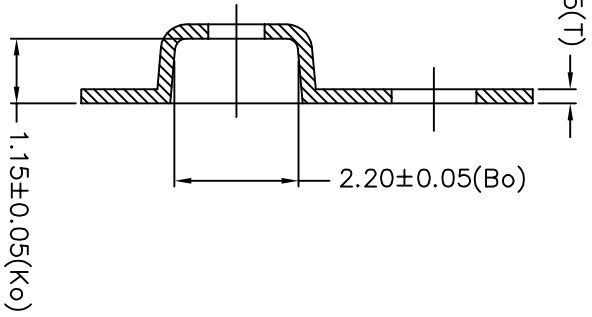
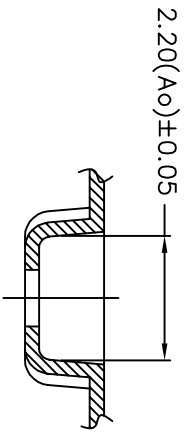


SECTION B-B



SECTION A-A



TOLERANCES UNLESS OTHERWISE SPECIFIED
 DECIMAL : X ± .1
 .XX ± .10
 .XXX ± .05
 ANGULAR : ±



6024 Silver Creek Valley Road,
 San Jose, CA 95138
 PHONE: (408) 284-8200
 FAX: (408) 284-3572

TITLE: NBG 8 CARRIER TAPE

STOCK NO.	DRAWING NO.	SCALE
P8-524-000	MSC-7840-A	N/A
DO NOT SCALE DRAWING	SHEET 1 OF 1	REV N/A