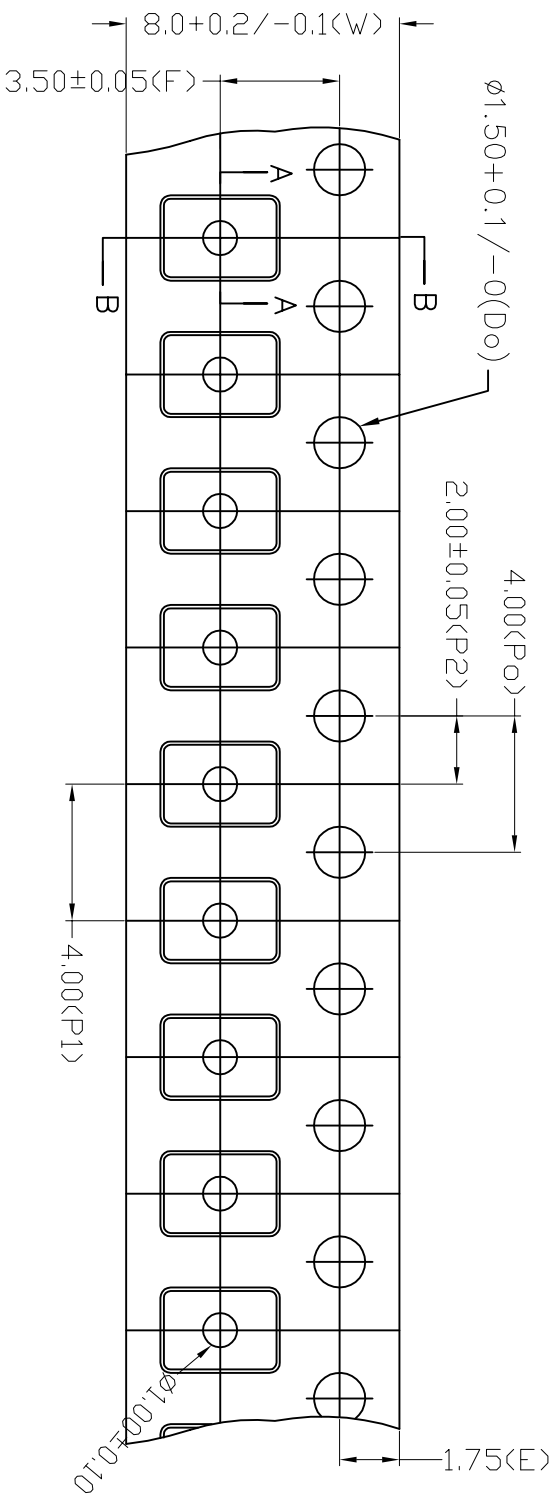
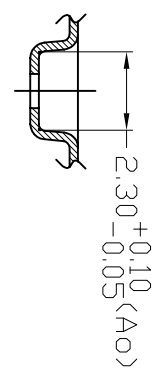


Section B-B



Section A-A



TOLERANCES UNLESS OTHERWISE SPECIFIED	
DECIMAL	ANGLE
X ± .10	
.XX ± .10	
APPROVALS	DATE
DRAWN	
	
www.IDT.com	
6024 Silver Creek Valley Road, San Jose, CA 95138 PHONE: (408) 284-8200 FAX: (408) 284-3572	

TITLE:		SCALE	
NR/NRG 6 CARRIER TAPE		N/A	
STOCK NO.	DRAWING NO.	REV	SIZE
N/A	MSC-7585-A	00	
DO NOT SCALE DRAWING		SHEET 1 OF 1	