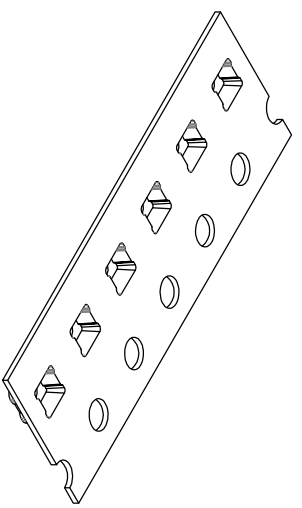
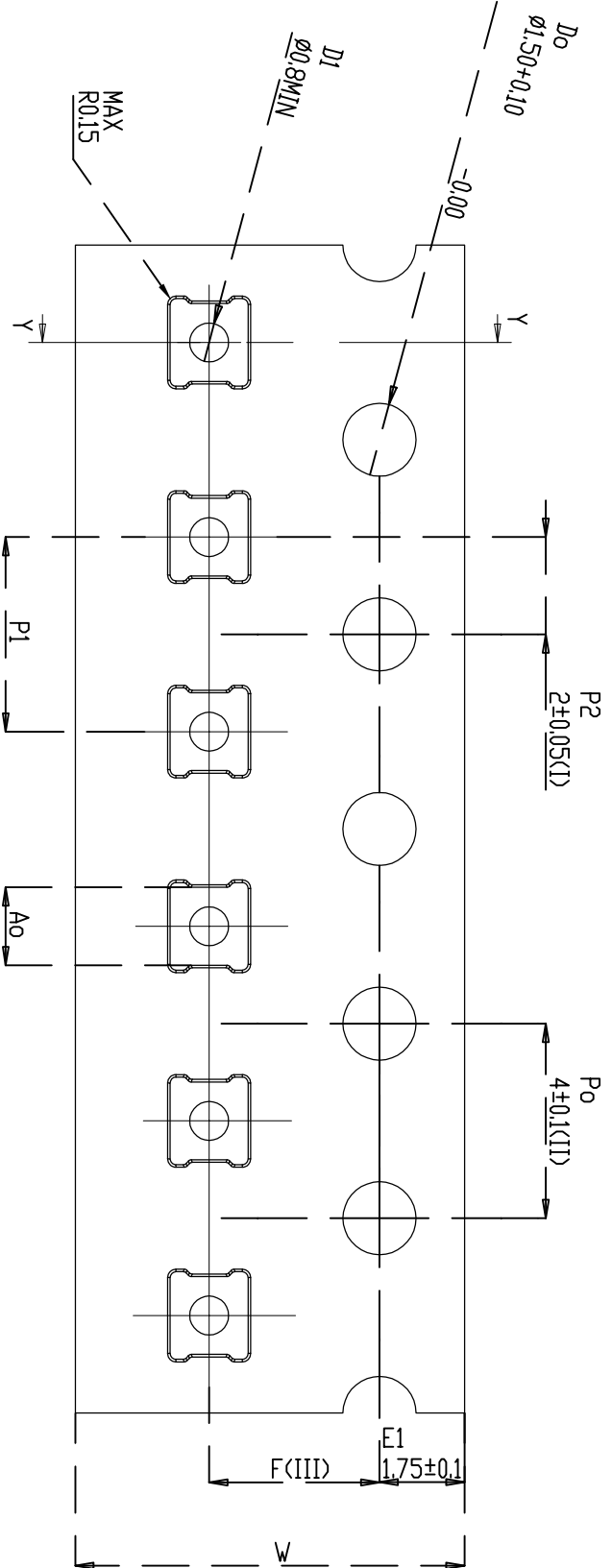
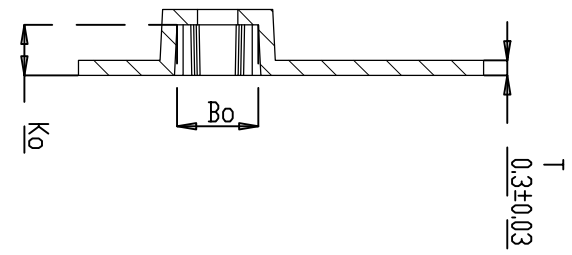


SECTION Y-Y



|    |      |         |
|----|------|---------|
| Ao | 1.60 | +/-0.05 |
| Bo | 1.60 | +/-0.05 |
| Ko | 1.00 | +/-0.05 |
| F  | 3.50 | +/-0.05 |
| P1 | 4.00 | +/-0.10 |
| W  | 8.00 | +/-0.20 |

TOLERANCES UNLESS OTHERWISE SPECIFIED  
 DECIMAL .25  
 .X  $\pm$  .10  
 .XX  $\pm$  .10  
 .XXX  $\pm$  .15  
 ANGLE  $\pm$  .5°  
 APPROVALS \_\_\_\_\_ DATE \_\_\_\_\_  
**IDT**  
 WWW.IDT.COM  
 6024 Silver Creek Valley Road,  
 San Jose, CA 95138  
 PHONE: (408) 294-8200  
 FAX: (408) 294-3572

|                      |                    |             |            |
|----------------------|--------------------|-------------|------------|
| TITLE:               | NTG 6 CARRIER TAPE | SCALE:      | N/A        |
| STOCK NO.            | N/A                | DRAWING NO. | MSC-7814-A |
| REV                  | 00                 | REV         | 00         |
| DO NOT SCALE DRAWING | SHEET 1 OF 1       |             |            |