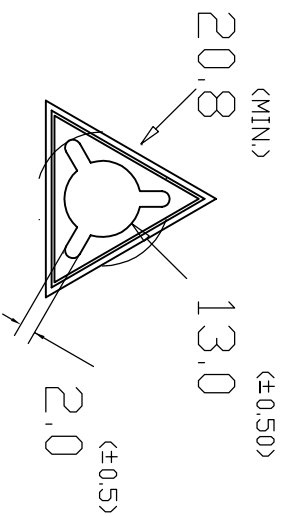
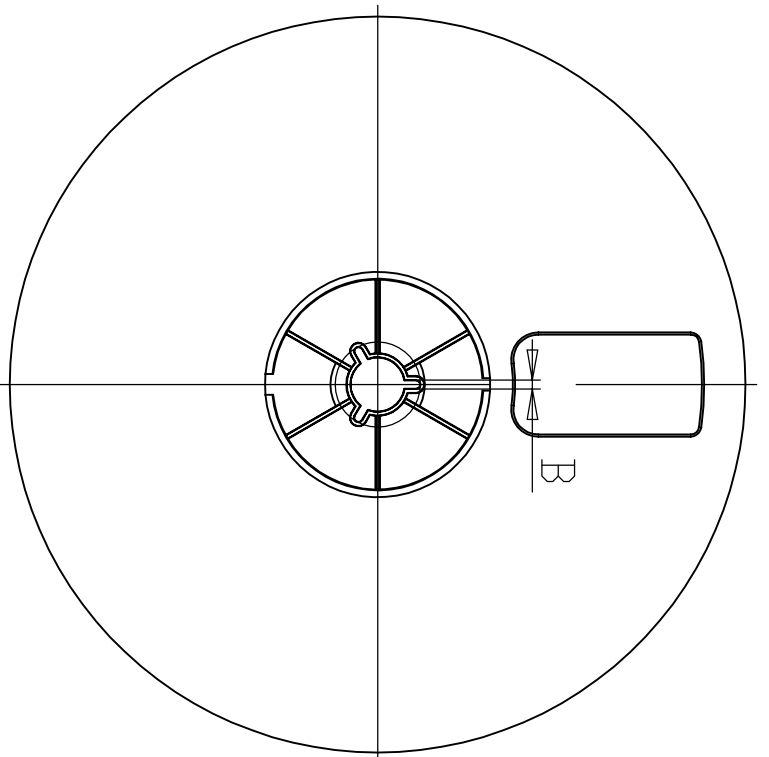


Tape Size (MM)	A	B	C	W1	W2 Max
12	180 ⁺⁰ ₋₃	2.0 min 2.6 max	12.5 min 13.5 max	12.4 ^{+2.0} _{-0.0}	18.40



NOTES : (UNLESS OTHERWISE SPECIFIED)
 1. MATERIAL : ANTISTATIC POLYSTYRENE

TOLERANCES UNLESS OTHERWISE SPECIFIED
 DECIMAL : X ±.25
 .XXX ±.25
 ANGLE : ±

IDT
 www.IDT.com
 6024 Silver Creek Valley Road,
 San Jose, CA 95138
 PHONE: (408) 284-8200
 FAX: (408) 284-3572

TITLE: PLASTIC REEL, (7"/2" HUB, 12 MM WIDTH)	STOCK NO. N/A	DRAWING NO. MSC-7338-A	SCALE N/A
DO NOT SCALE DRAWING		SHEET 1 OF 1	

