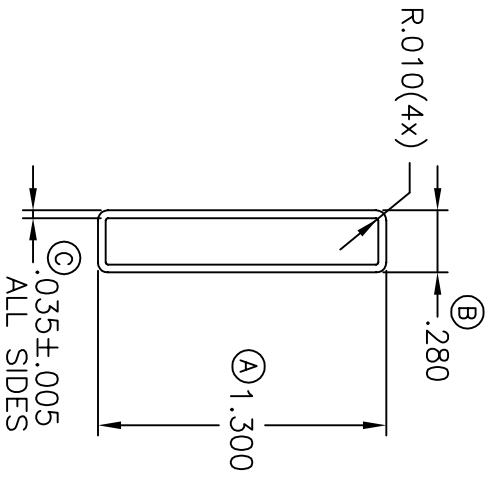
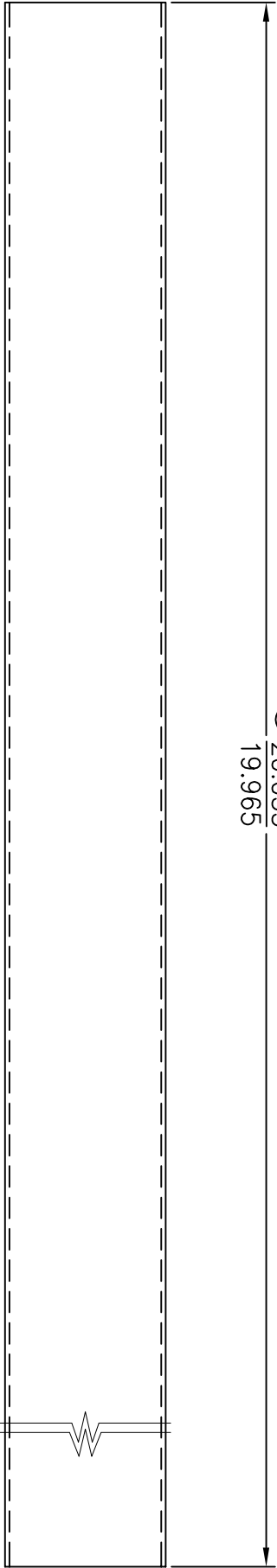


Ⓐ 20.035  
19.965



TOLERANCES UNLESS OTHERWISE SPECIFIED		ANGLE ±.5°	
DECIMAL	.25		
XX	±.13		
XXX	±.13		
APPROVALS	DATE	WWW.IDT.COM	
DRAWN		6024 Silver Creek Valley Road, San Jose, CA 95138 PHONE: (408) 284-8200 FAX: (408) 284-5572	

TITLE:		SCALE	
PL/PLG 84 SHIPPING TUBE		N/A	
STOCK NO.	DRAWING NO.	REV	SIZE
N/A	MSC-7523-A	00	
DO NOT SCALE DRAWING		SHEET 1 OF 1	