

## Supplemental Information

This Document Errata reflects changes made on the datasheet for device 854S006I.

## Revision History

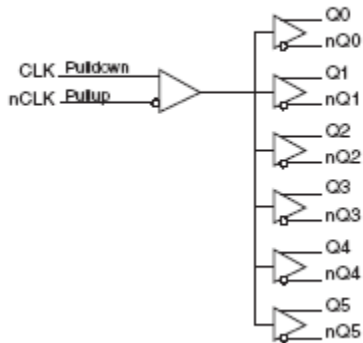
**January 27, 2010:** First version of documentation errata for this device. There is no change to the actual characteristics or design of the device. This is only a change to the datasheet to correct a datasheet error.

## Errata Items

PAGE	DESCRIPTION OF CHANGE
Page 1	<b>Block Diagram.</b> Update Pullup and Pulldown of CLK and nCLK on the block diagram

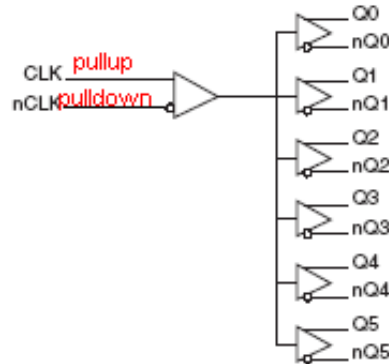
FROM

### BLOCK DIAGRAM



TO

### BLOCK DIAGRAM



Page 2	<p><b>Table 1. Pin Descriptions</b></p> <p>Update the Pullup and Pulldown on CLK and nCLK under column type in Table 1. (Illustrated in Page 2)</p>
Page 3	<p><b>Table 4C. Differential DC Characteristics</b></p> <p>Update the spec for input leakage current to reflect correct Pullup and Pulldown pins and Sage process. (Illustrated in Page 2)</p>

FROM

TABLE 1. PIN DESCRIPTIONS

Number	Name	Type	Description
1	nCLK	Input Pullup	Inverting differential clock input.
2	CLK	Input Pulldown	Non-inverting differential clock input.

TABLE 4C. DIFFERENTIAL DC CHARACTERISTICS,  $V_{DD} = V_{DDO} = 3.3V \pm 5\%$  OR  $2.5V \pm 5\%$ ,  $T_A = -40^\circ C$  TO  $85^\circ C$

Symbol	Parameter	Test Conditions	Minimum	Typical	Maximum	Units
$I_{IH}$	Input High Current	CLK	$V_{DD} = V_{IN} = 3.465V$ or $2.625V$		150	$\mu A$
		nCLK	$V_{DD} = 3.465V$ or $2.625V$ , $V_{IN} = 0V$		5	$\mu A$
$I_{IL}$	Input Low Current	CLK	$V_{DD} = V_{IN} = 3.465V$ or $2.625V$	-5		$\mu A$
		nCLK	$V_{DD} = 3.465V$ or $2.625V$ , $V_{IN} = 0V$	-150		$\mu A$

TO:

TABLE 1. PIN DESCRIPTIONS

Number	Name	Type	Description
1	nCLK	Input pulldown	Inverting differential clock input.
2	CLK	Input pullup	Non-inverting differential clock input.

TABLE 4C. DIFFERENTIAL DC CHARACTERISTICS,  $V_{DD} = V_{DDO} = 3.3V \pm 5\%$  OR  $2.5V \pm 5\%$ ,  $T_A = -40^\circ C$  TO  $85^\circ C$

Symbol	Parameter	Test Conditions	Minimum	Typical	Maximum	Units
$I_{IH}$	Input High Current	nCLK	$V_{DD} = V_{IN} = 3.465V$ or $2.625V$		150	$\mu A$
		CLK	$V_{DD} = 3.465V$ or $2.625V$ , $V_{IN} = 0V$		10	$\mu A$
$I_{IL}$	Input Low Current	nCLK	$V_{DD} = V_{IN} = 3.465V$ or $2.625V$	-10		$\mu A$
		CLK	$V_{DD} = 3.465V$ or $2.625V$ , $V_{IN} = 0V$	-150		$\mu A$