

Description

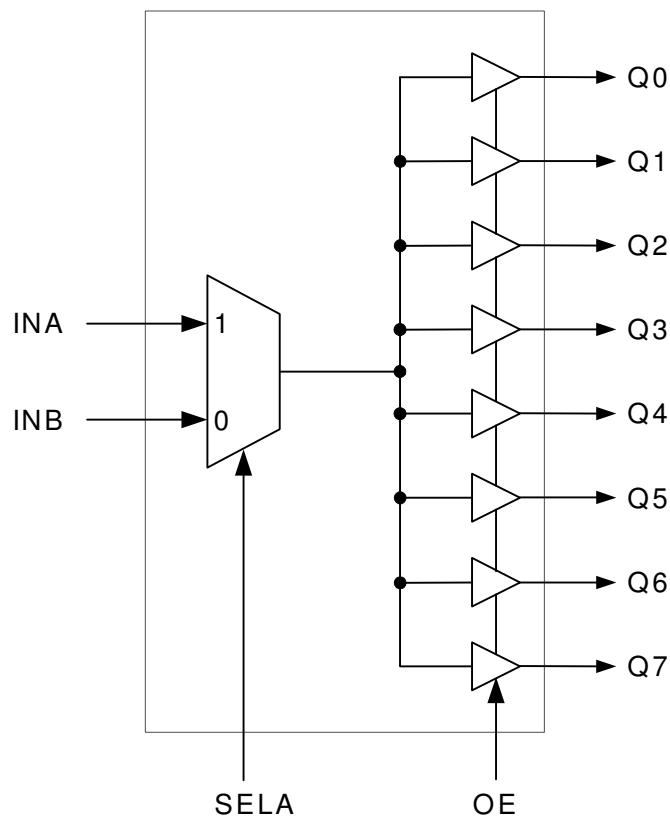
The ICS552-02 is a low skew, single-input to eight-output clock buffer. The device offers a dual input with pin select for switching between two clock sources. It is part of IDT's ClockBlocks™ family. See the ICS553 for a 1 to 4 low skew buffer. For more than 8 outputs see the MK74CBxxx Buffalo™ series of clock drivers.

IDT makes many non-PLL and PLL based low skew output devices as well as Zero Delay Buffers to synchronize clocks. Contact us for all of your clocking needs.

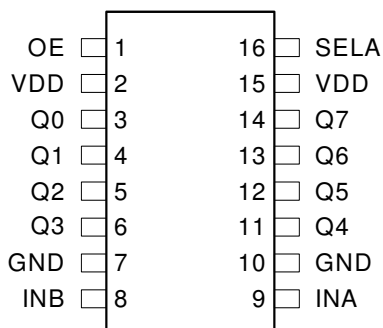
Features

- Extremely low skew outputs (50ps maximum)
- Packaged in 16 pin TSSOP
- Pb (lead) free package
- Low power CMOS technology
- Operating Voltages of 2.5 V to 5 V
- Output Enable pin tri-states outputs
- 5 V tolerant input clocks
- Input/Output clock frequency up to 200 MHz
- Input clock multiplexer simplifies clock selection
- Industrial temperature

Block Diagram



Pin Assignment



16 Pin TSSOP

Input Source Select

| SELA | Input |
|------|-------|
| 0 | INB |
| 1 | INA |

Pin Descriptions

| Pin Number | Pin Name | Pin Type | Pin Description |
|------------|----------|----------|--|
| 1 | OE | Input | Output Enable. Tri-states outputs when low. Internal pull-up resistor. |
| 2 | VDD | Power | Connect to +2.5V, +3.3V or +5.0V. Must be the same as pin 15. |
| 3 | Q0 | Output | Clock Output 0 |
| 4 | Q1 | Output | Clock Output 1 |
| 5 | Q2 | Output | Clock Output 2 |
| 6 | Q3 | Output | Clock Output 3 |
| 7 | GND | Power | Connect to ground. |
| 8 | INB | Input | Clock Input B. 5V tolerant input. |
| 9 | INA | Input | Clock Input A. 5V tolerant input. |
| 10 | GND | Power | Connect to ground. |
| 11 | Q4 | Output | Clock Output 4 |
| 12 | Q5 | Output | Clock Output 5 |
| 13 | Q6 | Output | Clock Output 6 |
| 14 | Q7 | Output | Clock Output 7 |
| 15 | VDD | Power | Connect to + 2.5V, +3.3V or +5.0V. Must be the same as pin 2. |
| 16 | SELA | Input | Selects either INA or INB. Internal pull-up resistor. |

External Components

A minimum number of external components are required for proper operation. Decoupling capacitors of 0.01 μ F should be connected between VDD on pin 2 and GND on pin 7, and between VDD on pin 15 and GND on pin 10, as close to the device as possible. A 33 Ω series terminating resistor should be used on each clock output if the trace is longer than 1 inch.

To achieve the low output skews that the ICS552-02 is capable of, careful attention must be paid to board layout. Essentially, all 8 outputs must have identical terminations, identical loads, and identical trace geometries. If they do not, the output skew will be degraded. For example, using a 30 Ω series termination on one output (with 33 Ω on the others) will cause at least 15ps of skew.

Absolute Maximum Ratings

Stresses above the ratings listed below can cause permanent damage to the ICS552-02. These ratings, which are standard values for IDT commercially rated parts, are stress ratings only. Functional operation of the device at these or any other conditions above those indicated in the operational sections of the specifications is not implied. Exposure to absolute maximum rating conditions for extended periods can affect product reliability. Electrical parameters are guaranteed only over the recommended operating temperature range.

| Item | Rating |
|-------------------------------|---------------------|
| Supply Voltage, VDD | 7 V |
| SELA, OE, and all Outputs | -0.5 V to VDD+0.5 V |
| INA and INB | -0.5V to 5.5V |
| Ambient Operating Temperature | -40 to +85 °C |
| Storage Temperature | -65 to +150 °C |
| Junction Temperature | 175 °C |
| Soldering Temperature | 260 °C |

Recommended Operation Conditions

| Parameter | Min. | Typ. | Max. | Units |
|---|--------|------|-------|-------|
| Ambient Operating Temperature | -40 | – | +85 | °C |
| Power Supply Voltage (measured in respect to GND) | +2.375 | | +5.25 | V |

DC Electrical Characteristics

VDD=2.5 V ±5%, Ambient temperature -40 to +85 °C, unless stated otherwise

| Parameter | Symbol | Conditions | Min. | Typ. | Max. | Units |
|------------------------------|-----------------|--------------------------|-----------|------|-----------|-------|
| Operating Voltage | VDD | | 2.375 | | 2.625 | V |
| Input High Voltage, INA, INB | V _{IH} | Note 1 | VDD/2+0.5 | | 5.5 | V |
| Input Low Voltage, INA, INB | V _{IL} | Note 1 | | | VDD/2-0.5 | V |
| Input High Voltage, OE, SELA | V _{IH} | | 1.8 | | VDD | V |
| Input Low Voltage, OE, SELA | V _{IL} | | | | 0.7 | V |
| Output High Voltage | V _{OH} | I _{OH} = -16 mA | 2 | | | V |
| Output Low Voltage | V _{OL} | I _{OL} = 16 mA | | | 0.4 | V |
| Operating Supply Current | IDD | No load, 135 MHz | | 35 | | mA |
| Short Circuit Current | I _{OS} | Each output | | 60 | | mA |

DC Electrical Characteristics (continued)

VDD=3.3 V ±5%, Ambient temperature -40 to +85 °C, unless stated otherwise

| Parameter | Symbol | Conditions | Min. | Typ. | Max. | Units |
|----------------------------------|-----------------|--------------------------|-----------|------|-----------|-------|
| Operating Voltage | VDD | | 3.135 | | 3.465 | V |
| Input High Voltage, INA, INB | V _{IH} | Note 1 | VDD/2+0.7 | | 5.5 | V |
| Input Low Voltage, INA, INB | V _{IL} | Note 1 | | | VDD/2-0.7 | V |
| Input High Voltage, OE, SELA | V _{IH} | | 2 | | VDD | V |
| Input Low Voltage, OE, SELA | V _{IL} | | | | 0.8 | V |
| Output High Voltage | V _{OH} | I _{OH} = -25 mA | 2.4 | | | V |
| Output Low Voltage | V _{OL} | I _{OH} = 25 mA | | | 0.4 | V |
| Output High Voltage (CMOS Level) | V _{OH} | I _{OH} = -12 mA | VDD-0.4 | | | V |
| Operating Supply Current | IDD | No load, 135 MHz | | 50 | | mA |
| Short Circuit Current | I _{OS} | Each output | | 80 | | mA |

VDD=5 V ±5%, Ambient temperature -40 to +85 °C, unless stated otherwise

| Parameter | Symbol | Conditions | Min. | Typ. | Max. | Units |
|----------------------------------|-----------------|--------------------------|---------|------|---------|-------|
| Operating Voltage | VDD | | 4.75 | | 5.25 | V |
| Input High Voltage, INA, INB | V _{IH} | Note 1 | VDD/2+1 | | 5.5 | V |
| Input Low Voltage, INA, INB | V _{IL} | Note 1 | | | VDD/2-1 | V |
| Input High Voltage, OE, SELA | V _{IH} | | 2 | | VDD | V |
| Input Low Voltage, OE, SELA | V _{IL} | | | | 0.8 | V |
| Output High Voltage | V _{OH} | I _{OH} = -35 mA | 2.4 | | | V |
| Output Low Voltage | V _{OL} | I _{OL} = 35 mA | | | 0.4 | V |
| Output High Voltage (CMOS Level) | V _{OH} | I _{OH} = -12 mA | VDD-0.4 | | | V |
| Operating Supply Current | IDD | No load, 135 MHz | | 85 | | mA |
| Short Circuit Current | I _{OS} | Each output | | 100 | | mA |

Note: 1. Nominal switching threshold is VDD/2

AC Electrical Characteristics

VDD = 2.5V ±5%, Ambient Temperature -40 to +85 °C, unless stated otherwise

| Parameter | Symbol | Conditions | Min. | Typ. | Max. | Units |
|-------------------------|-----------------|-------------------------------------|------|------|------|-------|
| Input Frequency | | | 0 | | 200 | MHz |
| Output Rise Time | t _{OR} | 0.8 to 2.0 V, C _L =15 pF | | 1.0 | 1.5 | ns |
| Output Fall Time | t _{OF} | 2.0 to 0.8 V, C _L =15 pF | | 1.0 | 1.5 | ns |
| Propagation Delay | Note 1 | | | 3.5 | | ns |
| Output to output skew | Note 2 | Rising edges at VDD/2 | | 0 | 50 | ps |
| Input A to Input B skew | Note 3 | | | 0 | 50 | ps |

VDD = 3.3V ±5%, Ambient Temperature -40 to +85 °C, unless stated otherwise

| Parameter | Symbol | Conditions | Min. | Typ. | Max. | Units |
|-------------------------|-----------------|-------------------------------------|------|------|------|-------|
| Input Frequency | | | 0 | | 200 | MHz |
| Output Rise Time | t _{OR} | 0.8 to 2.0 V, C _L =15 pF | | 0.6 | 1.0 | ns |
| Output Fall Time | t _{OF} | 2.0 to 0.8 V, C _L =15 pF | | 0.6 | 1.0 | ns |
| Propagation Delay | Note 1 | | 2.0 | 3.0 | 5.5 | ns |
| Output to output skew | Note 2 | Rising edges at VDD/2 | | 0 | 50 | ps |
| Input A to Input B skew | Note 3 | | | 0 | 50 | ps |
| Part to Part Skew | | | | | 3.5 | ns |

VDD = 5.0V ±5%, Ambient Temperature -40 to +85 °C, unless stated otherwise

| Parameter | Symbol | Conditions | Min. | Typ. | Max. | Units |
|-------------------------|-----------------|-------------------------------------|------|------|------|-------|
| Input Frequency | | | 0 | | 200 | MHz |
| Output Rise Time | t _{OR} | 0.8 to 2.0 V, C _L =15 pF | | 0.3 | 0.7 | ns |
| Output Fall Time | t _{OF} | 2.0 to 0.8 V, C _L =15 pF | | 0.3 | 0.7 | ns |
| Propagation Delay | Note 1 | | | 2.8 | | ns |
| Output to output skew | Note 2 | Rising edges at VDD/2 | | 0 | 50 | ps |
| Input A to Input B skew | Note 3 | | | 0 | 50 | ps |

Notes: 1. With rail-to-rail input clock.

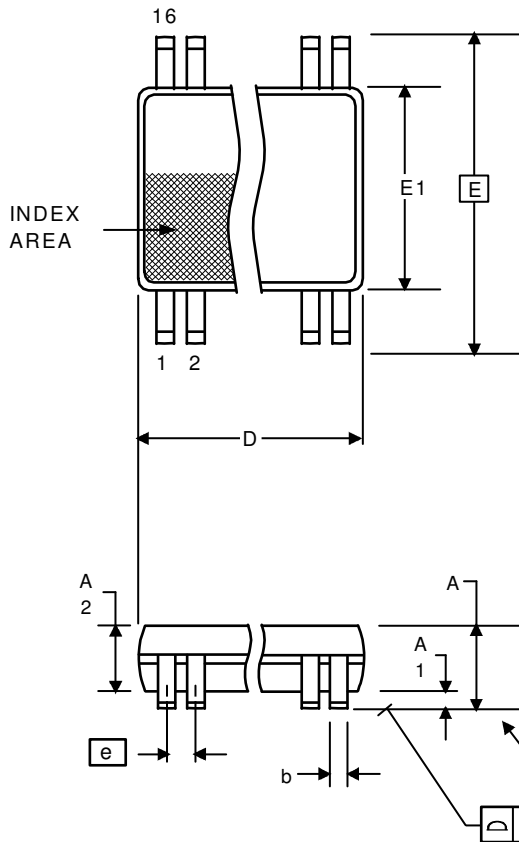
2. Between any two outputs with equal loading.

3. Propagation delay matching through the part.

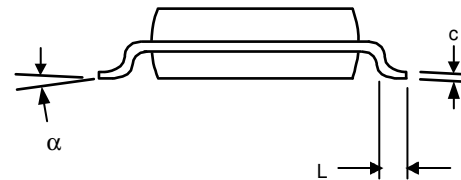
4. Duty cycle on outputs will match incoming clock duty cycle. Consult IDT for tight duty cycle clock generators.

Package Outline and Package Dimensions (16 pin TSSOP, 4.40 mm Body, 0.65 mm Pitch)

Package dimensions are kept current with JEDEC Publication No. 95, MO-153



| Symbol | Millimeters | | Inches | |
|----------|-------------|------|--------------|-------|
| | Min | Max | Min | Max |
| A | -- | 1.20 | -- | 0.047 |
| A1 | 0.05 | 0.15 | 0.002 | 0.006 |
| A2 | 0.80 | 1.05 | 0.032 | 0.041 |
| b | 0.19 | 0.30 | 0.007 | 0.012 |
| C | 0.09 | 0.20 | 0.0035 | 0.008 |
| D | 4.90 | 5.1 | 0.193 | 0.201 |
| E | 6.40 BASIC | | 0.252 BASIC | |
| E1 | 4.30 | 4.50 | 0.169 | 0.177 |
| e | 0.65 Basic | | 0.0256 Basic | |
| L | 0.45 | 0.75 | 0.018 | 0.030 |
| α | 0° | 8° | 0° | 8° |
| aaa | -- | 0.10 | -- | 0.004 |



Ordering Information

| Part / Order Number | Marking | Shipping Packaging | Package | Temperature |
|---------------------|----------|--------------------|--------------|---------------|
| 552G-02ILN | 552G02IN | Tubes | 16-pin TSSOP | -40 to +85 °C |
| 552G-02ILNT | 552G02IN | Tape and Reel | 16-pin TSSOP | -40 to +85 °C |

“LN” suffix to the part number are the Pb-Free configuration and are RoHS compliant.

While the information presented herein has been checked for both accuracy and reliability, Integrated Device Technology (IDT) assumes no responsibility for either its use or for the infringement of any patents or other rights of third parties, which would result from its use. No other circuits, patents, or licenses are implied. This product is intended for use in normal commercial applications. Any other applications such as those requiring extended temperature range, high reliability, or other extraordinary environmental requirements are not recommended without additional processing by IDT. IDT reserves the right to change any circuitry or specifications without notice. IDT does not authorize or warrant any IDT product for use in life support devices or critical medical instruments.

Notice

1. Descriptions of circuits, software and other related information in this document are provided only to illustrate the operation of semiconductor products and application examples. You are fully responsible for the incorporation or any other use of the circuits, software, and information in the design of your product or system. Renesas Electronics disclaims any and all liability for any losses and damages incurred by you or third parties arising from the use of these circuits, software, or information.
 2. Renesas Electronics hereby expressly disclaims any warranties against and liability for infringement or any other claims involving patents, copyrights, or other intellectual property rights of third parties, by or arising from the use of Renesas Electronics products or technical information described in this document, including but not limited to, the product data, drawings, charts, programs, algorithms, and application examples.
 3. No license, express, implied or otherwise, is granted hereby under any patents, copyrights or other intellectual property rights of Renesas Electronics or others.
 4. You shall not alter, modify, copy, or reverse engineer any Renesas Electronics product, whether in whole or in part. Renesas Electronics disclaims any and all liability for any losses or damages incurred by you or third parties arising from such alteration, modification, copying or reverse engineering.
 5. Renesas Electronics products are classified according to the following two quality grades: "Standard" and "High Quality". The intended applications for each Renesas Electronics product depends on the product's quality grade, as indicated below.
 - "Standard": Computers; office equipment; communications equipment; test and measurement equipment; audio and visual equipment; home electronic appliances; machine tools; personal electronic equipment; industrial robots; etc.
 - "High Quality": Transportation equipment (automobiles, trains, ships, etc.); traffic control (traffic lights); large-scale communication equipment; key financial terminal systems; safety control equipment; etc.Unless expressly designated as a high reliability product or a product for harsh environments in a Renesas Electronics data sheet or other Renesas Electronics document, Renesas Electronics products are not intended or authorized for use in products or systems that may pose a direct threat to human life or bodily injury (artificial life support devices or systems; surgical implantations; etc.), or may cause serious property damage (space system; undersea repeaters; nuclear power control systems; aircraft control systems; key plant systems; military equipment; etc.). Renesas Electronics disclaims any and all liability for any damages or losses incurred by you or any third parties arising from the use of any Renesas Electronics product that is inconsistent with any Renesas Electronics data sheet, user's manual or other Renesas Electronics document.
 6. When using Renesas Electronics products, refer to the latest product information (data sheets, user's manuals, application notes, "General Notes for Handling and Using Semiconductor Devices" in the reliability handbook, etc.), and ensure that usage conditions are within the ranges specified by Renesas Electronics with respect to maximum ratings, operating power supply voltage range, heat dissipation characteristics, installation, etc. Renesas Electronics disclaims any and all liability for any malfunctions, failure or accident arising out of the use of Renesas Electronics products outside of such specified ranges.
 7. Although Renesas Electronics endeavors to improve the quality and reliability of Renesas Electronics products, semiconductor products have specific characteristics, such as the occurrence of failure at a certain rate and malfunctions under certain use conditions. Unless designated as a high reliability product or a product for harsh environments in a Renesas Electronics data sheet or other Renesas Electronics document, Renesas Electronics products are not subject to radiation resistance design. You are responsible for implementing safety measures to guard against the possibility of bodily injury, injury or damage caused by fire, and/or danger to the public in the event of a failure or malfunction of Renesas Electronics products, such as safety design for hardware and software, including but not limited to redundancy, fire control and malfunction prevention, appropriate treatment for aging degradation or any other appropriate measures. Because the evaluation of microcomputer software alone is very difficult and impractical, you are responsible for evaluating the safety of the final products or systems manufactured by you.
 8. Please contact a Renesas Electronics sales office for details as to environmental matters such as the environmental compatibility of each Renesas Electronics product. You are responsible for carefully and sufficiently investigating applicable laws and regulations that regulate the inclusion or use of controlled substances, including without limitation, the EU RoHS Directive, and using Renesas Electronics products in compliance with all these applicable laws and regulations. Renesas Electronics disclaims any and all liability for damages or losses occurring as a result of your noncompliance with applicable laws and regulations.
 9. Renesas Electronics products and technologies shall not be used for or incorporated into any products or systems whose manufacture, use, or sale is prohibited under any applicable domestic or foreign laws or regulations. You shall comply with any applicable export control laws and regulations promulgated and administered by the governments of any countries asserting jurisdiction over the parties or transactions.
 10. It is the responsibility of the buyer or distributor of Renesas Electronics products, or any other party who distributes, disposes of, or otherwise sells or transfers the product to a third party, to notify such third party in advance of the contents and conditions set forth in this document.
 11. This document shall not be reprinted, reproduced or duplicated in any form, in whole or in part, without prior written consent of Renesas Electronics.
 12. Please contact a Renesas Electronics sales office if you have any questions regarding the information contained in this document or Renesas Electronics products.
- (Note1) "Renesas Electronics" as used in this document means Renesas Electronics Corporation and also includes its directly or indirectly controlled subsidiaries.
- (Note2) "Renesas Electronics product(s)" means any product developed or manufactured by or for Renesas Electronics.

(Rev.4.0-1 November 2017)

Corporate Headquarters

TOYOSU FORESIA, 3-2-24 Toyosu,
Koto-ku, Tokyo 135-0061, Japan
www.renesas.com

Contact Information

For further information on a product, technology, the most up-to-date version of a document, or your nearest sales office, please visit:
www.renesas.com/contact/

Trademarks

Renesas and the Renesas logo are trademarks of Renesas Electronics Corporation. All trademarks and registered trademarks are the property of their respective owners.