

Description

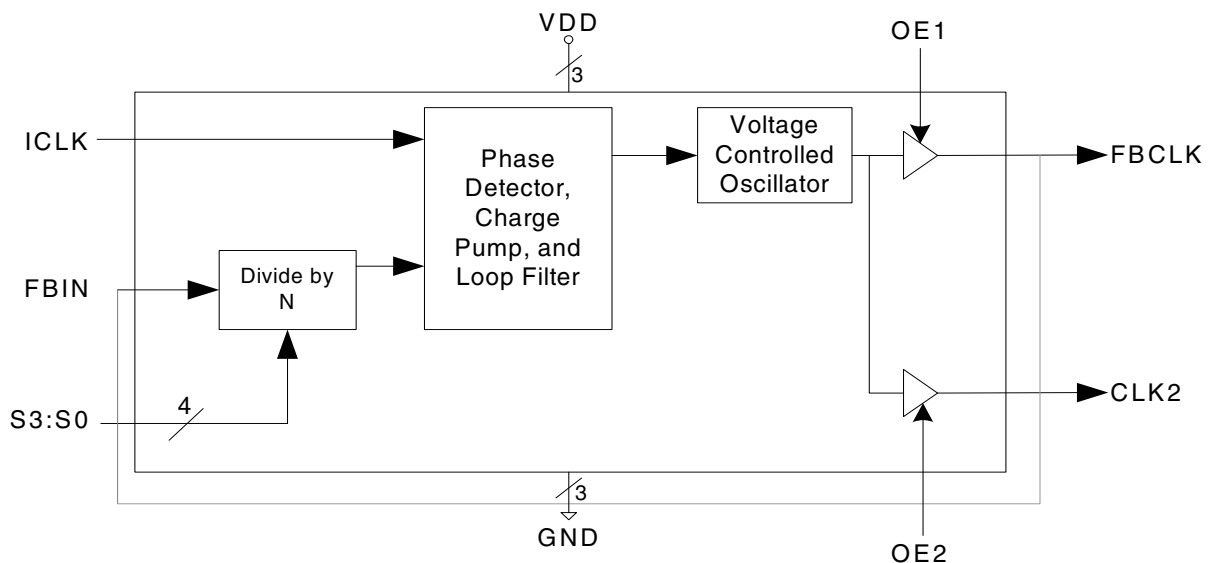
The ICS670-02 is a high speed, low phase noise, Zero Delay Buffer (ZDB) which integrates IDT's proprietary analog/digital Phase Locked Loop (PLL) techniques. Part of IDT's ClockBlocks™ family, the part's zero delay feature means that the rising edge of the input clock aligns with the rising edges of the outputs giving the appearance of no delay through the device. There are two identical outputs on the chip. The FBCLK should be used to connect to the FBIN. Each output has its own output enable pin.

The ICS670-02 is ideal for synchronizing outputs in a large variety of systems, from personal computers to data communications to video. By allowing off-chip feedback paths, the chip can eliminate the delay through other devices. The 15 different on-chip multipliers work in a variety of applications. For other multipliers, including functional multipliers, see the ICS527.

Features

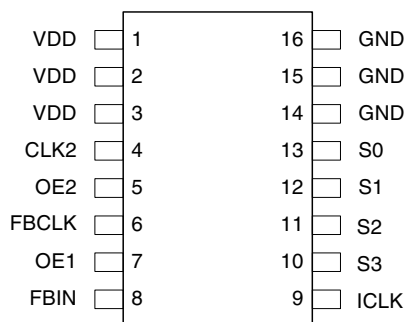
- Packaged in 16-pin SOIC
- Pb (lead) free package, RoHS compliant
- Clock inputs from 5 to 160 MHz (see page 2)
- Patented PLL with low phase noise
- Output clocks up to 160 MHz at 3.3 V
- 15 selectable on-chip multipliers
- Power down mode available
- Low phase noise: -111 dBc/Hz at 10 kHz
- Output enable function tri-states outputs
- Low jitter 15 ps one sigma
- Advanced, low power, sub-micron CMOS process
- Operating voltage of 3.3 V or 5 V
- Industrial temperature range available (-40 to +85°C)

Block Diagram



External Feedback from FBCLK is recommended.

Pin Assignment



Multiplier Select Table

| S3 | S2 | S1 | S0 | CLK2 (and FBCLK) | Input Range (MHz) |
|----|----|----|----|------------------------------|-------------------|
| 0 | 0 | 0 | 0 | Low (Power down entire chip) | - |
| 0 | 0 | 0 | 1 | Input x1.333 | 18 - 120 |
| 0 | 0 | 1 | 0 | Input x6 | 5 - 26.67 |
| 0 | 0 | 1 | 1 | Input x1.5 | 16.67 - 107 |
| 0 | 1 | 0 | 0 | Input x3.333 | 7.5 - 48 |
| 0 | 1 | 0 | 1 | Input x2.50 | 10 - 64 |
| 0 | 1 | 1 | 0 | Input x4 | 6 - 40 |
| 0 | 1 | 1 | 1 | Input x1 | 25 - 160 |
| 1 | 0 | 0 | 0 | Input x2.333 | 11 - 69 |
| 1 | 0 | 0 | 1 | Input x2.666 | 10 - 60 |
| 1 | 0 | 1 | 0 | Input x12 | 5 - 13.33 |
| 1 | 0 | 1 | 1 | Input x3 | 8 - 53.33 |
| 1 | 1 | 0 | 0 | Input x10 | 5 - 16 |
| 1 | 1 | 0 | 1 | Input x5 | 6 - 32 |
| 1 | 1 | 1 | 0 | Input x8 | 5 - 20 |
| 1 | 1 | 1 | 1 | Input x2 | 12 - 80 |

Pin Descriptions

| Pin Number | Pin Name | Pin Type | Pin Description |
|------------|----------|----------|--|
| 1 - 3 | VDD | Input | Power supply. Connect both pins to the same voltage (either 3.3 V or 5 V). |
| 4 | CLK2 | Output | Clock output from VCO. Output frequency equals the input frequency times multiplier. |
| 5 | OE2 | Input | Output clock enable 2. Tri-states the clock 2 output when low. |
| 6 | FBCLK | Output | Clock output from VCO. Output frequency equals the input frequency times multiplier. |
| 7 | OE1 | Input | Output clock enable 1. Tri-states the feedback clock output when low. |
| 8 | FBIN | Input | Feedback clock input. |
| 9 | ICLK | Input | Clock input. Connect to a 5 - 160 MHz clock. |
| 10 | S3 | Input | Multiplier select pin 3. Determines outputs per table above. Internal pull-up. |
| 11 | S2 | Input | Multiplier select pin 2. Determines outputs per table above. Internal pull-up. |
| 12 | S1 | Input | Multiplier select pin 1. Determines outputs per table above. Internal pull-up. |
| 13 | S0 | Input | Multiplier select pin 0. Determines outputs per table above. Internal pull-up. |
| 14 - 16 | GND | Power | Connect to ground. |

External Components

The ICS670-02 requires a minimum number of external components for proper operation. Decoupling capacitors of 0.01 μ F should be connected between VDD and GND on pins 4 and 5, and VDD and GND on pins 13 and 12, as close to the device as possible. A series termination resistor of 33 Ω may be used to each clock output pin to reduce reflections.

Absolute Maximum Ratings

Stresses above the ratings listed below can cause permanent damage to the ICS670-02. These ratings, which are standard values for IDT commercially rated parts, are stress ratings only. Functional operation of the device at these or any other conditions above those indicated in the operational sections of the specifications is not implied. Exposure to absolute maximum rating conditions for extended periods can affect product reliability. Electrical parameters are guaranteed only over the recommended operating temperature range.

| Item | Rating |
|-------------------------------|---------------------|
| Supply Voltage, VDD | 7 V |
| All Inputs and Outputs | -0.5 V to VDD+0.5 V |
| Ambient Operating Temperature | 0 to +70° C |
| Storage Temperature | -65 to +150° C |
| Junction Temperature | 150° C |
| Soldering Temperature | 260° C |

Recommended Operation Conditions

| Parameter | Min. | Typ. | Max. | Units |
|---|------|------|------|-------|
| Ambient Operating Temperature | 0 | | +70 | °C |
| Power Supply Voltage (measured in respect to GND) | +3.0 | | +5.5 | V |

DC Electrical Characteristics

VDD=3.3 V \pm 10%, Ambient temperature -40 to +85° C, unless stated otherwise

| Parameter | Symbol | Conditions | Min. | Typ. | Max. | Units |
|---------------------------------|-----------------|--------------------------|---------|------|------|-------|
| Operating Voltage | VDD | | 3.0 | | 5.5 | V |
| Input High Voltage | V _{IH} | | 2 | | | V |
| Input Low Voltage | V _{IL} | | | | 0.8 | V |
| Output High Voltage | V _{OH} | I _{OH} = -12 mA | 2.4 | | | V |
| Output Low Voltage | V _{OL} | I _{OL} = 12 mA | | | 0.4 | V |
| Output High Voltage, CMOS level | V _{OH} | I _{OH} = -4 mA | VDD-0.4 | | | V |
| Operating Supply Current | IDD | No Load | | 35 | | mA |

| Parameter | Symbol | Conditions | Min. | Typ. | Max. | Units |
|---------------------------|----------|-----------------|------|------|------|-------|
| Short Circuit Current | I_{OS} | Each output | | ±50 | | mA |
| Internal Pull-up Resistor | R_{PU} | OE, select pins | | 200 | | kΩ |
| Input Capacitance | C_{IN} | OE, select pins | | 5 | | pF |

AC Electrical Characteristics

VDD = 3.3V ±10%, Ambient Temperature -40 to +85° C, unless stated otherwise

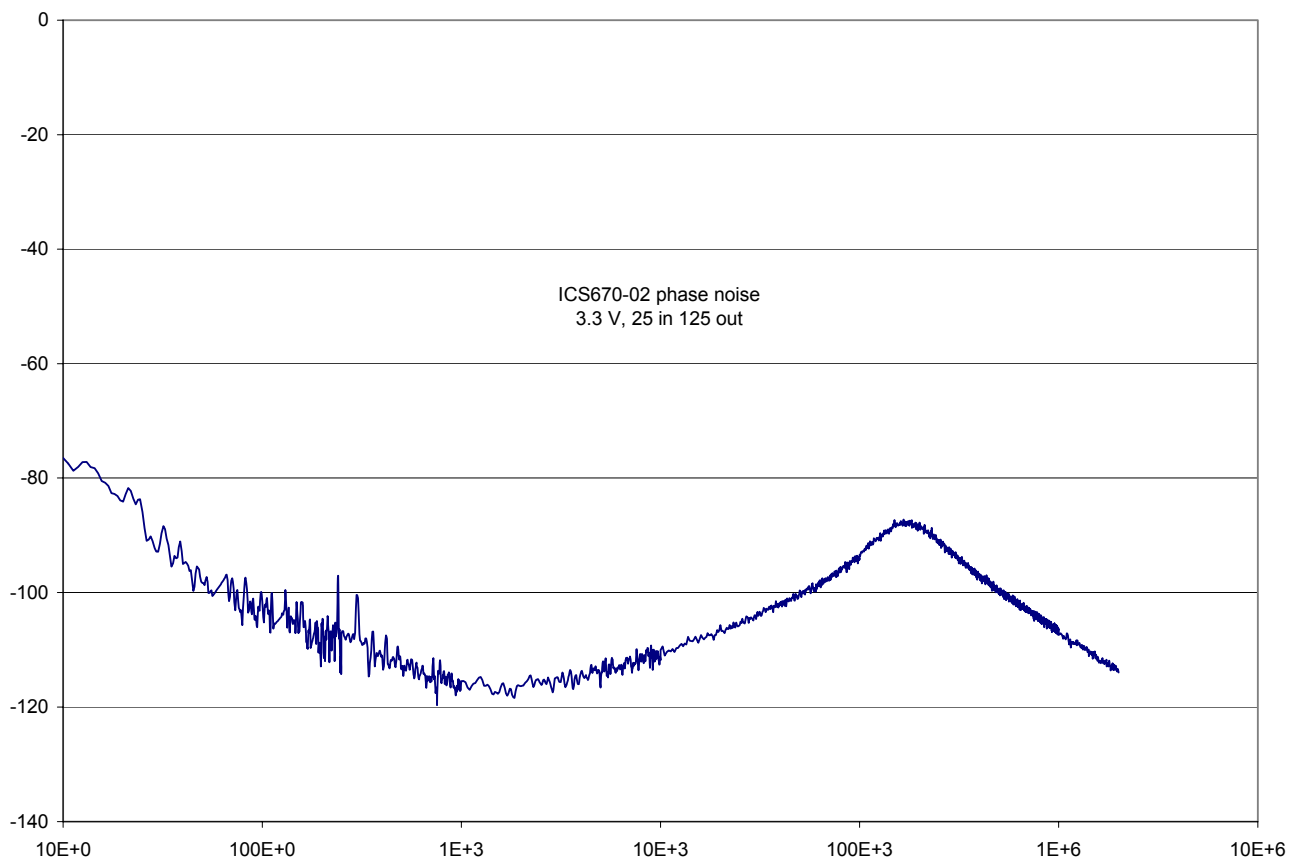
| Parameter | Symbol | Conditions | Min. | Typ. | Max. | Units |
|--|----------|-----------------------|------|------|------|--------|
| Input Clock Frequency | f_{IN} | See table on page 2 | 5 | | 160 | MHz |
| Output Clock Frequency | | | | | 160 | MHz |
| Output Rise Time | t_{OR} | 0.8 to 2.0 V, no load | | | 1.5 | ns |
| Output Fall Time | t_{OF} | 2.0 to 0.8 V, no load | | | 1.5 | ns |
| Output Clock Duty Cycle | t_{DC} | measured at VDD/2 | 45 | 50 | 55 | % |
| Input to Output Skew | | Note 1 | | ±100 | | ps |
| Maximum Absolute Jitter | | short term | | ±45 | | ps |
| Maximum Jitter | | one sigma | | 15 | | ps |
| Phase Noise, relative to carrier, 125 MHz (x5) | | 100 Hz offset | | -103 | | dBc/Hz |
| | | 1 kHz offset | | -117 | | dBc/Hz |
| | | 10 kHz | | -111 | | dBc/Hz |
| | | 200 kHz | | -88 | | dBc/Hz |

Note 1: Rising edge of ICLK compared with rising edge of CLK2, with FBCLK connected to FBIN, and 15 pF load on CLK2.

Thermal Characteristics

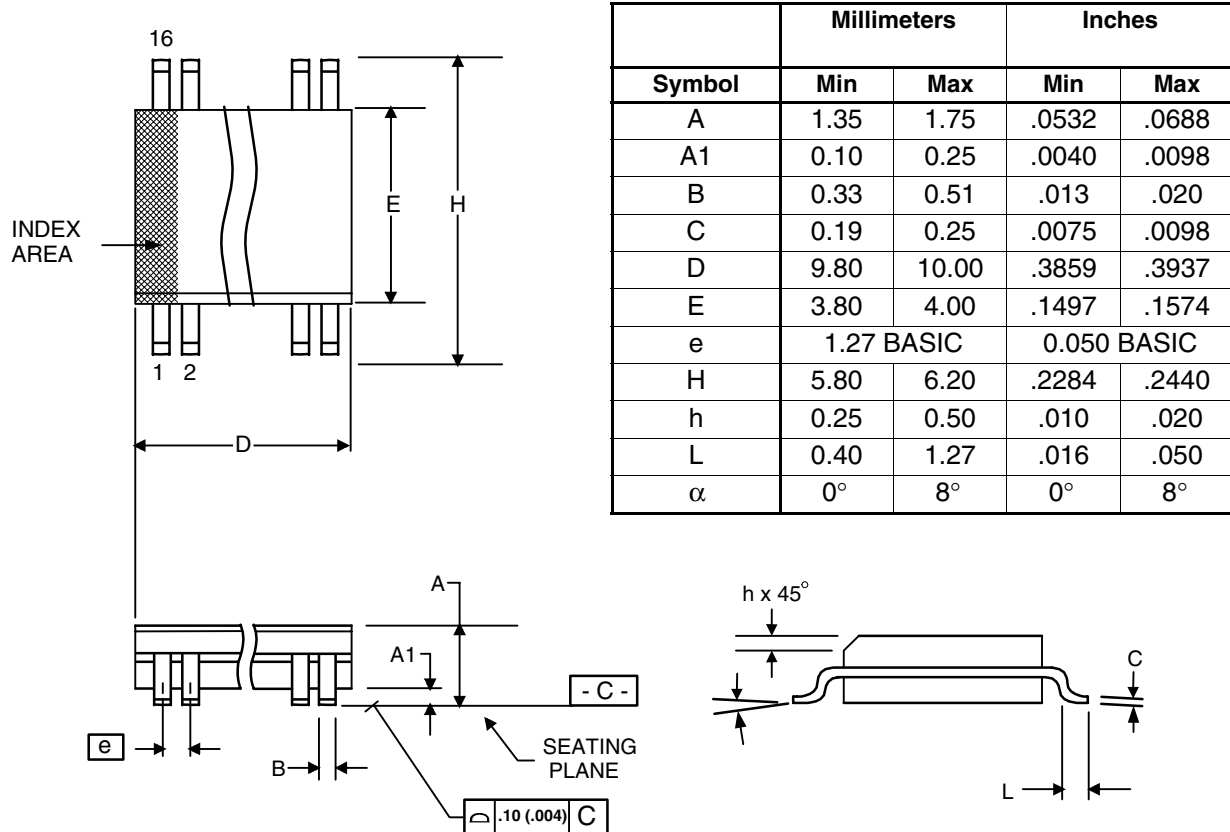
| Parameter | Symbol | Conditions | Min. | Typ. | Max. | Units |
|--|---------------|----------------|------|------|------|-------|
| Thermal Resistance Junction to Ambient | θ_{JA} | Still air | | 120 | | °C/W |
| | θ_{JA} | 1 m/s air flow | | 115 | | °C/W |
| | θ_{JA} | 3 m/s air flow | | 105 | | °C/W |
| Thermal Resistance Junction to Case | θ_{JC} | | | 58 | | °C/W |

Phase Noise for 125 MHz output, 25 MHz clock input (VDD = 3.3 V)



Package Outline and Package Dimensions (16-pin SOIC, 150 Mil. Narrow Body)

Package dimensions are kept current with JEDEC Publication No. 95



Ordering Information

| Part / Order Number | Marking | Shipping Packaging | Package | Temperature |
|---------------------|------------|--------------------|-------------|---------------|
| 670M-02LF | 670M-02LF | Tubes | 16-pin SOIC | 0 to +70° C |
| 670M-02LFT | 670M-02LF | Tape and Reel | 16-pin SOIC | 0 to +70° C |
| 670MI-02LF | 670MI-02LF | Tubes | 16-pin SOIC | -40 to +85° C |
| 670MI-02LFT | 670MI-02LF | Tape and Reel | 16-pin SOIC | -40 to +85° C |

"LF" suffix to the part number are the Pb-Free configuration and are RoHS compliant.

While the information presented herein has been checked for both accuracy and reliability, Integrated Device Technology (IDT) assumes no responsibility for either its use or for the infringement of any patents or other rights of third parties, which would result from its use. No other circuits, patents, or licenses are implied. This product is intended for use in normal commercial applications. Any other applications such as those requiring extended temperature range, high reliability, or other extraordinary environmental requirements are not recommended without additional processing by IDT. IDT reserves the right to change any circuitry or specifications without notice. IDT does not authorize or warrant any IDT product for use in life support devices or critical medical instruments.

Notice

1. Descriptions of circuits, software and other related information in this document are provided only to illustrate the operation of semiconductor products and application examples. You are fully responsible for the incorporation or any other use of the circuits, software, and information in the design of your product or system. Renesas Electronics disclaims any and all liability for any losses and damages incurred by you or third parties arising from the use of these circuits, software, or information.
2. Renesas Electronics hereby expressly disclaims any warranties against and liability for infringement or any other claims involving patents, copyrights, or other intellectual property rights of third parties, by or arising from the use of Renesas Electronics products or technical information described in this document, including but not limited to, the product data, drawings, charts, programs, algorithms, and application examples.
3. No license, express, implied or otherwise, is granted hereby under any patents, copyrights or other intellectual property rights of Renesas Electronics or others.
4. You shall not alter, modify, copy, or reverse engineer any Renesas Electronics product, whether in whole or in part. Renesas Electronics disclaims any and all liability for any losses or damages incurred by you or third parties arising from such alteration, modification, copying or reverse engineering.
5. Renesas Electronics products are classified according to the following two quality grades: "Standard" and "High Quality". The intended applications for each Renesas Electronics product depends on the product's quality grade, as indicated below.
 - "Standard": Computers; office equipment; communications equipment; test and measurement equipment; audio and visual equipment; home electronic appliances; machine tools; personal electronic equipment; industrial robots; etc.
 - "High Quality": Transportation equipment (automobiles, trains, ships, etc.); traffic control (traffic lights); large-scale communication equipment; key financial terminal systems; safety control equipment; etc.Unless expressly designated as a high reliability product or a product for harsh environments in a Renesas Electronics data sheet or other Renesas Electronics document, Renesas Electronics products are not intended or authorized for use in products or systems that may pose a direct threat to human life or bodily injury (artificial life support devices or systems; surgical implantations; etc.), or may cause serious property damage (space system; undersea repeaters; nuclear power control systems; aircraft control systems; key plant systems; military equipment; etc.). Renesas Electronics disclaims any and all liability for any damages or losses incurred by you or any third parties arising from the use of any Renesas Electronics product that is inconsistent with any Renesas Electronics data sheet, user's manual or other Renesas Electronics document.
6. When using Renesas Electronics products, refer to the latest product information (data sheets, user's manuals, application notes, "General Notes for Handling and Using Semiconductor Devices" in the reliability handbook, etc.), and ensure that usage conditions are within the ranges specified by Renesas Electronics with respect to maximum ratings, operating power supply voltage range, heat dissipation characteristics, installation, etc. Renesas Electronics disclaims any and all liability for any malfunctions, failure or accident arising out of the use of Renesas Electronics products outside of such specified ranges.
7. Although Renesas Electronics endeavors to improve the quality and reliability of Renesas Electronics products, semiconductor products have specific characteristics, such as the occurrence of failure at a certain rate and malfunctions under certain use conditions. Unless designated as a high reliability product or a product for harsh environments in a Renesas Electronics data sheet or other Renesas Electronics document, Renesas Electronics products are not subject to radiation resistance design. You are responsible for implementing safety measures to guard against the possibility of bodily injury, injury or damage caused by fire, and/or danger to the public in the event of a failure or malfunction of Renesas Electronics products, such as safety design for hardware and software, including but not limited to redundancy, fire control and malfunction prevention, appropriate treatment for aging degradation or any other appropriate measures. Because the evaluation of microcomputer software alone is very difficult and impractical, you are responsible for evaluating the safety of the final products or systems manufactured by you.
8. Please contact a Renesas Electronics sales office for details as to environmental matters such as the environmental compatibility of each Renesas Electronics product. You are responsible for carefully and sufficiently investigating applicable laws and regulations that regulate the inclusion or use of controlled substances, including without limitation, the EU RoHS Directive, and using Renesas Electronics products in compliance with all these applicable laws and regulations. Renesas Electronics disclaims any and all liability for damages or losses occurring as a result of your noncompliance with applicable laws and regulations.
9. Renesas Electronics products and technologies shall not be used for or incorporated into any products or systems whose manufacture, use, or sale is prohibited under any applicable domestic or foreign laws or regulations. You shall comply with any applicable export control laws and regulations promulgated and administered by the governments of any countries asserting jurisdiction over the parties or transactions.
10. It is the responsibility of the buyer or distributor of Renesas Electronics products, or any other party who distributes, disposes of, or otherwise sells or transfers the product to a third party, to notify such third party in advance of the contents and conditions set forth in this document.
11. This document shall not be reprinted, reproduced or duplicated in any form, in whole or in part, without prior written consent of Renesas Electronics.
12. Please contact a Renesas Electronics sales office if you have any questions regarding the information contained in this document or Renesas Electronics products.

(Note1) "Renesas Electronics" as used in this document means Renesas Electronics Corporation and also includes its directly or indirectly controlled subsidiaries.

(Note2) "Renesas Electronics product(s)" means any product developed or manufactured by or for Renesas Electronics.

(Rev.4.0-1 November 2017)

Corporate Headquarters

TOYOSU FORESIA, 3-2-24 Toyosu,
Koto-ku, Tokyo 135-0061, Japan
www.renesas.com

Contact Information

For further information on a product, technology, the most up-to-date version of a document, or your nearest sales office, please visit:
www.renesas.com/contact/

Trademarks

Renesas and the Renesas logo are trademarks of Renesas Electronics Corporation. All trademarks and registered trademarks are the property of their respective owners.