

FEATURES:

- 0.5 MICRON CMOS Technology
- Typical $t_{sk(o)}$ (Output Skew) < 250ps
- ESD > 2000V per MIL-STD-883, Method 3015; > 200V using machine model (C = 200pF, R = 0)
- $V_{CCA} = 2.7V$ to $3.6V$
- $V_{CCB} = 5V \pm 0.5V$
- CMOS power levels ($0.4\mu W$ typ. static)
- Rail-to-Rail output swing for increased noise margin
- Available in SSOP and TSSOP packages

DRIVE FEATURES:

- High Output Drivers: $\pm 24mA$
- Suitable for heavy loads

DESCRIPTION:

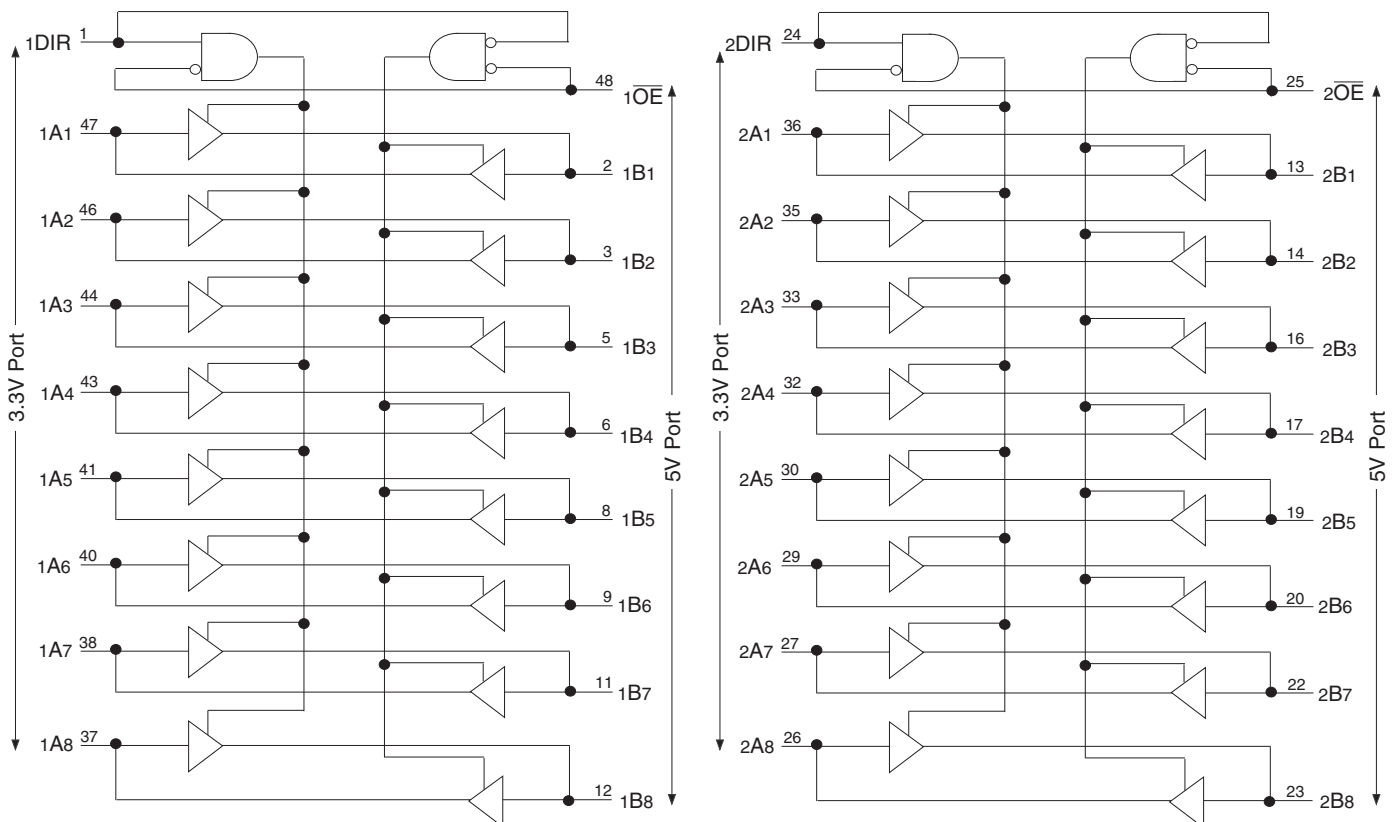
This 16-bit 3.3V to 5V level shifting transceiver is manufactured using advanced dual metal CMOS technology. The ALVC164245 contains two separate supply rails; B port has V_{CCB} , which is set at 5V, and A port has V_{CCA} , which is set to operate at 3.3V. This allows for translation from a 3.3V to 5V environment and vice-versa. This device is designed for asynchronous communication between data buses.

The ALVC164245 has been designed with a $\pm 24mA$ output driver. This driver is capable of driving a moderate to heavy load while maintaining speed performance.

APPLICATIONS:

- Mixed 3.3V and 5V High Speed Systems
- 5V PCI Interface to 3.3V PC Bus Structures
- Telecommunication Legacy Systems with transitions from 5V to 3.3V

FUNCTIONAL BLOCK DIAGRAM



IDT and the IDT logo is a registered trademark of Integrated Device Technology, Inc.

INDUSTRIAL TEMPERATURE RANGE

JULY 2018

PIN CONFIGURATION



TOP VIEW

Package Type	Package Code	Order Code
TSSOP	PAG48	PAG
SSOP	PVG48	PVG

PIN DESCRIPTION

Pin Names	Description
$\overline{xOE}^{(1)}$	Output Enable Inputs (Active LOW)
$xDIR^{(1)}$	Direction Output Controls
xAx	Port A Inputs or 3-State Outputs
xBx	Port B Inputs or 3-State Outputs

NOTE:
1. All control inputs are powered off V_{CCA} .

ABSOLUTE MAXIMUM RATINGS⁽¹⁾

Symbol	Description	Max	Unit
$V_{TERM}^{(2)}$	Terminal Voltage with Respect to GND	-0.5 to +6	V
$V_{TERM}^{(3)}$	Terminal Voltage with Respect to GND	-0.5 to +6	V
TSTG	Storage Temperature	-65 to +150	°C
I_{OUT}	DC Output Current	-50 to +50	mA
I_{IK}	Continuous Clamp Current, $V_I < 0$ or $V_I > V_{CC}$	±50	mA
I_{OK}	Continuous Clamp Current, $V_O < 0$	-50	mA
I_{CC} I_{SS}	Continuous Current through each V_{CC} or GND	±100	mA

NOTES:

- Stresses greater than those listed under ABSOLUTE MAXIMUM RATINGS may cause permanent damage to the device. This is a stress rating only and functional operation of the device at these or any other conditions above those indicated in the operational sections of this specification is not implied. Exposure to absolute maximum rating conditions for extended periods may affect reliability.
- V_{CC} terminals.
- All terminals except V_{CC} .

CAPACITANCE ($T_A = +25^\circ\text{C}$, $F = 1.0\text{MHz}$, $V_{CCA} = 3.3\text{V}$)

Symbol	Parameter ⁽¹⁾	Conditions	Typ.	Max.	Unit
C_{IN}	A Port Input Capacitance	$V_{IN} = 0\text{V}$	6.5	—	pF
$C_{I/O}$	A Port I/O Capacitance	$V_{IN} = 0\text{V}$	8.5	—	pF

NOTE:

- As applicable to the device type.

CAPACITANCE ($T_A = +25^\circ\text{C}$, $F = 1.0\text{MHz}$, $V_{CCB} = 5\text{V}$)

Symbol	Parameter ⁽¹⁾	Conditions	Typ.	Max.	Unit
C_{IN}	B Port Input Capacitance	$V_{IN} = 0\text{V}$	6.5	—	pF
$C_{I/O}$	B Port I/O Capacitance	$V_{IN} = 0\text{V}$	6.5	—	pF

NOTE:

- As applicable to the device type.

FUNCTION TABLE (EACH 8-BIT SECTION)⁽¹⁾

Inputs		Outputs
\overline{xOE}	$xDIR$	
L	L	Bus B Data to Bus A
L	H	Bus A Data to Bus B
H	X	High Z State

NOTE:

- H = HIGH Voltage Level
L = LOW Voltage Level
X = Don't Care
Z = High Impedance

DC ELECTRICAL CHARACTERISTICS OVER OPERATING RANGE (B PORT)⁽¹⁾

Following Conditions Apply Unless Otherwise Specified:

Operating Condition: $T_A = -40^{\circ}\text{C}$ to $+85^{\circ}\text{C}$

Symbol	Parameter	Test Conditions	Min.	Typ. ⁽²⁾	Max.	Unit	
V_{IH}	Input HIGH Voltage Level	$V_{CCB} = 4.5\text{V}$ to 5.5V	2	—	—	V	
V_{IL}	Input LOW Voltage Level	$V_{CCB} = 4.5\text{V}$ to 5.5V	—	—	0.8	V	
I_{IH}	Input HIGH Current	$V_{CCB} = 5.5\text{V}$	—	—	± 5	μA	
I_{IL}	Input LOW Current	$V_{CCB} = 5.5\text{V}$	—	—	± 5	μA	
I_{OZH}	High Impedance Output Current (3-State Output pins)	$V_{CCB} = 5.5\text{V}$	$V_O = V_{CC}$	—	—	± 10	μA
I_{OZL}			$V_O = \text{GND}$	—	—	± 10	
V_H	Input Hysteresis	$V_{CCB} = 4.5\text{V}$	—	100	—	mV	
I_{CCL} I_{CCH} I_{CCZ}	Quiescent Power Supply Current	$V_{CCB} = 5.5\text{V}$ $V_{IN} = \text{GND}$ or V_{CCB}	—	0.1	40	μA	
ΔI_{CC}	Quiescent Power Supply Current Variation	One input at 3.4V, other inputs at V_{CCB} or GND	—	—	750	μA	

NOTES:

- $V_{CCA} = 2.7\text{V}$ to 3.6V .
- Typical values are at $V_{CC} = 5\text{V}$, $+25^{\circ}\text{C}$ ambient.

DC ELECTRICAL CHARACTERISTICS OVER OPERATING RANGE (A PORT)^(1,2)

Following Conditions Apply Unless Otherwise Specified:

Operating Condition: $T_A = -40^{\circ}\text{C}$ to $+85^{\circ}\text{C}$

Symbol	Parameter	Test Conditions	Min.	Typ. ⁽³⁾	Max.	Unit	
V_{IH}	Input HIGH Voltage Level	$V_{CCA} = 2.7\text{V}$ to 3.6V	2	—	—	V	
V_{IL}	Input LOW Voltage Level	$V_{CCA} = 2.7\text{V}$ to 3.6V	—	—	0.8	V	
I_{IH}	Input HIGH Current	$V_{CCA} = 3.6\text{V}$	—	—	± 5	μA	
I_{IL}	Input LOW Current	$V_{CCA} = 3.6\text{V}$	—	—	± 5	μA	
I_{OZH}	High Impedance Output Current (3-State Output pins)	$V_{CCA} = 3.6\text{V}$	$V_O = V_{CC}$	—	—	± 10	μA
I_{OZL}			$V_O = \text{GND}$	—	—	± 10	
V_H	Input Hysteresis	$V_{CCA} = 3.3\text{V}$	—	100	—	mV	
I_{CCL} I_{CCH} I_{CCZ}	Quiescent Power Supply Current	$V_{CCA} = 3.6\text{V}$ $V_{IN} = \text{GND}$ or V_{CCA}	—	0.1	40	μA	
ΔI_{CC}	Quiescent Power Supply Current Variation	One input at $V_{CCA} - 0.6\text{V}$, other inputs at V_{CCA} or GND	—	—	750	μA	

NOTES:

- $V_{CCB} = 5\text{V} \pm 0.5\text{V}$.
- Control inputs $\overline{\text{XDIR}}$, $\overline{\text{OE}}$ are supplied from V_{CCA} .
- Typical values are at $V_{CC} = 3.3\text{V}$, $+25^{\circ}\text{C}$ ambient.

OUTPUT DRIVE CHARACTERISTICS, $V_{CCA} = 3.3V \pm 0.3V$ (A PORT)

Symbol	Parameter	Test Conditions ⁽¹⁾		Min.	Max.	Unit
VOH	Output HIGH Voltage (B Port to A Port)	$V_{CCA} = 2.7V$ to $3.6V$	$I_{OH} = -0.1mA$	$V_{CCA} - 0.2$	—	V
		$V_{CCA} = 2.7V$	$I_{OH} = -12mA$	2.2	—	
		$V_{CCA} = 3V$		2.4	—	
		$V_{CCA} = 3V$	$I_{OH} = -24mA$	2	—	
VOL	Output LOW Voltage (B Port to A Port)	$V_{CCA} = 2.7V$ to $3.6V$	$I_{OL} = 0.1mA$	—	0.2	V
		$V_{CCA} = 2.7V$	$I_{OL} = 12mA$	—	0.4	
		$V_{CCA} = 3V$	$I_{OL} = 24mA$	—	0.55	

NOTE:
1. V_{IH} and V_{IL} must be within the min. or max. range shown in the DC ELECTRICAL CHARACTERISTICS OVER OPERATING RANGE table for the appropriate V_{CC} range.
 $T_A = -40^\circ C$ to $+85^\circ C$; $V_{CCA} = 3.3V \pm 0.3V$.

OUTPUT DRIVE CHARACTERISTICS, $V_{CCB} = 5V \pm 0.5V$ (B PORT)

Symbol	Parameter	Test Conditions ⁽¹⁾		Min.	Max.	Unit
VOH	Output HIGH Voltage (A Port to B Port)	$V_{CCB} = 4.5V$	$I_{OH} = -0.1mA$	4.3	—	V
		$V_{CCB} = 5.5V$		5.3	—	
		$V_{CCB} = 4.5V$	$I_{OH} = -24mA$	3.7	—	
		$V_{CCB} = 5.5V$		4.7	—	
VOL	Output LOW Voltage (A Port to B Port)	$V_{CCB} = 4.5V$	$I_{OL} = 0.1mA$	—	0.2	V
		$V_{CCB} = 5.5V$		—	0.2	
		$V_{CCB} = 4.5V$	$I_{OL} = 24mA$	—	0.55	
		$V_{CCB} = 5.5V$		—	0.55	

NOTE:
1. V_{IH} and V_{IL} must be within the min. or max. range shown in the DC ELECTRICAL CHARACTERISTICS OVER OPERATING RANGE table for the appropriate V_{CC} range.
 $T_A = -40^\circ C$ to $+85^\circ C$; $V_{CCB} = 5V \pm 0.5V$.

OPERATING CHARACTERISTICS, $T_A = 25^\circ\text{C}$

Symbol	Parameter	Test Conditions	$V_{CCA} = 3.3\text{V}, V_{CCB} = 5\text{V}$		Unit
			Typical		
CPD	Power Dissipation Capacitance, Outputs enabled (A port or B port)	$C_L = 0\text{pF}, f = 10\text{MHz}$	56		pF
CPD	Power Dissipation Capacitance, Outputs disabled (A port or B port)		6		

SWITCHING CHARACTERISTICS⁽¹⁾

Symbol	Parameter	$V_{CCB} = 5\text{V} \pm 0.5\text{V}$				Unit
		$V_{CCA} = 2.7\text{V}$		$V_{CCA} = 3.3\text{V} \pm 0.3\text{V}$		
		Min.	Max.	Min.	Max.	
t_{PLH} t_{PHL}	Propagation Delay xAx to xBx	—	5.9	1	5.8	ns
t_{PLH} t_{PHL}	Propagation Delay xBx to xAx	—	6.7	1.2	5.8	ns
t_{PZH} t_{PZL}	Output Enable Time \overline{xOE} to xBx	—	9.3	1	8.9	ns
t_{PZH} t_{PZL}	Output Enable Time \overline{xOE} to xAx	—	10.2	2	9.1	ns
t_{PHZ} t_{PLZ}	Output Disable Time \overline{xOE} to xBx	—	9.2	2.1	9.4	ns
t_{PHZ} t_{PLZ}	Output Disable Time \overline{xOE} to xAx	—	9	2.9	8.6	ns

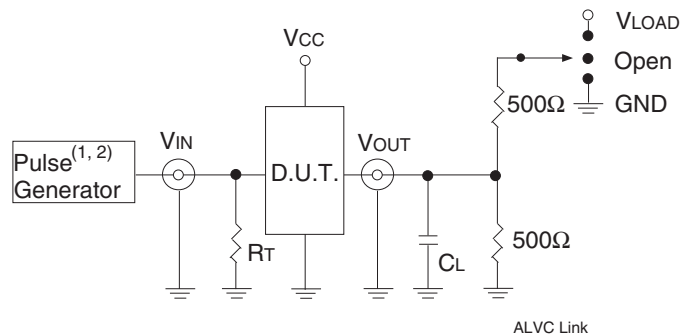
NOTE:

1. See TEST CIRCUITS AND WAVEFORMS. $T_A = -40^\circ\text{C}$ to $+85^\circ\text{C}$.

TEST CIRCUITS AND WAVEFORMS FOR $V_{CCA} = 3.3V \pm 0.3V$ AND $V_{CCA} = 2.7V$

TEST CONDITIONS

Symbol	$V_{CCA} = 3.3V \pm 0.3V$	$V_{CCA} = 2.7V$	Unit
V_{LOAD}	6	6	V
V_{IH}	3	3	V
V_T	1.5	1.5	V
V_{LZ}	300	300	mV
$V_{OH} - V_{HZ}$	300	300	mV
C_L	50	50	pF



Test Circuit for All Outputs

DEFINITIONS:

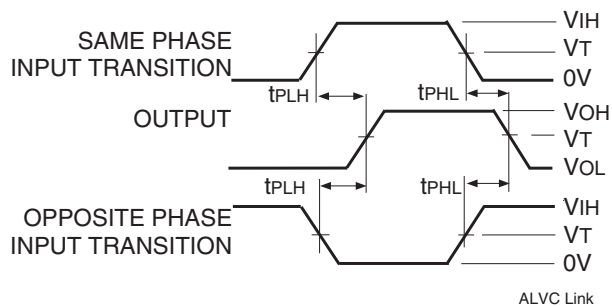
C_L = Load capacitance: includes jig and probe capacitance.
 R_T = Termination resistance: should be equal to Z_{out} of the Pulse Generator.

NOTE:

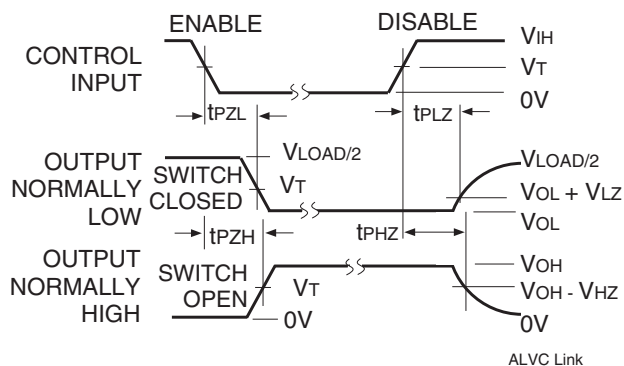
1. Pulse Generator for All Pulses: Rate $\leq 1.0MHz$; $t_f \leq 2.5ns$; $t_r \leq 2.5ns$.

SWITCH POSITION

Test	Switch
Disable Low Enable Low	V_{LOAD}
Disable High Enable High	GND
All Other Tests	Open



Propagation Delay



Enable and Disable Times

NOTE:

1. Diagram shown for input Control Enable-LOW and input Control Disable-HIGH.

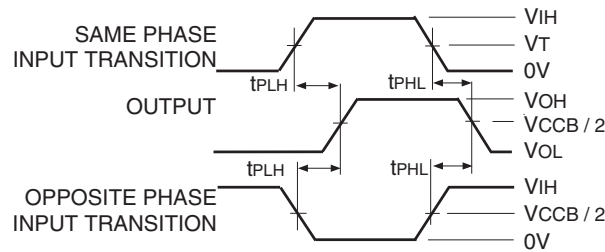
TEST CIRCUITS AND WAVEFORMS FOR $V_{CCB} = 5V \pm 0.5V$

TEST CONDITIONS (USE V_{CCA} TEST CIRCUIT)

Symbol	$V_{CCB}^{(1)} = 5V \pm 0.2V$	Unit
V_{LOAD}	$2 \times V_{CCB}$	V
V_{IH}	2.7	V
V_T	$1.5 \text{ or } V_{CCB} / 2$	V
V_{LZ}	20% of V_{CCB}	mV
V_{HZ}	80% of V_{CCB}	mV
C_L	50	pF

NOTE:

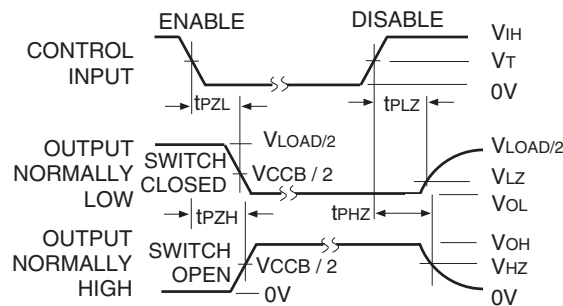
1. Pulse Generator for All Pulses: Rate $\leq 1.0\text{MHz}$; $t_f \leq 2.5\text{ns}$; $t_r \leq 2.5\text{ns}$.



Propagation Delay

NOTES:

1. For $t_{sk(o)}$ OUTPUT1 and OUTPUT2 are any two outputs.
2. For $t_{sk(b)}$ OUTPUT1 and OUTPUT2 are in the same bank.

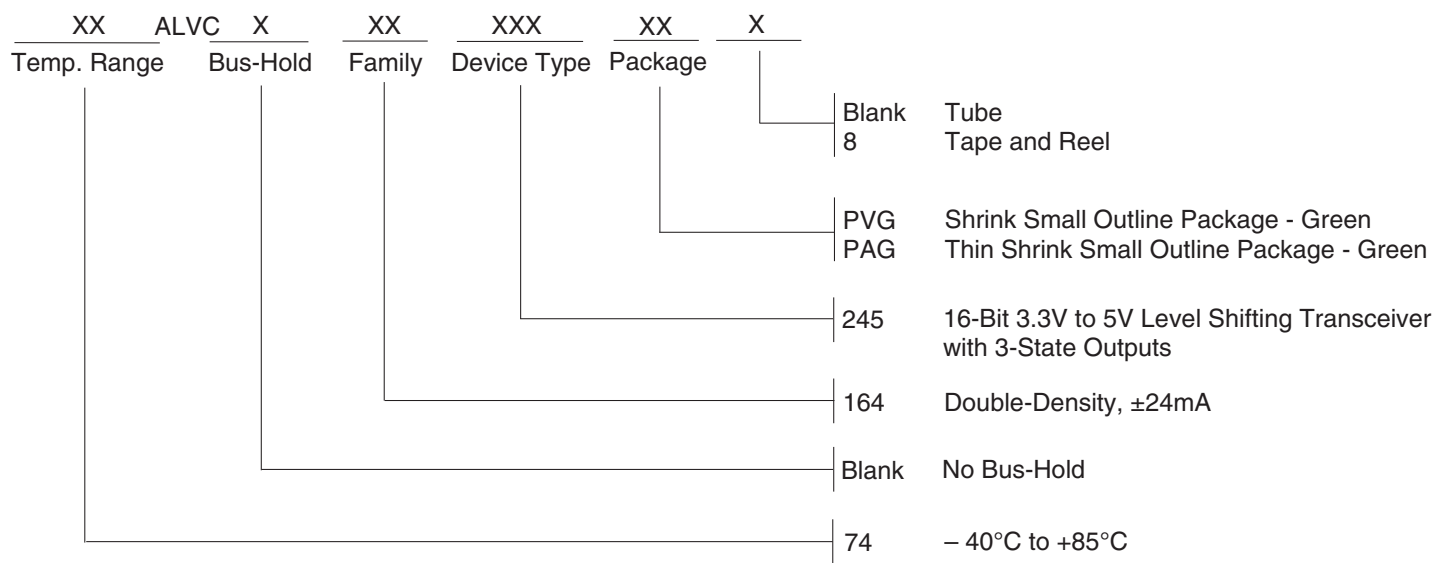


Enable and Disable Times

NOTE:

1. Diagram shown for input Control Enable-LOW and input Control Disable-HIGH.

ORDERING INFORMATION



Orderable Part Information

Speed (ns)	Orderable Part ID	Pkg. Code	Pkg. Type	Temp. Grade
	74ALVC164245PAG	PAG48	TSSOP	C
	74ALVC164245PAG8	PAG48	TSSOP	C
	74ALVC164245PVG	PVG48	SSOP	C
	74ALVC164245PVG8	PVG48	SSOP	C

Notice

1. Descriptions of circuits, software and other related information in this document are provided only to illustrate the operation of semiconductor products and application examples. You are fully responsible for the incorporation or any other use of the circuits, software, and information in the design of your product or system. Renesas Electronics disclaims any and all liability for any losses and damages incurred by you or third parties arising from the use of these circuits, software, or information.
2. Renesas Electronics hereby expressly disclaims any warranties against and liability for infringement or any other claims involving patents, copyrights, or other intellectual property rights of third parties, by or arising from the use of Renesas Electronics products or technical information described in this document, including but not limited to, the product data, drawings, charts, programs, algorithms, and application examples.
3. No license, express, implied or otherwise, is granted hereby under any patents, copyrights or other intellectual property rights of Renesas Electronics or others.
4. You shall not alter, modify, copy, or reverse engineer any Renesas Electronics product, whether in whole or in part. Renesas Electronics disclaims any and all liability for any losses or damages incurred by you or third parties arising from such alteration, modification, copying or reverse engineering.
5. Renesas Electronics products are classified according to the following two quality grades: "Standard" and "High Quality". The intended applications for each Renesas Electronics product depends on the product's quality grade, as indicated below.
 - "Standard": Computers; office equipment; communications equipment; test and measurement equipment; audio and visual equipment; home electronic appliances; machine tools; personal electronic equipment; industrial robots; etc.
 - "High Quality": Transportation equipment (automobiles, trains, ships, etc.); traffic control (traffic lights); large-scale communication equipment; key financial terminal systems; safety control equipment; etc.Unless expressly designated as a high reliability product or a product for harsh environments in a Renesas Electronics data sheet or other Renesas Electronics document, Renesas Electronics products are not intended or authorized for use in products or systems that may pose a direct threat to human life or bodily injury (artificial life support devices or systems; surgical implantations; etc.), or may cause serious property damage (space system; undersea repeaters; nuclear power control systems; aircraft control systems; key plant systems; military equipment; etc.). Renesas Electronics disclaims any and all liability for any damages or losses incurred by you or any third parties arising from the use of any Renesas Electronics product that is inconsistent with any Renesas Electronics data sheet, user's manual or other Renesas Electronics document.
6. When using Renesas Electronics products, refer to the latest product information (data sheets, user's manuals, application notes, "General Notes for Handling and Using Semiconductor Devices" in the reliability handbook, etc.), and ensure that usage conditions are within the ranges specified by Renesas Electronics with respect to maximum ratings, operating power supply voltage range, heat dissipation characteristics, installation, etc. Renesas Electronics disclaims any and all liability for any malfunctions, failure or accident arising out of the use of Renesas Electronics products outside of such specified ranges.
7. Although Renesas Electronics endeavors to improve the quality and reliability of Renesas Electronics products, semiconductor products have specific characteristics, such as the occurrence of failure at a certain rate and malfunctions under certain use conditions. Unless designated as a high reliability product or a product for harsh environments in a Renesas Electronics data sheet or other Renesas Electronics document, Renesas Electronics products are not subject to radiation resistance design. You are responsible for implementing safety measures to guard against the possibility of bodily injury, injury or damage caused by fire, and/or danger to the public in the event of a failure or malfunction of Renesas Electronics products, such as safety design for hardware and software, including but not limited to redundancy, fire control and malfunction prevention, appropriate treatment for aging degradation or any other appropriate measures. Because the evaluation of microcomputer software alone is very difficult and impractical, you are responsible for evaluating the safety of the final products or systems manufactured by you.
8. Please contact a Renesas Electronics sales office for details as to environmental matters such as the environmental compatibility of each Renesas Electronics product. You are responsible for carefully and sufficiently investigating applicable laws and regulations that regulate the inclusion or use of controlled substances, including without limitation, the EU RoHS Directive, and using Renesas Electronics products in compliance with all these applicable laws and regulations. Renesas Electronics disclaims any and all liability for damages or losses occurring as a result of your noncompliance with applicable laws and regulations.
9. Renesas Electronics products and technologies shall not be used for or incorporated into any products or systems whose manufacture, use, or sale is prohibited under any applicable domestic or foreign laws or regulations. You shall comply with any applicable export control laws and regulations promulgated and administered by the governments of any countries asserting jurisdiction over the parties or transactions.
10. It is the responsibility of the buyer or distributor of Renesas Electronics products, or any other party who distributes, disposes of, or otherwise sells or transfers the product to a third party, to notify such third party in advance of the contents and conditions set forth in this document.
11. This document shall not be reprinted, reproduced or duplicated in any form, in whole or in part, without prior written consent of Renesas Electronics.
12. Please contact a Renesas Electronics sales office if you have any questions regarding the information contained in this document or Renesas Electronics products.

(Note1) "Renesas Electronics" as used in this document means Renesas Electronics Corporation and also includes its directly or indirectly controlled subsidiaries.

(Note2) "Renesas Electronics product(s)" means any product developed or manufactured by or for Renesas Electronics.

(Rev.4.0-1 November 2017)

Corporate Headquarters

TOYOSU FORESIA, 3-2-24 Toyosu,
Koto-ku, Tokyo 135-0061, Japan
www.renesas.com

Contact Information

For further information on a product, technology, the most up-to-date version of a document, or your nearest sales office, please visit:
www.renesas.com/contact/

Trademarks

Renesas and the Renesas logo are trademarks of Renesas Electronics Corporation. All trademarks and registered trademarks are the property of their respective owners.