

## HIGHLIGHTS

- DPLL1 and DPLL2 can be used on line cards to manage the generation of synchronous port clocks and IEEE 1588 synchronization signals based on multiple system backplane references
- DPLL3 can be used on line cards to select incoming line clocks for use on system backplanes; it can also be used for general purpose timing applications
- APLL1 and APLL2 generate clocks with jitter < 1 ps RMS (12 kHz to 20 MHz) for: 1000BASE-T and 1000BASE-X ports and to generate IEEE 1588 time stamp clocks and 1 pulse per second (PPS) signals
- APLL3 is Voltage Controlled Crystal Oscillator (VCXO) based and generates clocks with jitter <0.3 ps RMS (10 kHz to 20 MHz) for: 10GBASE-R, 10GBASE-W, 40GBASE-R and 100GBASE-R
- Fractional-N input dividers support a wide range of reference frequencies
- DPLLs, APLL1 and APLL2 can be configured from an external EEPROM after reset

## FEATURES

- Differential reference inputs (IN1 to IN6) accept clock frequencies between 2 kHz and 650 MHz
- Single ended inputs (IN7 to IN12) accept reference clock frequencies between 2 kHz and 162.5 MHz
- Loss of Signal (LOS) pins (LOS0 to LOS3) can be assigned to any clock reference input
- Reference monitors qualify/disqualify references depending on activity, frequency and LOS pins
- Automatic reference selection state machines select the active reference for each DPLL based on the reference monitors, priority tables, revertive and non-revertive settings and other programmable settings
- Fractional-N input dividers enable the DPLLs to lock to a wide range of reference clock frequencies including: 10/100/1000 Ethernet, 10G/40G/100G Ethernet, OTN, SONET/SDH, PDH, TDM, GSM and GNSS frequencies
- Any reference inputs (IN1 to IN12) can be designated as external sync pulse inputs (1 PPS, 2 kHz, 4 kHz or 8 kHz) associated with a selectable reference clock input
- FRSYNC\_8K\_1PPS and MFRSYNC\_2K\_1PPS output sync pulses that are aligned with the selected external input sync pulse input and frequency locked to the associated reference clock input
- DPLL1 and DPLL2 can be configured with bandwidths between 18 Hz and 567 Hz
- DPLL1 and DPLL2 lock to input references with frequencies between 2 kHz and 650 MHz
- DPLL3 locks to input references with frequencies between 8 kHz and 650 MHz
- DPLL1 and DPLL2 generate clocks with PDH, TDM, GSM, CPRI/OBSAI, 10/100/1000 Ethernet and GNSS frequencies; these clocks are directly available on OUT1
- DPLL3 generates N x 8 kHz clocks up to 100 MHz that are output on OUT8 and OUT9
- APLL1, APLL2 and APLL3 can be connected to DPLL1 and DPLL2

- APLL1 and APLL2 generate 10/100/1000 Ethernet, 10G Ethernet, or SONET/SDH frequencies
- APLL3 generates 10G/40G/100G Ethernet, WAN-PHY and LAN-PHY frequencies
- Any of eight common TCXO/OCXO frequencies can be used for the System Clock: 10 MHz, 12.8 MHz, 13 MHz, 19.44 MHz, 20 MHz, 24.576 MHz, 25 MHz or 30.72 MHz
- The I2C slave interface can be used by a host processor to access the control and status registers
- The I2C master interface can automatically load a device configuration from an external EEPROM after reset; APLL3 must be configured via the I2C slave interface
- Differential outputs OUT3 to OUT6 output clocks with frequencies between 1 PPS and 650 MHz
- Differential outputs OUT10 and OUT11 output clocks with frequencies up to 650 MHz
- Single ended outputs OUT1, OUT2, and OUT7 output clocks with frequencies between 1 PPS and 125 MHz
- Single ended outputs OUT8 and OUT9 output clocks N\*8kHz multiplies up to 100 MHz
- DPLL1 and DPLL2 support independent programmable delays for each of IN1 to IN12; the delay for each input is programmable in steps of 0.61 ns with a range of  $\sim\pm 78$  ns
- The input to output phase delay of DPLL1 and DPLL2 is programmable in steps of 0.0745 ps with a total range of  $\pm 20$   $\mu$ s
- The clock phase of each of the output dividers for OUT1 to OUT7 is individually programmable in steps of  $\sim 200$  ps with a total range of  $\pm 180^\circ$
- 1149.1 JTAG Boundary Scan
- 144-pin CABGA green package

## APPLICATIONS

- Synchronous clock generation for 10/40G and lower rate, Ethernet, PON OLT and SONET/SDH line card
- Access routers, edge routers, core routers
- Carrier Ethernet switches
- Multi-service access platforms
- PON OLT
- LTE eNodeB

## DESCRIPTION

The 82P33741 Port Synchronizer for IEEE 1588 and 10G/40G Synchronous Ethernet provides tools to manage timing references, clock conversion and timing paths for IEEE 1588 and Synchronous Ethernet (SyncE). The device supports up to three independent timing paths for: IEEE 1588 clock generation; SyncE clock generation; and general purpose frequency translation. The device outputs low-jitter clocks that can directly synchronize 100GBASE-R, 40GBASE-R, 10GBASE-R and 10GBASE-W and lower-rate Ethernet interfaces; as well as CPRI/OBSAI, SONET/SDH and PDH interfaces and IEEE 1588 Time Stamp Units (TSUs).

The 82P33741 accepts six differential reference inputs and six single ended reference inputs that can operate at common Ethernet, SONET/SDH and PDH frequencies that range from 2 kHz to 650 MHz. The references are continually monitored for loss of signal and for frequency offset per user programmed thresholds. All of the references are available to all three Digital PLLs (DPLLs). The active reference for each DPLL is determined by forced selection or by automatic selection based on user programmed priorities, locking allowances, reference monitors, and LOS inputs.

The 82P33741 can accept a clock reference and an associated phase locked sync signal as a pair. DPLL1/DPLL2 can lock to the clock reference and align the frame sync and multi-frame sync outputs with the paired sync input. The device allows any of the differential or single ended reference inputs to be configured as sync inputs that can be associated with any of the other differential or single ended reference inputs. The input sync signals can have a frequency of 1 PPS, 2 kHz, 4kHz or 8 kHz. This feature enables DPLL1/DPLL2 to phase align its frame sync and multi-frame sync outputs with a sync input without the need use a low bandwidth setting to lock directly to the sync input.

The DPLLs support three primary operating modes: Free-Run, Locked and Holdover. In Free-Run mode the DPLLs synthesize clocks based on the system clock alone. In Locked mode the DPLLs filter reference clock jitter with the selected bandwidth. In Locked mode, the long-term output frequency accuracy is the same as the long term frequency accuracy of the selected input reference. In Holdover mode, the DPLL uses frequency data acquired while in Locked mode to generate accurate frequencies when input references are not available.

The 82P33741 requires a system clock for its reference monitors and other digital circuitry. The frequency accuracy of the system clock determines the frequency accuracy of the DPLLs in Free-Run mode. The frequency stability of the system clock determines the frequency stability of the DPLLs in Free-Run mode and in Holdover mode; and it affects the wander generation of the DPLLs in Locked mode.

DPLL1 and DPLL2 can be configured with a range of selectable filtering bandwidths from 18 Hz to 567 Hz. DPLL3 is a wideband (BW > 25Hz) frequency translator that can be used, for example, to convert a recovered SyncE clock to a 25MHz backplane clock.

Clocks generated by DPLL1 and DPLL2 can be passed through APLL1 or APLL2 which are LC based jitter attenuating Analog PLLs (APLLs). The output clocks generated by APLL1 and APLL2 are suitable for serial GbE and lower rate interfaces, and for IEEE 1588 time stamps clocks and 1 PPS signals.

Clocks generated by DPLL1 and DPLL2 can be passed through APLL3 which is a voltage controlled crystal oscillator (VCXO) based jitter attenuating APLL. APLL3 can be provisioned with one or two selectable crystal resonators to support up to two base frequencies. The output clocks generated by APLL3 are suitable for serial 10 GbE and lower rate interfaces.

All 82P33741 control and status registers are accessed through an I2C slave microprocessor interface. For configuring the DPLLs, APLL1 and APLL2, the I2C master interface can automatically load a configuration from an external EEPROM after reset. APLL3 must be configured via the I2C slave interface.

FUNCTIONAL BLOCK DIAGRAM

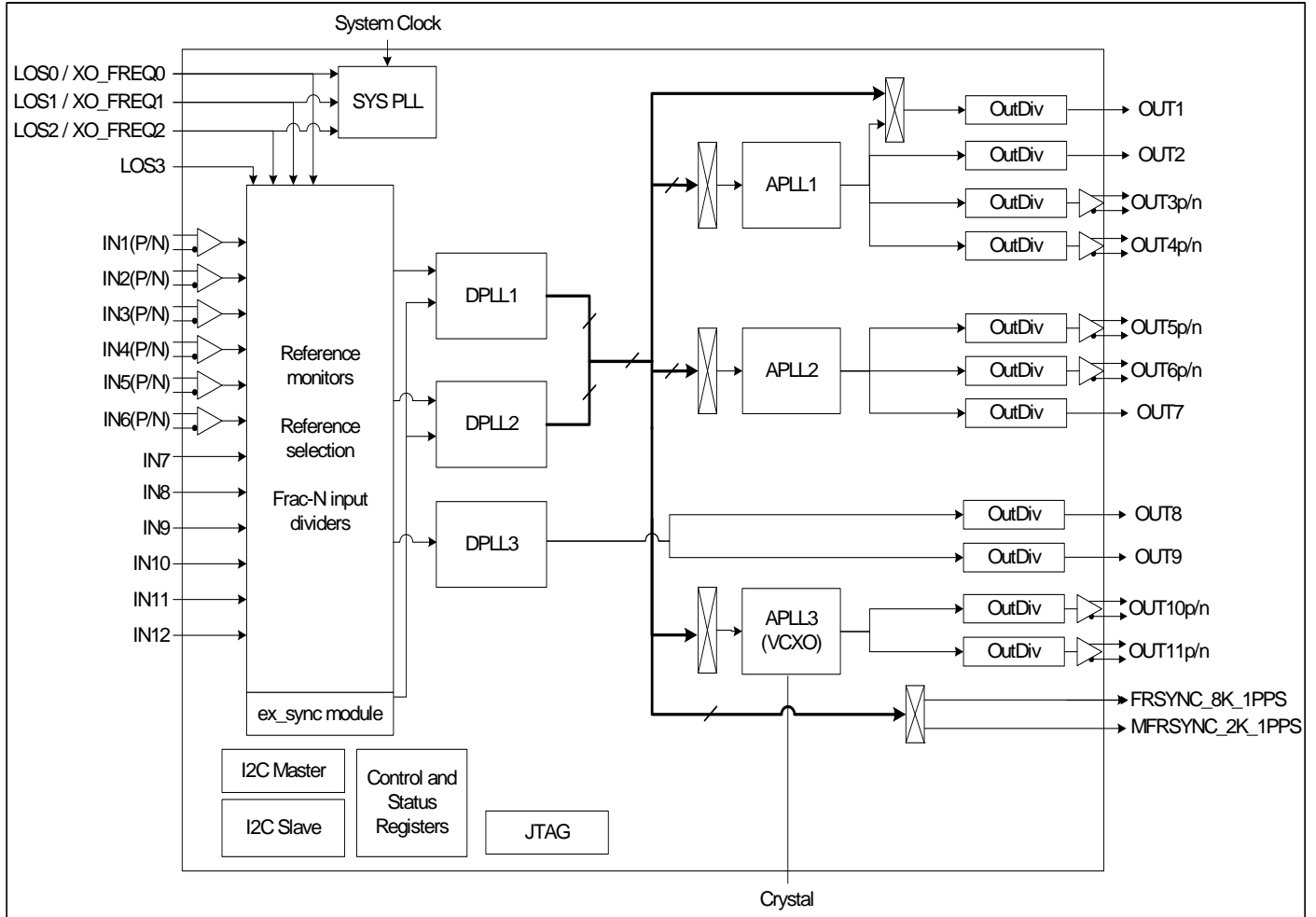


Figure 1. Functional Block Diagram

# Contents

|   |    |
|---|----|
| Highlights .....  | 1  |
| Features .....  | 1  |
| Applications .....  | 1  |
| Description .....   | 2  |
| Functional Block Diagram .....  | 3  |
| Contents .....  | 4  |
| 1 Pin Assignment .....  | 6  |
| 2 Pin Description .....   | 7  |
| 2.1 Recommendations for Unused Input and Output Pins .....              | 10 |
| 2.1.1 Inputs .....  | 10 |
| 2.1.2 Outputs .....   | 10 |
| 2.2 reset operation .....   | 11 |
| 3 Functional Description .....  | 12 |
| 3.1 Hardware functional description .....                               | 12 |
| 3.1.1 System clock .....  | 12 |
| 3.1.2 Modes of operation .....  | 12 |
| 3.1.3 Input Clocks and frame sync .....                                 | 16 |
| 3.1.4 DPLL Locking Process .....  | 21 |
| 3.1.5 APLL1 and APLL2 .....   | 22 |
| 3.1.6 APLL3 .....   | 23 |
| 3.1.7 Output Clocks & Frame Sync Signals .....                          | 24 |
| 3.1.8 Input and output Phase control .....                              | 26 |
| 4 Power Supply Filtering Techniques .....                               | 27 |
| 5 Microprocessor Interface .....  | 29 |
| 5.1 I2C Slave Mode .....  | 29 |
| 5.1.1 I2C Device Address .....  | 29 |
| 5.1.2 I2C Bus Timing .....  | 29 |
| 5.1.3 Supported Transactions .....                                      | 31 |
| 5.2 I2C Master Mode .....   | 31 |
| 5.2.1 I2C Boot-up Initialization Mode .....                             | 32 |
| 5.2.2 EEPROM memory map notes .....                                     | 32 |
| 6 JTAG .....  | 33 |
| 7 Thermal Management .....  | 34 |
| 7.1 Junction temperature .....  | 34 |
| 7.2 Thermal Release Path .....  | 34 |
| 8 Electrical Specifications .....                                       | 35 |
| 8.1 Absolute Maximum Rating .....                                       | 35 |
| 8.2 Recommended Operation Conditions .....                              | 35 |
| 8.3 I/O Specifications .....  | 36 |
| 8.3.1 CMOS Input / Output Port .....                                    | 36 |
| 8.3.2 LVPECL / LVDS Input / Output Port .....                           | 37 |
| 8.3.3 LVDS Input / Output Port .....                                    | 39 |
| 8.3.4 Output Clock Duty Cycle .....                                     | 41 |
| 8.3.5 Wiring the Differential Input to Accept Single-Ended Levels ..... | 42 |
| 8.4 Jitter Performance .....  | 43 |
| 8.5 Input / Output Clock Timing .....                                   | 54 |
| 8.6 Output / output CLOCK TIMING .....                                  | 55 |
| Package Outline Drawings .....  | 56 |

Ordering Information ..... 58  
Revision History ..... 58

# 1 PIN ASSIGNMENT

|   | 1             | 2             | 3        | 4        | 5        | 6         | 7     | 8         | 9          | 10        | 11                | 12              |   |
|---|---------------|---------------|----------|----------|----------|-----------|-------|-----------|------------|-----------|-------------------|-----------------|---|
| A | OUT5_POS      | OUT5_NEG      | OUT6_POS | OUT6_NEG | VDDAO    | OUT11_POS | VDDAO | OUT10_POS | CAP2       | XTAL2_IN  | SONET/SDH/LOS3    | XTAL1_IN        | A |
| B | VSSAO         | VDDAO         | VDDAO    | VSSAO    | VSSAO    | OUT11_NEG | VSSAO | OUT10_NEG | VSSA       | XTAL2_OUT | MPU_MODE1/2CM_SCL | XTAL1_OUT       | B |
| C | VDDA          | VSSA          | VSS      | OUT7     | I2C_SDA  | VDDA      | VDDA  | IC        | CAP1       | IC        | MPU_MODE0/2CM_SDA | MFRSYNC_2K_1PPS | C |
| D | VSSA          | VDDA          | VSSCOM   | VSSD     | VDDD     | VSSA      | VSSA  | CAP3      | I2C_AD2    | I2C_SCL   | OUT9              | OUT8            | D |
| E | OSCI          | VSSA          | IC       | VDDDO    | I2C_AD1  | VDDD0     | VSSDO | VSSA      | DPLL3_LOCK | IN12      | IN11              | FRSYNC_8K_1PPS  | E |
| F | TMS           | VDDA          | VSSA     | VSSDO    | VSS      | VSSD      | VDDD  | VSSA      | VDDA       | IN10      | IN6_NEG           | IN6_POS         | F |
| G | TCK           | VDDA          | IC       | VSS      | VSS      | VSS       | IC    | VSS       | DPLL2_LOCK | IN9       | IN5_NEG           | IN5_POS         | G |
| H | XO_FREQ0/LOS0 | VDDA          | VSSA     | VSS      | VSS      | VSS       | VSS   | VSS       | DPLL1_LOCK | IN8       | VSSD              | VDDD_1_8        | H |
| J | XO_FREQ1/LOS1 | XO_FREQ2/LOS2 | VSS      | VSS      | VSS      | VSS       | VSS   | VSS       | INT_REQ    | IN7       | IN4_NEG           | IN4_POS         | J |
| K | VDDA          | VDDA          | TRSTB    | VSSAO    | OUT2     | RSTB      | VSSDO | IC        | IC         | IC        | IN3_NEG           | IN3_POS         | K |
| L | VSSA          | VSSA          | TDI      | VDDAO    | TDO      | IC        | VDDDO | OUT1      | VSSD       | VDDD_1_8  | IN2_NEG           | IN2_POS         | L |
| M | OUT4_POS      | OUT4_NEG      | VSSAO    | VDDAO    | OUT3_POS | OUT3_NEG  | VSSDO | VDDDO     | IC         | IC        | IN1_NEG           | IN1_POS         | M |
|   | 1             | 2             | 3        | 4        | 5        | 6         | 7     | 8         | 9          | 10        | 11                | 12              |   |

**Figure 2. Pin Assignment (Top View)**

## 2 PIN DESCRIPTION

Table 1: Pin Description

| Pin No.   | Name  | I/O            | Type      | Description  |
|---|---|----------------|-----------|--|
| <b>Global Control Signal</b>                              |   |                |           |  |
| E1  | OSCI  | I              | CMOS      | <b>OSCI: Crystal Oscillator System Clock</b><br>A clock provided by a crystal oscillator is input on this pin. It is the system clock for the device. The oscillator frequency is selected via pins XO_FREQ0 ~ XO_FREQ3.   |
| A11   | SONET/SDH/<br>LOS3  | I<br>pull-down | CMOS      | <b>SONET/SDH: SONET / SDH Frequency Selection</b><br>During reset, this pin determines the default value of the IN_SONET_SDH bit (b2, 09H):<br>High: The default value of the IN_SONET_SDH bit is '1' (SONET);<br>Low: The default value of the IN_SONET_SDH bit is '0' (SDH).<br>After reset, the value on this pin takes no effect.<br><b>LOS3</b> - This pin is used to disqualify input clocks. See input clocks section for more details. |
| K6  | RSTB  | I<br>pull-up   | CMOS      | <b>RSTB: Reset</b><br>Refer to section 2.2 reset operation for detail.   |
| H1<br>J1<br>J2  | XO_FREQ0/<br>LOS0<br>XO_FREQ1/<br>LOS1<br>XO_FREQ2/<br>LOS2 | I<br>pull-down | CMOS      | <b>XO_FREQ0 ~ XO_FREQ2: These pins set the oscillator frequency.</b><br>XO_FREQ[2:0] Oscillator Frequency (MHz)<br>000 10.000<br>001 12.800<br>010 13.000<br>011 19.440<br>100 20.000<br>101 24.576<br>110 25.000<br>111 30.720<br><b>LOS0 ~ LOS2</b> - These pins are used to disqualify input clocks. See input clocks section for more details.   |
| <b>Input Clock and Frame Synchronization Input Signal</b> |   |                |           |  |
| M12<br>M11  | IN1_POS<br>IN1_NEG  | I              | PECL/LVDS | <b>IN1_POS / IN1_NEG: Positive / Negative Input Clock 1</b><br>This pin can also be used as a sync input, and in this case a 2 kHz, 4 kHz, 8 kHz, or 1PPS signal can be input on this pin.   |
| L12<br>L11  | IN2_POS<br>IN2_NEG  | I              | PECL/LVDS | <b>IN2_POS / IN2_NEG: Positive / Negative Input Clock 2</b><br>This pin can also be used as a sync input, and in this case a 2 kHz, 4 kHz, 8 kHz, or 1PPS signal can be input on this pin.   |
| K12<br>K11  | IN3_POS<br>IN3_NEG  | I              | PECL/LVDS | <b>IN3_POS / IN3_NEG: Positive / Negative Input Clock 3</b><br>This pin can also be used as a sync input, and in this case a 2 kHz, 4 kHz, 8 kHz, or 1PPS signal can be input on this pin.   |
| J12<br>J11  | IN4_POS<br>IN4_NEG  | I              | PECL/LVDS | <b>IN4_POS / IN4_NEG: Positive / Negative Input Clock 4</b><br>This pin can also be used as a sync input, and in this case a 2 kHz, 4 kHz, 8 kHz, or 1PPS signal can be input on this pin.   |
| G12<br>G11  | IN5_POS<br>IN5_NEG  | I              | PECL/LVDS | <b>IN5_POS / IN5_NEG: Positive / Negative Input Clock 5</b><br>This pin can also be used as a sync input, and in this case a 2 kHz, 4 kHz, 8 kHz, or 1PPS signal can be input on this pin.   |
| F12<br>F11  | IN6_POS<br>IN6_NEG  | I              | PECL/LVDS | <b>IN6_POS / IN6_NEG: Positive / Negative Input Clock 6</b><br>This pin can also be used as a sync input, and in this case a 2 kHz, 4 kHz, 8 kHz, or 1PPS signal can be input on this pin.   |
| J10   | IN7   | I<br>pull-down | CMOS      | <b>IN7: Input Clock 7</b><br>This pin can also be used as a sync input, and in this case a 2 kHz, 4 kHz, 8 kHz, or 1PPS signal can be input on this pin.   |
| H10   | IN8   | I<br>pull-down | CMOS      | <b>IN8: Input Clock 8</b><br>This pin can also be used as a sync input, and in this case a 2 kHz, 4 kHz, 8 kHz, or 1PPS signal can be input on this pin.   |
| G10   | IN9   | I<br>pull-down | CMOS      | <b>IN9: Input Clock 9</b><br>This pin can also be used as a sync input, and in this case a 2 kHz, 4 kHz, 8 kHz, or 1PPS signal can be input on this pin.   |

**Table 1: Pin Description (Continued)**

| Pin No.                                    | Name                   | I/O            | Type      | Description  |
|--|------------------------|----------------|-----------|--|
| F10  | IN10                   | I<br>pull-down | CMOS      | <b>IN10: Input Clock 10</b><br>This pin can also be used as a sync input, and in this case a 2 kHz, 4 kHz, 8 kHz, or 1PPS signal can be input on this pin.                                       |
| E11  | IN11                   | I<br>pull-down | CMOS      | <b>IN11: Input Clock 11</b><br>This pin can also be used as a sync input, and in this case a 2 kHz, 4 kHz, 8 kHz, or 1PPS signal can be input on this pin.                                       |
| E10  | IN12                   | I<br>pull-down | CMOS      | <b>IN12: Input Clock 12</b><br>This pin can also be used as a sync input, and in this case a 2 kHz, 4 kHz, 8 kHz, or 1PPS signal can be input on this pin.                                       |
| <b>Output Frame Synchronization Signal</b> |                        |                |           |  |
| E12  | FRSYNC_8K_1PPS         | O              | CMOS      | <b>FRSYNC_8K_1PPS: 8 kHz Frame Sync Output</b><br>An 8 kHz signal or a 1PPS sync signal is output on this pin.   |
| C12  | MFRSYNC_2K_1PPS        | O              | CMOS      | <b>MFRSYNC_2K_1PPS: 2 kHz Multiframe Sync Output</b><br>A 2 kHz signal or a 1PPS sync signal is output on this pin.  |
| <b>Output Clock</b>                        |                        |                |           |  |
| L8<br>K5                                   | OUT1<br>OUT2           | O              | CMOS      | <b>OUT1 ~ OUT2: Output Clock 1 ~ 2</b>   |
| M5<br>M6                                   | OUT3_POS<br>OUT3_NEG   | O              | PECL/LVDS | <b>OUT3_POS / OUT3_NEG: Positive / Negative Output Clock 3</b><br>The LVDS output has internal 100 ohm termination.  |
| M1<br>M2                                   | OUT4_POS<br>OUT4_NEG   | O              | PECL/LVDS | <b>OUT4_POS / OUT4_NEG: Positive / Negative Output Clock 4</b><br>The LVDS output has internal 100 ohm termination.  |
| A1<br>A2                                   | OUT5_POS<br>OUT5_NEG   | O              | PECL/LVDS | <b>OUT5_POS / OUT5_NEG: Positive / Negative Output Clock 5</b><br>The LVDS output has internal 100 ohm termination.  |
| A3<br>A4                                   | OUT6_POS<br>OUT6_NEG   | O              | PECL/LVDS | <b>OUT6_POS / OUT6_NEG: Positive / Negative Output Clock 6</b><br>The LVDS output has internal 100 ohm termination.  |
| C4   | OUT7                   | O              | CMOS      | <b>OUT7: Output Clock 7</b>  |
| D12  | OUT8                   | O              | CMOS      | <b>OUT8: Output Clock 8</b>  |
| D11  | OUT9                   | O              | CMOS      | <b>OUT9: Output Clock 9</b>  |
| A8<br>B8                                   | OUT10_POS<br>OUT10_NEG | O              | PECL/LVDS | <b>OUT10_POS / OUT10_NEG: Positive / Negative Output Clock 10</b>  |
| A6<br>B6                                   | OUT11_POS<br>OUT11_NEG | O              | PECL/LVDS | <b>OUT11_POS / OUT11_NEG: Positive / Negative Output Clock 11</b>  |
| <b>Miscellaneous</b>                       |                        |                |           |  |
| C9, A9, D8                                 | CAP1, CAP2,<br>CAP3    |                |           | <b>CAP1, CAP2 and CAP3: Analog Power Filter Capacitor connection 1 to 3.</b> These capacitors are be part of the power filtering.  |
| A12  | XTAL1_IN               | I              | Analog    | <b>Crystal oscillator 1 input.</b><br>Determines first of two frequency families (Sonet/SDH, Ethernet or Ethernet*66/64) available for APLL3. Connect to ground if XTAL1 is not used.            |
| B12  | XTAL1_OUT              | O              | Analog    | <b>Crystal oscillator 1 output.</b><br>Leave open if XTAL1 is not used.  |
| A10  | XTAL2_IN               | I              | Analog    | <b>Crystal oscillator 2 input.</b><br>Determines first of two frequency families (chosen from Sonet/SDH, Ethernet or Ethernet*66/64) available for APLL3. Connect to ground if XTAL2 is not used |
| B10  | XTAL2_OUT              | O              | Analog    | <b>Crystal oscillator 2 output.</b><br>Leave open if XTAL2 is not used.  |
| <b>Lock Signal</b>                         |                        |                |           |  |
| E9   | DPLL3_LOCK             | O              | CMOS      | <b>DPLL3_LOCK</b><br>This pin goes high when DPLL3 is locked   |



**Table 1: Pin Description (Continued)**

| Pin No.                                   | Name   | I/O            | Type                | Description  |
|---|--|----------------|---------------------|--|
| G9  | DPLL2_LOCK   | O              | CMOS                | DPLL2_LOCK<br>This pin goes high when DPLL2 is locked  |
| H9  | DPLL1_LOCK   | O              | CMOS                | DPLL1_LOCK<br>This pin goes high when DPLL1 is locked  |
| <b>Microprocessor Interface</b>           |  |                |                     |  |
| J9  | INT_REQ  | O<br>Tri-state | CMOS                | <b>INT_REQ: Interrupt Request</b><br>This pin is used as an interrupt request. The output characteristics are determined by the HZ_EN bit (b1, 0CH) and the INT_POL bit (b0, 0CH).   |
| B11<br>C11                                | MPU_MODE1/<br>I2CM_SCL<br><br>MPU_MODE0/<br>I2CM_SDA | I/O<br>pull-up | CMOS/<br>Open Drain | <b>MPU_MODE[1:0]: Microprocessor Interface Mode Selection</b><br>During reset, these pins determine the default value of the MPU_SEL_CNFG[1:0] bits as follows:<br>00: I2C mode<br>01 ~ 10: Reserved<br>11: EEPROM mode<br><b>I2CM_SCL: Serial Clock Line</b><br>In I2C master mode, the serial clock is output on this pin.<br><b>I2CM_SDA: Serial Data Input for I2C Master Mode</b><br>In I2C master mode, this pin is used as the for the serial data. |
| D9  | I2C_AD2  | I<br>pull-down | CMOS                | <b>I2C_AD2: Device Address Bit 2</b><br>I2C_AD[2:1] pins are the address bus of the microprocessor interface.  |
| E5  | I2C_AD1  | I<br>pull-down | CMOS                | <b>I2C_AD1: Device Address Bit 1</b><br>I2C_AD[2:1] pins are the address bus of the microprocessor interface.  |
| D10                                       | I2C_SCL  | I<br>pull-down | CMOS                | <b>I2C_SCL: Serial Clock Line</b><br>The serial clock is input on this pin.  |
| C5  | I2C_SDA  | I/O<br>pull-up | Open Drain          | <b>I2C_SDA: Serial Data Input/Output</b><br>This pin is used as the input/output for the serial data.  |
| <b>JTAG (per IEEE 1149.1)</b>             |  |                |                     |  |
| F1  | TMS  | I<br>pull-up   | CMOS                | <b>TMS: JTAG Test Mode Select</b><br>The signal on this pin controls the JTAG test performance and is sampled on the rising edge of TCK.   |
| K3  | TRSTB  | I<br>pull-up   | CMOS                | <b>TRST: JTAG Test Reset (Active Low)</b><br>A low signal on this pin resets the JTAG test port.<br>This pin should be connected to ground when JTAG is not used.  |
| G1  | TCK  | I<br>pull-down | CMOS                | <b>TCK: JTAG Test Clock</b><br>The clock for the JTAG test is input on this pin. TDI and TMS are sampled on the rising edge of TCK and TDO is updated on the falling edge of TCK.<br>If TCK is idle at a low level, all stored-state devices contained in the test logic will indefinitely retain their state.   |
| L3  | TDI  | I<br>pull-up   | CMOS                | <b>TDI: JTAG Test Data Input</b><br>The test data are input on this pin. They are clocked into the device on the rising edge of TCK.   |
| L5  | TDO  | O<br>tri-state | CMOS                | <b>TDO: JTAG Test Data Output</b><br>The test data are output on this pin. They are clocked out of the device on the falling edge of TCK.<br>TDO pin outputs a high impedance signal except during the process of data scanning.   |
| <b>Power &amp; Ground</b>                 |  |                |                     |  |
| C1, C6, C7, D2, F2, F9,<br>G2, H2, K1, K2 | VDDA   | Power          | -                   | VDDA: Analog Core Power - +3.3V DC nominal   |
| A5, A7, B2, B3, L4, M4                    | VDDAO  | Power          | -                   | VDDAO: Analog Output Power - +3.3V DC nominal  |
| E4, E6, L7, M8                            | VDDDO  | Power          | -                   | VDDDO: Digital Output Power - +3.3V DC nominal   |
| D5, F7                                    | VDDD   | Power          | -                   | VDDD: Digital Core Power - +3.3V DC nominal  |

Table 1: Pin Description (Continued)

| Pin No.  | Name     | I/O    | Type | Description  |
|--|----------|--------|------|--|
| L10, H12   | VDDD_1_8 | Power  |      | VDDD_1_8: Digital Core Power - +1.8V DC nominal  |
| B9, C2, D1, D6, D7, E2, E8, F3, F8, H3, L1, L2                     | VSSA     | Ground | -    | VSSA: Ground   |
| B1, B4, B5, B7, K4, M3   | VSSAO    | Ground |      | VSSAO: Ground  |
| E7, F4, K7, M7   | VSSDO    | Ground |      | VSSDO: Ground  |
| D4, F6, H11, L9  | VSSD     | Ground |      | VSSD: Ground   |
| D3   | VSSCOM   | Ground | -    | VSSCOM: Ground   |
| C3, F5, G4, G5, G6, G8, H4, H5, H6, H7, H8, J3, J4, J5, J6, J7, J8 | VSS      | Ground | -    | VSS: Ground  |
| <b>Other</b>   |          |        |      |  |
| C8, C10, E3, G3, G7, K8, K9, K10, L6, M9, M10                      | IC       | -      | -    | IC: Internal Connection Internal Use. This pin must be left open for normal operation. |

## 2.1 RECOMMENDATIONS FOR UNUSED INPUT AND OUTPUT PINS

### 2.1.1 INPUTS

#### Control Pins

All control pins have internal pull-ups or pull-downs; additional resistance is not required but can be added for additional protection. A 1kΩ resistor can be used.

#### Single-Ended Clock Inputs

For protection, unused single-ended clock inputs should be tied to ground.

#### Differential Clock Inputs

For applications not requiring the use of a differential input, both \*\_POS and \*\_NEG can be left floating. Though not required, but for additional protection, a 1kΩ resistor can be tied from \_POS to ground.

#### XTAL Inputs

For applications not requiring the use of a crystal oscillator input, both \_IN and \_OUT can be left floating. Though not required, but for additional protection, a 1kΩ resistor can be tied from \_IN to ground.

### 2.1.2 OUTPUTS

#### Status Pins

For applications not requiring the use of a status pin, we recommend bringing out to a test point for debugging purposes.

#### Single-Ended Clock Outputs

All unused single-ended clock outputs can be left floating, or can be brought out to a test point for debugging purposes.

#### Differential Clock Outputs

All unused differential outputs can be left floating. We recommend that there is no trace attached. Both sides of the differential output pair should either be left floating or terminated.

## 2.2 RESET OPERATION

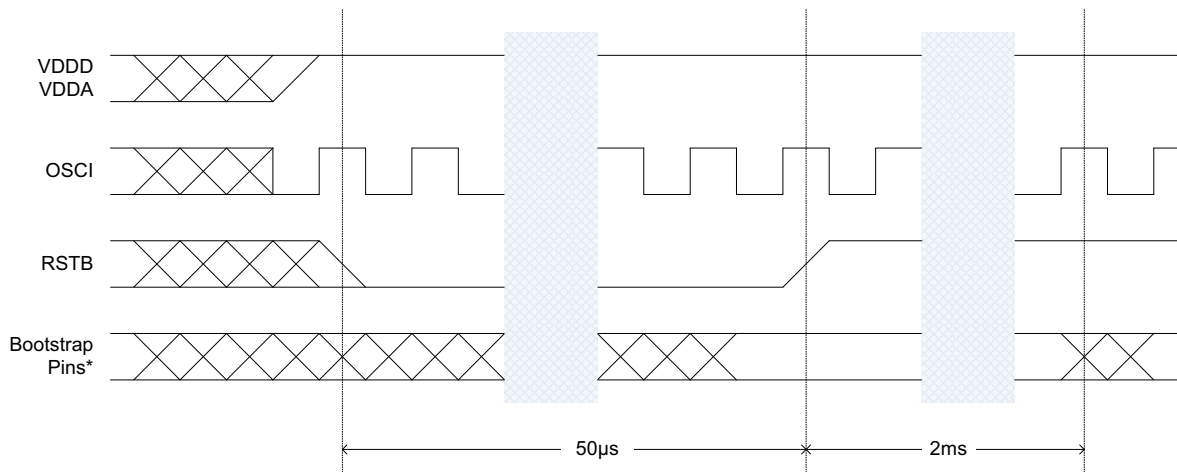
The device must be reset properly in order to ensure operations conform with specification.

To properly reset the device, the RSTB pin must be held at a low value for at least 50 usec. The device should be brought out of reset only at the time when power supplies are stabilized and the system clock is available on OSCi pin. The RSTB can be held low until this time, or pulsed low for at least 50us after this time.

The bootstrap pins (XO\_FREQ[2:0], MPU\_MODE[1:0], I2C\_AD[2:1], SONET/SDH) need to be held at desired states for at least 2ms after de-assertion of RSTB pin to allow correct sampling. See Figure 3 for detail.

If loading from an EEPROM, the maximum time from RSTB de-assert to have stable clocks is 100ms. Note that if there is a bad EEPROM read sequence and the EEPROM loading is repeated once or twice (three times halts the device), then this time can be 2 or 3 times longer respectively. If not loading from EEPROM the maximum time from RSTB de-assert to have stable clocks is 10ms.

An on-board reset circuit or a commercially available voltage supervisory can be used to generate the reset signal. It is also feasible to use a standalone power-up RC reset circuit. When using a power-up RC reset circuit, careful consideration must be taken into account to fine tune the circuit properly based on each power supply's specification to ensure the power supply rise time is fast enough with respect to the RC time constant of the RC circuit.



\* Bootstrap pins are: XO\_FREQ[2:0], MPU\_MODE[1:0], I2C\_AD[2:1], SONET/SDH

**Figure 3. Reset timing diagram**

### 3 FUNCTIONAL DESCRIPTION

#### 3.1 HARDWARE FUNCTIONAL DESCRIPTION

##### 3.1.1 SYSTEM CLOCK

A crystal oscillator should be used as an input on the OSC1 pin. This clock is provided for the device as a system clock. The system clock is used as a reference clock for all the internal circuits. The active edge of the system clock can be selected by the OSC\_EDGE bit in xo\_freq\_cfg register.

Eight common oscillator frequencies can be used for the stable System Clock. The oscillator frequency can be set by pins or by xo\_freq\_cfg register as shown in Table 2.

Table 2: Oscillator Frequencies

| xo_freq[2:0] pins<br>xo_freq_cfg[2:0] bits | Oscillator Frequency (MHz) |
|--|----------------------------|
| 000  | 10.000                     |
| 001  | 12.800                     |
| 010  | 13.000                     |
| 011  | 19.440                     |
| 100  | 20.000                     |
| 101  | 24.576                     |
| 110  | 25.000                     |
| 111  | 30.720                     |

An offset from the nominal frequency may be compensated by setting the NOMINAL\_FREQ\_VALUE[23:0] bits. The calibration range is within  $\pm 741$  ppm.

The crystal oscillator should be chosen accordingly to meet different applications and standard requirements. (See AN-807 Recommended Crystal Oscillators for NetSynchro WAN PLL).

##### 3.1.2 MODES OF OPERATION

###### 3.1.2.1 DPLL1 and DPLL2 Operating Mode

The DPLL1 and DPLL2 can operate in several different modes as shown in Table 3.

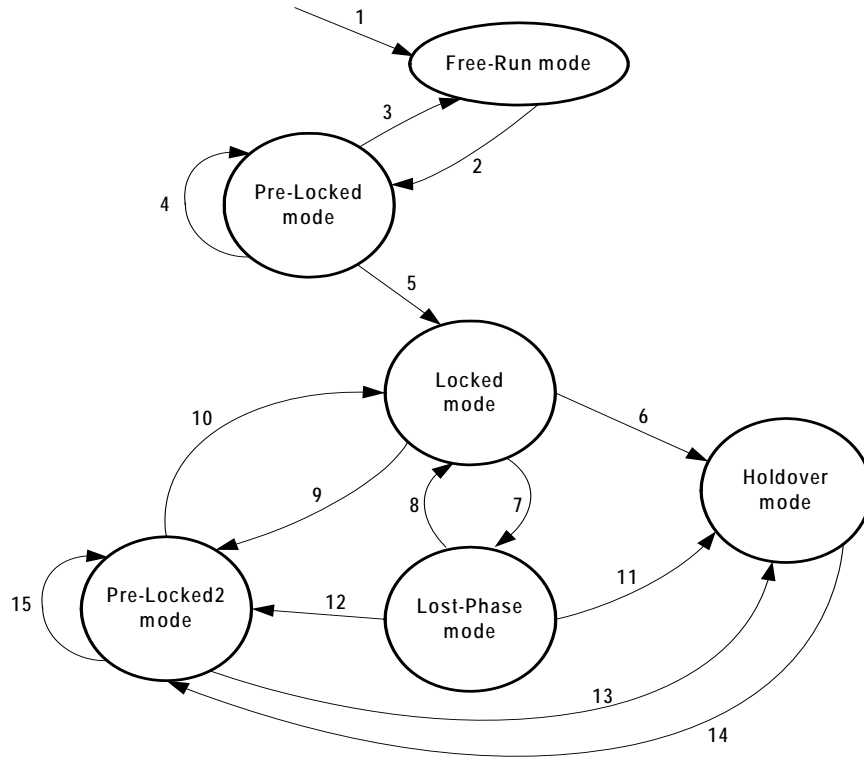
The DPLL1 and DPLL2 operating mode is controlled by the DPLL1\_OPERATING\_MODE[3:0] bits and DPLL2\_OPERATING\_MODE[3:0] bits respectively.

Table 3: DPLL1/2 Operating Mode Control

| DPLL1/2_OPERATING_MODE[3:0] | DPLL1/2 Operating Mode |
|-----------------------------|------------------------|
| 0000                        | Automatic              |
| 0001                        | Forced - Free-Run      |
| 0010                        | Forced - Holdover      |
| 0011                        | Reserved               |
| 0100                        | Forced - Locked        |
| 0101                        | Forced - Pre-Locked2   |
| 0110                        | Forced - Pre-Locked    |
| 0111                        | Forced - Lost-Phase    |
| 1000-1111                   | Reserved               |

When the operating mode is switched automatically, the operation of the internal state machine is shown in Figure 4.

Whether the operating mode is under external control or is switched automatically, the current operating mode is always indicated by the DPLL1/2\_DPLL\_OPERATING\_STS[3:0] bits. When the operating mode switches, the DPLL1/2\_OPERATING\_STS bit will be set. If the DPLL1/2\_OPERATING\_STS bit is '1', an interrupt will be generated if the corresponding mask bit is set to "1", the mask bit is set to "0" by default.



**Figure 4. DPLL Automatic Operating Mode**

Notes to [Figure 4](#):

1. Reset.
2. An input clock is selected.
3. The DPLL selected input clock is disqualified **AND** No qualified input clock is available.
4. The DPLL selected input clock is switched to another one.
5. The DPLL selected input clock is locked (the DPLL\_LOCK bit is '1').
6. The DPLL selected input clock is disqualified **AND** No qualified input clock is available.
7. The DPLL selected input clock is unlocked (the DPLL\_LOCK bit is '0').
8. The DPLL selected input clock is locked again (the DPLL\_LOCK bit is '1').
9. The DPLL selected input clock is switched to another one.
10. The DPLL selected input clock is locked (the DPLL\_LOCK bit is '1').
11. The DPLL selected input clock is disqualified **AND** No qualified input clock is available.
12. The DPLL selected input clock is switched to another one.
13. The DPLL selected input clock is disqualified **AND** No qualified input clock is available.
14. An input clock is selected.
15. The DPLL selected input clock is switched to another one.

The causes of Item 4, 9, 12, 15 - 'the DPLL selected input clock is switched to another one' - are: (The DPLL selected input clock is disqualified **AND** Another input clock is switched to) **OR** (In Revertive switching, a qualified input clock with a higher priority is switched to) **OR** (The DPLL selected input clock is switched to another one Forced selection).

### 3.1.2.1.1 Free-Run Mode

In Free-Run mode, the DPLL1/2 output refers to the system clock and is not affected by any input clock. The accuracy of the DPLL1/2 output is equal to that of the system clock.

### 3.1.2.1.2 Pre-Locked Mode

In Pre-Locked mode, the DPLL1/2 output attempts to track the selected input clock.

The Pre-Locked mode is a secondary, temporary mode.

### 3.1.2.1.3 Locked Mode

In Locked mode, the DPLL1/2 is locked to the input clock. The phase and frequency offset of the DPLL1/2 output track those of the DPLL1/2 selected input clock.

For a closed loop, different bandwidths and damping factors can be used. They are set by the DPLL1/2\_LOCKED\_BW[4:0] bits and the DPLL1/2\_LOCKED\_DAMPING[2:0] bits respectively. DPLL1/2\_LOCKED\_BW[4] must be set to 1.

The locked bandwidth is selectable can be set as shown in [Table 4](#).

Table 4: DPLL1/2 Locked Bandwidth

| DPLL1/2_LOCKED_BW[3:0] | BW       |
|------------------------|----------|
| 0000                   | 18 Hz    |
| 0001                   | 35 Hz    |
| 0010                   | 71 Hz    |
| 0011                   | 142 Hz   |
| 0100                   | 283 Hz   |
| 0101                   | 567 Hz   |
| 0110-1111              | Reserved |

### 3.1.2.1.4 Pre-Locked2 Mode

In Pre-Locked2 mode, the DPLL1/2 output attempts to track the selected input clock.

The Pre-Locked2 mode is a secondary, temporary mode.

### 3.1.2.1.5 Lost-Phase Mode

In Lost-Phase mode, the DPLL1/2 output attempts to track the selected input clock.

The Lost-Phase mode is a secondary, temporary mode.

### 3.1.2.1.6 Holdover Mode

In Holdover mode, the DPLL1/2 resorts to the stored frequency data acquired in Locked mode to control its output. The DPLL1/2 output is not phase locked to any input clock.

The holdover mode is set to current averaged value with holdover filter BW of ~1.5MHz. In this mode the initial frequency offset is better than 1.1e-5ppm assuming that there is no in-band jitter/wander at the input just before entering holdover state.

The offset value can be read from the holdover\_freq\_cfg[39:0] bits by setting the read\_avg bit to "1".

The holdover frequency resolution is calculated as follows:

$$\text{Holdover Frequency resolution: } HO\_freq\_res = (77760/1638400) * 2^{-48}$$

The Holdover value read from register bits holdover\_freq\_cfg[[39:0] must be converted to decimal:

$$HO\_value\_dec = \text{holdover\_freq\_cfg}[39:0] \text{ value in decimal}$$

The frequency offset in ppm is calculated as follows:

$$\text{Holdover Frequency Offset (ppm)} = (HO\_freq\_res * HO\_value\_dec) / (1 - ((HO\_freq\_res * HO\_value\_dec) / 1e6))$$

### 3.1.2.1.7 Hitless Reference Switching

Bit hitless\_switch\_en in DPLL1/2\_mon\_sw\_pbo\_cfg register can be used to set hitless reference switching. When a Hitless Switching (HS) event is triggered, the phase offset of the selected input clock with respect to the DPLL1/2 output is measured. The device then automatically accounts for the measured phase offset and compensates for the appropriate phase offset into the DPLL output so that the phase transients on the DPLL1/2 output are minimized. The input frequencies should be set to frequencies equal to 8kHz or higher.

If hitless\_switch\_en is set to "1", a HS event is triggered if any one of the following conditions occurs:

- DPLL1/2 selected input clock switches to a different reference
- DPLL1/2 exits from Holdover mode or Free-Run mode

For the two conditions, the phase transients on the DPLL1/2 output are minimized to be no more than 0.61 ns with HS. The HS can also be frozen at the current phase offset by setting the hitless\_switch\_freeze bit in DPLL1/2\_mon\_sw\_pbo\_cfg register. When the HS is frozen, the device will ignore any further HS events triggered by the above two conditions, and maintain the current phase offset.

When the HS is disabled, there may be a phase shift on the DPLL1/2 output, as the DPLL1/2 output tracks back to 0 degree phase offset with respect to the DPLL1/2 selected input clock. This phase shift can be limited; see section [3.1.2.1.8 Phase Slope Limit on page 15](#).

### 3.1.2.1.8 Phase Slope Limit

Both DPLL1 and DPLL2 provide a phase slope limiting feature to limit the rate of output phase movement. The limit level is selectable via DPLL1/2\_ph\_limit[1:0] bits in DPLL1/2\_bw\_overshoot\_cnfg register. The options are shown in Table 5.

Table 5: DPLL1/2 Phase Slope Limit

| DPLL1/2_ph_limit[1:0] | Phase Slope Limit  |
|-----------------------|--|
| 00                    | 61µs/s (GR-1244 ST3)   |
| 01                    | 885ns/s (GR-1244-CORE ST2 and 3E, GR-253-CORE ST3 and G.8262 EEC option 2) |
| 10                    | 7.5 µs/s (G.813 opt1, G.8262 EEC-option 1)                                 |
| 11                    | unlimited / 1.4 ms/s (default)   |

\*Note: The default phase slope limiting is set to 0 ns/s, therefore, the phase slope limiting must be set to the proper value to meet different standards according to this table. For PSL = 885 ns/s, it is recommended that a TCXO be used.

### 3.1.2.1.9 Frequency Offset Limit

The DPLL1/2 output is limited to be within the programmed DPLL hard limit (refer to Chapter 3.1.4.3).

### 3.1.2.2 DPLL3 Operating Mode

The DPLL3 operating mode is controlled by the DPLL3\_OPERATING\_MODE[2:0] bits, as shown in Table 6. DPLL3 is disabled by default, write "0" to bit DPLL3\_dpll\_pdn in pdn\_conf register to enable it.

Table 6: DPLL3 Operating Mode Control

| DPLL3_OPERATING_MODE[2:0] | DPLL3 Operating Mode |
|---------------------------|----------------------|
| 000                       | Automatic            |
| 001                       | Forced - Free-Run    |
| 010                       | Forced - Holdover    |
| 100                       | Forced - Locked      |

When the operating mode is switched automatically, the operation of the internal state machine is shown in Figure 5:

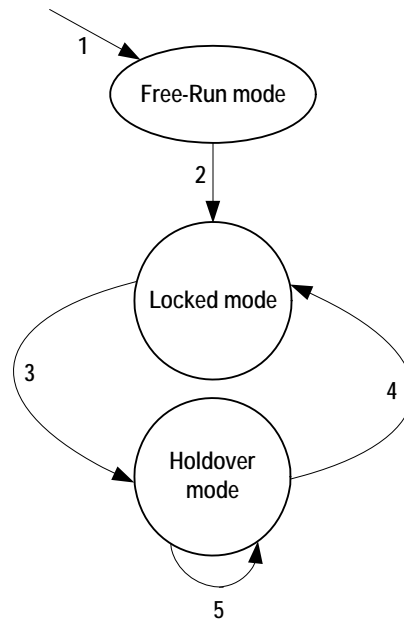


Figure 5. DPLL3 Automatic Operating Mode

Notes to Figure 5:

1. Reset.
2. An input clock is selected.
3. (The DPLL3 selected input clock is disqualified) **OR** (A qualified input clock with a higher priority is switched to) **OR** (The DPLL3 selected input clock is switched to another one by Forced selection).
4. An input clock is selected.
5. No input clock is selected.

#### 3.1.2.2.1 Free-Run Mode

In Free-Run mode, the DPLL3 output refers to the system clock and is not affected by any input clock. The accuracy of the DPLL3 output is equal to that of the system clock.

#### 3.1.2.2.2 Locked Mode

In Locked mode, the DPLL3 is locked to the input clock. The phase and frequency offset of the DPLL3 output track those of the DPLL3 selected input clock.

DPLL3 is a wide BW DPLL, with loop bandwidth higher than 25Hz.

### 3.1.2.2.3 Holdover Mode

In Holdover mode, the DPLL3 has 2 modes of operation for the holdover set by DPLL3\_auto\_avg bit in DPLL3\_holdover\_mode\_cfg register.

DPLL3\_auto\_avg = 0: holdover frequency is the instantaneous value of integral path just before entering holdover. If the DPLL3 was locked to an input clock reference that has no in-band jitter/wander and was then manually set to go into holdover, the initial frequency accuracy is  $4.4 \times 10^{-8}$  ppm.

DPLL3\_auto\_avg = 1: averaged frequency value is used as holdover frequency. The holdover average bandwidth is about 1.5MHz. In this mode the initial frequency offset is  $1.1 \times 10^{-5}$  ppm assuming that there is no in-band jitter/wander at the input just before entering holdover state.

### 3.1.2.2.4 Frequency Offset Limit

The DPLL3 output is limited to be within the DPLL hard limit (refer to [Chapter 3.1.4.3](#)).

## 3.1.3 INPUT CLOCKS AND FRAME SYNC

The 82P33741 has 12 input clocks that can also be used for frame sync pulses.

The 82P33741 supports Telecom and Ethernet frequencies from 1PPS up to 650 MHz.

Any of the input clocks can be used as a frame pulse or sync signal. The SYNC\_sel[3:0] bits in IN<sub>n</sub>\_los\_sync\_cfg ( $12 \leq n \leq 1$ ) registers sets which pin is used as frame pulse or sync signal.

IN1 to IN12 can be used for 2 kHz, 4 kHz or 8 kHz frame pulses or 1PPS sync signal. The input frequency should match the setting in the sync\_freq[1:0] bits in DPLL1/2\_input\_mode\_cfg register.

### 3.1.3.1 Input Clock Pre-divider

Each input clock is assigned an internal Pre-divider. The Pre-divider can be used to divide the clock frequency down to a convenient frequency, such as 8 kHz for the internal DPLL1 and DPLL2. Note that T1 and E1 references can exhibit substantial jitter with frequencies above 4 kHz. These references should be applied to DPLL1 or DPLL2 without being divided down to 8 kHz.

For IN1 ~ IN12, the DPLL required frequency is set by the corresponding IN\_FREQ[3:0] bits.

Table 7: IN\_FREQ[3:0] DPLL Frequency

| IN_FREQ[3:0] Bits | DPLL Frequency                                    |
|-------------------|---|
| 0000              | 8 kHz   |
| 0001              | 1.544 MHz / 2.048 MHz (depends on SONET/ SDH bit) |
| 0010              | 6.48 MHz  |
| 0011–1000         | Reserved  |
| 1001              | 2 kHz   |
| 1010              | 4 kHz   |
| 1011              | 1 PPS   |
| 1100              | 6.25 MHz  |
| 1101–1111         | Reserved  |

Each Pre-divider consists of an FEC divider and a DivN divider. IN3~IN8 also include an HF (High Frequency) divider. [Figure 6](#) shows a block diagram of the pre-dividers for an input clock.

For 2 kHz, 4 kHz or 8 kHz input clock frequency only, the Pre-divider should be bypassed by setting IN<sub>n</sub>\_DIV[1:0] bits = "0" ( $1 \leq n \leq 6$ ), DIRECT\_DIV bit = "0", and LOCK\_8K bit = "0". The corresponding IN\_FREQ[3:0] bits should be set to match the input frequency.

The HF divider, which is available for IN1 ~ IN6, should be used when the input clock is higher than (>) 162.5 MHz. The input clock can be divided by 4, 5 or can bypass the HF divider, as determined by the IN<sub>n</sub>\_DIV[1:0] bits ( $1 \leq n \leq 6$ ).

The DivN divider can be bypassed, as determined by the DIRECT\_DIV bit and the LOCK\_8K bit. When DivN divider is bypassed, the corresponding IN\_FREQ[3:0] bits should be set to match the input frequency. DIVN must be bypassed on a reference clock input that is also associated with another reference input used as SYNC.



When the DivN divider is used for INn ( $1 \leq n \leq 12$ ), the division factor setting should observe the following order:

1. Write the lower eight bits of the division factor to the PRE\_DIVN\_VALUE[7:0] bits;
2. Write the higher eight bits of the division factor to the PRE\_DIVN\_VALUE[14:8] bits.

The division factor is calculated as follows:

$$\text{Division Factor} = (\text{the frequency of the clock input to the DivN divider} \div \text{the frequency of the DPLL required clock set by the IN\_FREQ[3:0] bits}) - 1$$

The Pre-divider configuration and the division factor setting depend on the input clock on one of the IN3 ~ IN14pins and the DPLL required clock.

For the fractional input divider, the FEC divider, each input clock has a 16-bit (fec\_divp\_cfg[15:0]) that represents the value of the numerator and a 16-bit (fec\_divq\_cfg[15:0]) that represents the value of the denominator of FEC divider. The FEC division factor is calculated as follows:

$$\text{FEC Division Factor} = (\text{fec\_divp\_cfg}[15:0]) \div (\text{fec\_divq\_cfg}[15:0])$$

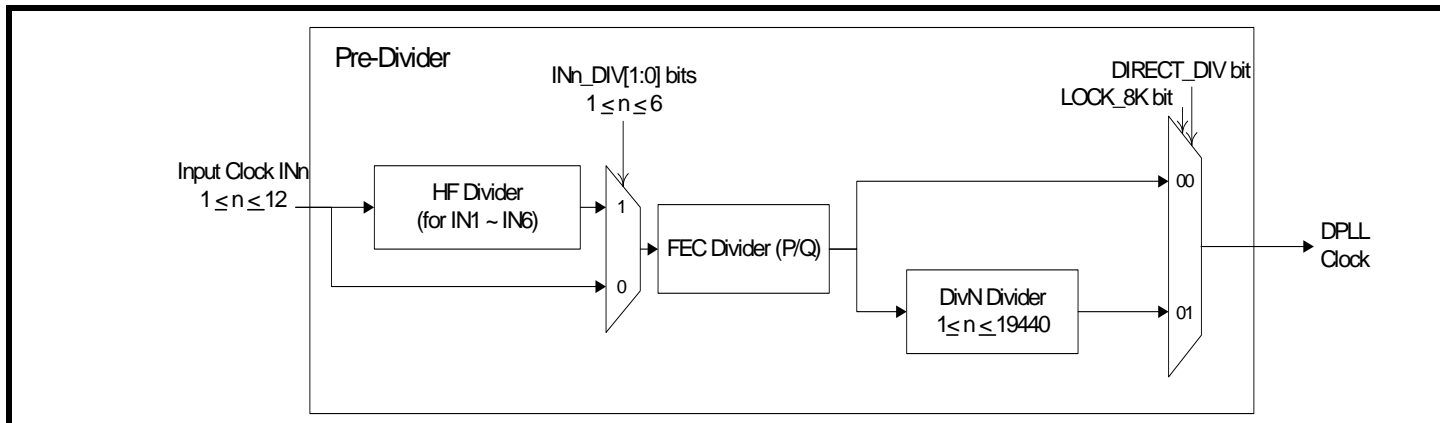


Figure 6. Pre-divider for an input clock

### 3.1.3.2 Input Clock Quality Monitoring

The qualities of all the input clocks are always monitored in the following aspects:

- Activity
- Frequency

LOS monitoring is only conducted on IN1 and IN2. Activity and frequency monitoring are conducted on all the input clocks.

The qualified clocks are available for selection for all 3 DPLLs.

#### 3.1.3.2.1 Activity Monitoring

Activity is monitored by using an internal leaky bucket accumulator, as shown in Figure 7.

Each input clock is assigned an internal leaky bucket accumulator. The input clock is monitored for each period of 128 ms, the internal leaky bucket accumulator is increased by 1 when an event is detected; and it is decreased by 1 when no event is detected within the period set by the decay rate. The event is that an input clock drifts outside ( $\pm$ ) 500 ppm with respect to the system clock within a 128 ms period.

There are four configurations (0 - 3) for a leaky bucket accumulator. The leaky bucket configuration for an input clock is selected by the cor-

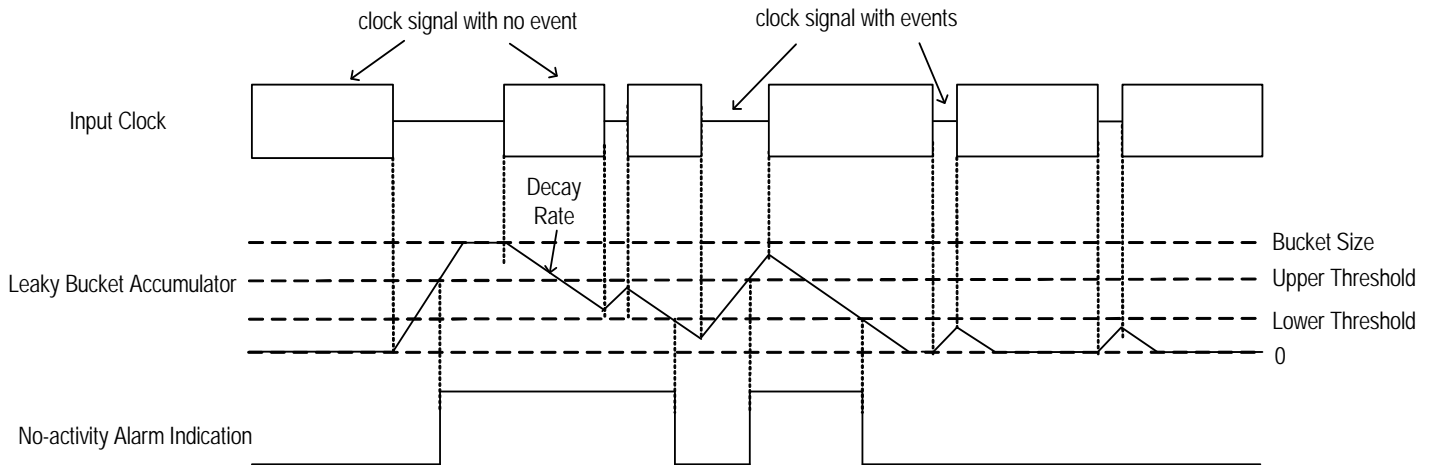
responding BUCKET\_SEL[1:0] bits. Each leaky bucket configuration consists of four elements: upper threshold, lower threshold, bucket size and decay rate.

The bucket size is the capability of the accumulator. If the number of the accumulated events reach the bucket size, the accumulator will stop increasing even if further events are detected. The upper threshold is a point above which a no-activity alarm is raised. The lower threshold is a point below which the no-activity alarm is cleared. The decay rate is a certain period during which the accumulator decreases by 1 if no event is detected.

The leaky bucket configuration is programmed by one of four groups of register bits: the BUCKET\_SIZE\_n\_DATA[7:0] bits, the UPPER\_THRESHOLD\_n\_DATA[7:0] bits, the LOWER\_THRESHOLD\_n\_DATA[7:0] bits and the DECAY\_RATE\_n\_DATA[1:0] bits respectively; 'n' is 0 ~ 3.

The no-activity alarm status of the input clock is indicated by the INn\_NO\_ACTIVITY\_ALARM bit ( $12 \geq n \geq 1$ ).

The input clock with a no-activity alarm is disqualified for clock selection for the DPLLs.



**Figure 7. Input Clock Activity Monitoring**

### 3.1.3.2.2 Frequency Monitoring

Frequency is monitored by comparing the input clock with a reference clock. The reference clock can be derived from the system clock or the output of DPLL1, as determined by the `FREQ_MON_CLK` bit.

Each reference clock has a hard frequency monitor and a soft frequency monitor. Both monitors have two thresholds, rejecting threshold and accepting threshold, which are set in `HARD_FREQ_MON_THRESHOLD[7:0]` and `SOFT_FREQ_MON_THRESHOLD[7:0]`. So four frequency alarm thresholds are set for frequency monitoring: Hard Alarm Accepting Threshold, Hard Alarm Rejecting Threshold, Soft Alarm Accepting Threshold and Soft Alarm Rejecting Threshold.

The frequency hard alarm accepting threshold can be calculated as follows:

$$\text{Frequency Hard Alarm Accepting Threshold (ppm)} = (\text{HARD\_FREQ\_MON\_THRESHOLD}[7:4] + 1) \times \text{FREQ\_MON\_FACTOR}[3:0] \text{ (b3-0, FREQ\_MON\_FACTOR\_CNFG)}$$

The frequency hard alarm rejecting threshold can be calculated as follows:

$$\text{Frequency Hard Alarm Rejecting Threshold (ppm)} = (\text{HARD\_FREQ\_MON\_THRESHOLD}[3:0] + 1) \times \text{FREQ\_MON\_FACTOR}[3:0] \text{ (b3-0, FREQ\_MON\_FACTOR\_CNFG)}$$

When the input clock frequency rises to above the hard alarm rejecting threshold, the `INn_FREQ_HARD_ALARM` bit ( $12 \geq n \geq 1$ ) will alarm and indicate '1'. The alarm will remain until the frequency is down to below the hard alarm accepting threshold, then the `INn_FREQ_HARD_ALARM` bit will return to '0'. There is a hysteresis between frequency monitoring, refer to [Figure 8. Hysteresis Frequency Monitoring page 19](#).

The soft alarm is indicated by the `INn_FREQ_SOFT_ALARM` bit ( $12 \geq n \geq 1$ ) in the same way as hard alarm.

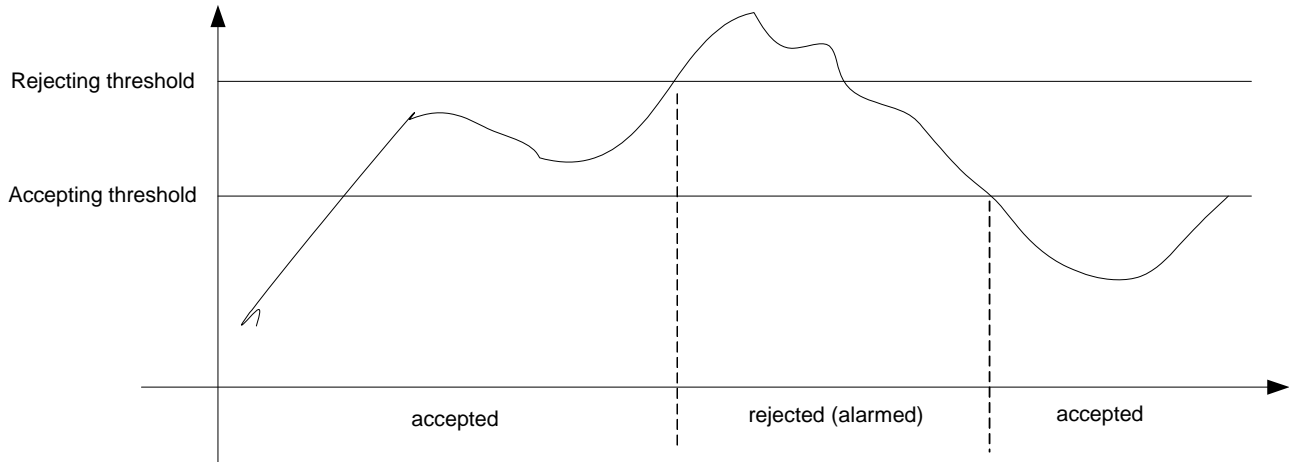
The input clock with a frequency hard alarm is disqualified for clock selection for the DPLLs, but the soft alarm doesn't affect the clock selection for the DPLLs.

The frequency of each input clock with respect to the reference clock can be read by doing the following step:

1. Read the value in the `IN_FREQ_VALUE[7:0]` bits and calculate as follows:

$$\text{Input Clock Frequency (ppm)} = \text{IN\_FREQ\_VALUE}[7:0] * \text{FREQ\_MON\_FACTOR}[3:0]$$

Note that the value set by the `FREQ_MON_FACTOR[3:0]` bits depends on the application.



**Figure 8. Hysteresis Frequency Monitoring**

**3.1.3.3 Input Clock Selection**

For DPLL1, DPLL2 and DPLL3, the DPLL1/2/3\_INPUT\_SEL[3:0] bits (register DPLL1/2/3\_input\_sel\_cnfg) determine the input clock selection, as shown in [Table 8](#):

**Table 8: Input Clock Selection for DPLL1, DPLL2 and DPLL3**

| DPLL1/2/3_INPUT_SEL[3:0] | Input Clock Selection         |
|--------------------------|-------------------------------|
| 0000                     | Automatic selection           |
| 0001 ~ 1110              | Forced selection (IN1 ~ IN14) |
| 1111                     | Reserved                      |

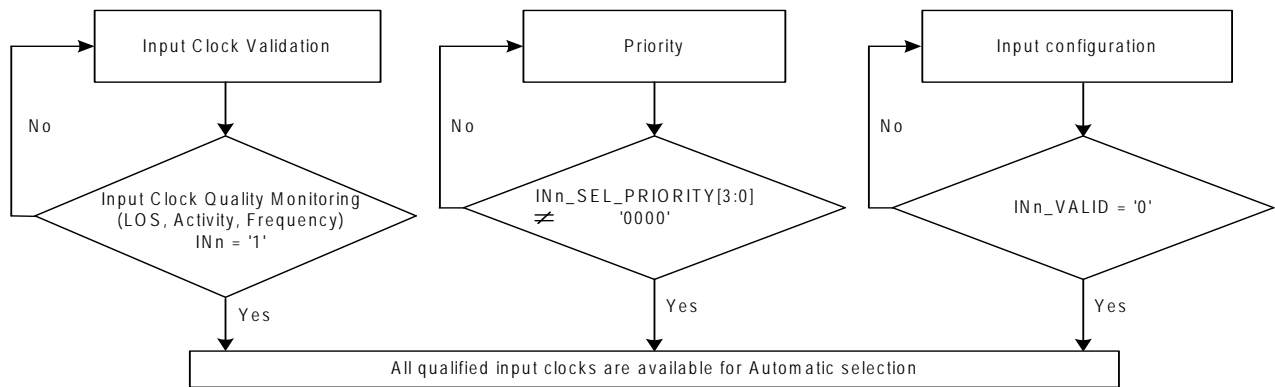
**3.1.3.3.1 Forced Selection**

In Forced selection, the selected input clock is set by the DPLL1\_INPUT\_SEL[3:0], DPLL2\_INPUT\_SEL[3:0], and DPLL3\_INPUT\_SEL[4:0] bits. The results of input clocks quality monitoring do not affect the input clock selection if Forced selection is used.

### 3.1.3.3.2 Automatic Selection

In Automatic selection, the input clock selection is determined by input clock being valid, priority and input clock configuration. The input clock is declared valid depending on the results of input clock quality monitoring (refer to [Chapter 3.1.3.2](#)). The input clock can be configured to be valid and therefore be allowed to participate in the locking process by setting to "0" the corresponding INn\_VALID bit ( $12 \geq n \geq 1$ ) in DPLL\_remote\_input\_valid\_cfg register, by default all the inputs are not

valid, and therefore the user must set the corresponding bit to "0" in order to allow the DPLL to lock to a particular input clock. Within all the qualified input clocks, the one with the highest priority is selected. The priority is set by the corresponding INn\_SEL\_PRIORITY[3:0] bits in DPLL\_INn\_sel\_priority\_cfg ( $12 \geq n \geq 1$ ). If more than one qualified input clock INn is available, then it is important to set appropriate priorities to the input clocks, two input clocks must not have the same priority. This process is shown in [Figure 9](#).



**Figure 9. Qualified Input Clocks for Automatic Selection**

#### 3.1.3.3.2.1 Input Clock Validation

For all the input clocks, the input is declared valid depending on the results of input clock quality monitoring (refer to [Chapter 3.1.3.2](#)). The IN\_NOISE\_WINDOW bit should be set to '1' if any of INn\_FREQ[3:0] is set for frequencies  $\leq 8$  kHz, by default it is set to '0'.

For DPLL1 and DPLL2, the following conditions must be satisfied for the input clock to be valid; otherwise, it is invalid.

- No no-activity alarm (the INn\_NO\_ACTIVITY\_ALARM bit is '0');
- No frequency hard alarm (the INn\_FREQ\_HARD\_ALARM bit is '0');
- No phase lock alarm, i.e., the INn\_PH\_LOCK\_ALARM bit is '0';
- If the ULTR\_FAST\_SW bit is '1', the DPLL selected input clock misses less than (<) 2 consecutive clock cycles; if the ULTR\_FAST\_SW bit is '0', this condition is ignored;
- LOS[3:0] are not set to disqualify the input clock

For DPLL3, the following conditions must be satisfied for the input clock to be valid; otherwise, it is invalid.

- No no-activity alarm (the INn\_NO\_ACTIVITY\_ALARM bit is '0');
- No frequency hard alarm (the INn\_FREQ\_HARD\_ALARM bit is '0');
- LOS[3:0] are not set to disqualify the input clock

The INn bit ( $12 \geq n \geq 1$ ) indicates whether or not the clock is valid. When the input clock changes from 'valid' to 'invalid', or from 'invalid' to 'valid', the INn bit will be set. If the INn bit is '1', an interrupt will be generated.

When the DPLL selected input clock has failed, i.e., the selected input clock changes from 'valid' to 'invalid', the DPLL\_MAIN\_REF\_FAILED bit will be set. If the DPLL\_MAIN\_REF\_FAILED bit is '1', an interrupt will be generated.

#### 3.1.3.3.2.2 Revertive and Non-Revertive Switching

For DPLL1 and DPLL2, Revertive and Non-Revertive switchings are supported, as selected by the REVERTIVE\_MODE bit.

For DPLL3, only Revertive switching is supported.

GR-1244 defines Revertive and Non-Revertive Reference switching. In Non-Revertive switching, a switch to an alternate reference is maintained even after the original reference has recovered from the failure that caused the switch. In Revertive switching, the clock switches back to the original reference after that reference recovers from the failure, independent of the condition of the alternate reference. In Non-Revertive switching, input clock switch is minimized.

In Revertive switching, the selected input clock is switched when another qualified input clock with a higher priority than the current selected input clock is available. Therefore, if REVERTIVE\_MODE bit is set to "1", then the selected input clock is switched if any of the following is satisfied:

- the selected input clock is disqualified;
- another qualified input clock with a higher priority than the selected input clock is available.

A qualified input clock with the highest priority is selected by revertive switching. If more than one qualified input clock INn is available, then it is important to set appropriate priorities to the input clocks, two input clocks must not have the same priority.

In Non-Revertive switching, the DPLL1/2 selected input clock is not switched when another qualified input clock with a higher priority than the current selected input clock becomes available. In this case, the selected input clock is switched and a qualified input clock with the highest priority is selected only when the DPLL1/2 selected input clock is disqualified. If more than one qualified input clock INn is available, then it is important to set appropriate priorities to the input clocks, two input clocks must not have the same priority.

### 3.1.3.3.3 Selected / Qualified Input Clocks Indication

The selected input clock is indicated by the CURRENTLY\_SELECTED\_INPUT[3:0] bits.

When the device is configured in Automatic selection and Revertive switching is enabled, the input clock indicated by the CURRENTLY\_SELECTED\_INPUT[3:0] bits is the same as the one indicated by the HIGHEST\_PRIORITY\_VALIDATED[3:0] bits.

### 3.1.3.3.4 Input Clock Loss of Signal

There are 4 LOS input pins (LOS[3:0]) that can be used to disqualify the input clock. If they are set high, then the associated input clock is disqualified to be used as an input clock, and therefore the DPLLs will not lock to that particular input clock.

The 4 LOS pins can be associated with any input clock by setting bits LOS\_EN in INn\_LOS\_SYNC\_CNFG (1<n<14) register. By default, the LOS pins are not associated with any input.

## 3.1.4 DPLL LOCKING PROCESS

The following events are always monitored for the DPLLs locking process:

- Fast Loss;
- Fine Phase Loss;
- Hard Limit Exceeding.

For proper operation, COARSE\_PH\_LOS\_LIMT\_EN must be set to 0.

### 3.1.4.1 Fast Loss

A fast loss is triggered when the selected input clock misses 3 consecutive clock cycles. It is cleared once an active clock edge is detected.

For all DPLL1 and DPLL2 the occurrence of the fast loss will result in the DPLL to unlock if the FAST\_LOS\_SW bit is '1'. For DPLL3, the occurrence of the fast loss will result in the DPLL to unlock regardless of the FAST\_LOS\_SW bit.

### 3.1.4.2 Fine Phase Loss

The DPLL compares the selected input clock with the feedback signal. If the phase-compared result exceeds the fine phase limit programmed by the PH\_LOS\_FINE\_LIMT[2:0] bits, a fine phase loss is triggered. It is cleared once the phase-compared result is within the fine phase limit.

For greatest jitter and wander tolerance, set the PH\_LOS\_FINE\_LIMT[2:0] to the largest value.

The occurrence of the fine phase loss will result in DPLL to unlock if the FINE\_PH\_LOS\_LIMT\_EN bit is '1'.

### 3.1.4.3 Hard Limit Exceeding

Two limits are available for this monitoring. They are DPLL soft limit and DPLL hard limit. When the frequency of the DPLL output with respect to the system clock exceeds the DPLL soft / hard limit, a DPLL soft / hard alarm will be raised; the alarm is cleared once the frequency is within the corresponding limit. The occurrence of the DPLL soft alarm does not affect the DPLL locking status. The DPLL soft alarm is indicated by the corresponding DPLL\_SOFT\_FREQ\_ALARM bit. The occurrence of the DPLL hard alarm will result in the DPLL to unlock if the FREQ\_LIMT\_PH\_LOS bit is '1'.

The DPLL soft limit is set by the DPLL\_FREQ\_SOFT\_LIMT[6:0] bits and can be calculated as follows:

$$DPLL \text{ Soft Limit (ppm)} = DPLL\_FREQ\_SOFT\_LIMT[6:0] \times 0.724$$

The DPLL hard limit is set by the DPLL\_FREQ\_HARD\_LIMT[15:0] bits and can be calculated as follows:

$$DPLL \text{ Hard Limit (ppm)} = DPLL\_FREQ\_HARD\_LIMT[15:0] \times 0.0014$$

### 3.1.4.4 Locking Status

The DPLL locking status depends on the locking monitoring results. The DPLL is in locked state if none of the following events is triggered during 2 seconds; otherwise, the DPLL is unlocked.

- Fast Loss (the FAST\_LOS\_SW bit is '1');
- Fine Phase Loss (the FINE\_PH\_LOS\_LIMT\_EN bit is '1');
- DPLL Hard Alarm (the FREQ\_LIMT\_PH\_LOS bit is '1').

If the FAST\_LOS\_SW bit, the COARSE\_PH\_LOS\_LIMT\_EN bit, the FINE\_PH\_LOS\_LIMT\_EN bit or the FREQ\_LIMT\_PH\_LOS bit is '0', the DPLL locking status will not be affected even if the corresponding event is triggered. If all these bits are '0', the DPLL will be in locked state in 2 seconds.

The DPLL locking status is indicated by the corresponding DPLL\_LOCK bits and by the DPLL\_LOCK pins.

### 3.1.4.5 Phase Lock Alarm

DPLL1 and DPLL2 have a phase lock alarm that will be raised when the selected input clock can not be locked in DPLL1/2 within a certain period. This period can be calculated as follows:

$$\text{Period (sec.)} = \text{TIME\_OUT\_VALUE}[5:0] \times \text{MULTI\_FACTOR}[1:0]$$

The phase lock alarm is indicated by the corresponding INn\_PH\_LOCK\_ALARM bit ( $12 \geq n \geq 1$ ).

The phase lock alarm can be cleared, as selected by the PH\_ALARM\_TIMEOUT bit:

- It is cleared when a '1' is written to the corresponding INn\_PH\_LOCK\_ALARM bit;
- It is cleared after the period (=  $\text{TIME\_OUT\_VALUE}[5:0] \times \text{MULTI\_FACTOR}[1:0]$  in second) starting from the time the alarm is raised.

The selected input clock with a phase lock alarm is disqualified for the DPLL1 and DPLL2 to lock.

Note that phase lock alarm is not available for DPLL3.

### 3.1.5 APLL1 AND APLL2

APLL1 and APLL2 are provided for a better jitter and wander performance of the device output clocks. The bandwidth for APLL1 and APLL2 is internally set to 22kHz (typical).

The input of both APLLs can be derived from one of the DPLL1 or DPLL2 outputs, as selected by the ap11\_path\_freq\_cfg[2:0] and ap12\_path\_freq\_cfg[2:0] bits respectively as shown in [Table 9](#).

Table 9: APLL1/2 input selection

| ap11/ap12_path_freq_cfg[2:0] | APLL1/2 Input Selection  |
|------------------------------|--------------------------|
| 000                          | 622.08 MHz from DPLL1    |
| 001                          | 625 MHz from DPLL1       |
| 010                          | 644.53125 MHz from DPLL1 |
| 011                          | Reserved                 |
| 100                          | 622.08 MHz from DPLL2    |
| 101                          | 625 MHz from DPLL2       |
| 110                          | 644.53125 MHz from DPLL2 |
| 1111                         | Reserved                 |

To following steps should be followed to set APLL1/APLL2 output to Ethernet LAN PHY frequencies.

To initialize the device, write into the following registers:

1. Write 0x04F4F0 to bits ap11/ap12\_divn\_frac\_cfg[20:0] of APLL1/APLL2 fractional feedback divider configuration register to set the fractional part of feedback divider for APLL1/APLL2
2. Write 0x0051 to bits ap11/ap12\_divn\_den\_cfg[15:0] of APLL1/APLL2 divisor denominator configuration register to set the denominator part of feedback divider for APLL1/APLL2
3. Write 0x0010 to bits ap11/ap12\_divisor\_num\_cfg[15:0] of APLL1/APLL2 divisor numerator configuration register to set the numerator part of feedback divider for APLL1/APLL2
4. Write 0x21 to bits ap11/ap12\_divisor\_int\_cfg[5:0] of APLL1/APLL2 divisor integer configuration register to set the integer part of feedback divider for APLL1/APLL2
5. Write 0x13356218 to bits ap11/ap12\_fr\_ratio\_cfg[28:0] of APLL1/APLL2 feedback divider configuration register to set the feedback divider for APLL1/APLL2

After the device has been initialized according to the steps above, follow the following steps when setting APLL1/APLL2 path to 644.53125 MHz:

- Write 1'b1 to dsm\_cfg\_en bit to enable the preset programmable feedback divider of APLL1/APLL2 configuration register
- Write the corresponding value in the ap11/ap12\_path\_freq\_cfg[2:0] bits according to [Table 9](#).

After the device has been initialized according to the steps 1 to 5 above, follow the following steps when setting APLL1/APLL2 path to 625MHz: or 622.08MHz

- Write 1'b0 to dsm\_cfg\_en bit to disable the preset programmable feedback divider of APLL1/APLL2 configuration register
- Write the corresponding value in the ap11/ap12\_path\_freq\_cfg[2:0] bits according to [Table 9](#).

### 3.1.6 APLL3

The APLL3 is provided for a better jitter and wander performance of the device differential output clocks OUT10 and OUT11.

APLL3 supports 3 clock modes: SONET, Ethernet, and Ethernet LAN. The base frequency for the 3 clock modes are 622.08 MHz, 625 MHz, and 644.53125 MHz respectively. The clock mode selected is determined by the crystal used for the APLL.

The APLL uses a crystal to generate the respective mode's base frequency. The supported crystal frequencies are 24.8832 MHz (SONET),

25 MHz (Ethernet) and 25.78125 MHz (Ethernet LAN). The APLL supports up to two crystal connections, allowing the APLL to support up to two mode's base frequencies.

The input of both APLL3 can be derived from one of the DPLL1 or DPLL2 outputs by configuring internal registers as described in [Table 10](#). The bandwidth for APLL3 is set to greater 30 Hz (typical), therefore the bandwidth of DPLL1 or the DPLL2 that is connected to APLL3 should be set to 18 Hz.

Table 10: APLL3 input selection

| Crystal  | APLL3 Input          | APLL3_mux_cnfg[3:0] | APLL3_div1_cnfg[7:0] | APLL3_div2_cnfg[26:0] | APLL3_pd_sel[14:0] | APLL3_pd_sel[14:0] |
|----------|----------------------|---------------------|----------------------|-----------------------|--------------------|--------------------|
| 24.88320 | 8100 Hz from DPLL1   | 0x04                | 0x01                 | 0x000012BF            | 0x0001             | 0x0C00             |
| 24.88320 | 8100 Hz from DPLL2   | 0x0C                | 0x01                 | 0x000012BF            | 0x0001             | 0x0C00             |
| 25.00000 | 8000 Hz from DPLL1   | 0x04                | 0x01                 | 0x000012FB            | 0x0001             | 0x0C35             |
| 25.00000 | 8000 Hz from DPLL2   | 0x0C                | 0x01                 | 0x000012FB            | 0x0001             | 0x0C35             |
| 25.78125 | 7812.5 Hz from DPLL1 | 0x03                | 0x01                 | 0x0000063F            | 0x0001             | 0x0CE4             |
| 25.78125 | 7812.5 Hz from DPLL2 | 0x0B                | 0x01                 | 0x0000063F            | 0x0001             | 0x0CE4             |

#### 3.1.6.1 External Crystals

Suggestions for crystal options and best matching to APR requirements, crystal tolerance considerations and budgets, component place-

ment and crystal wiring to achieve minimum capacity are fully detailed in IDT AN-861, "Recommended Crystals and Layout Guidelines for IDT's VCXO-based Synchronization PLLs.



### 3.1.7 OUTPUT CLOCKS & FRAME SYNC SIGNALS

The device supports 11 output clocks and 2 frame sync output signals.

#### 3.1.7.1 Output Clocks

OUT1 can be derived either from DPLL1, DPLL2, or APLL1 selected by out1\_mux\_cnfg[3:0]

OUT2 ~ OUT4 can be derived from APLL1.

OUT5 ~ OUT7 can be derived from APLL2.

OUT1 to OUT7 have an output divider associated with each output. The divider is composed by 2 cascaded dividers, the first divider can be programmed by writing into OUTn\_DIV1\_CNFG[4:0], the second divider can be programmed by writing into OUTn\_DIV2\_CNFG[26:0].

Figure 10 shows the diagram for OUT1 output dividers and relevant register bits.

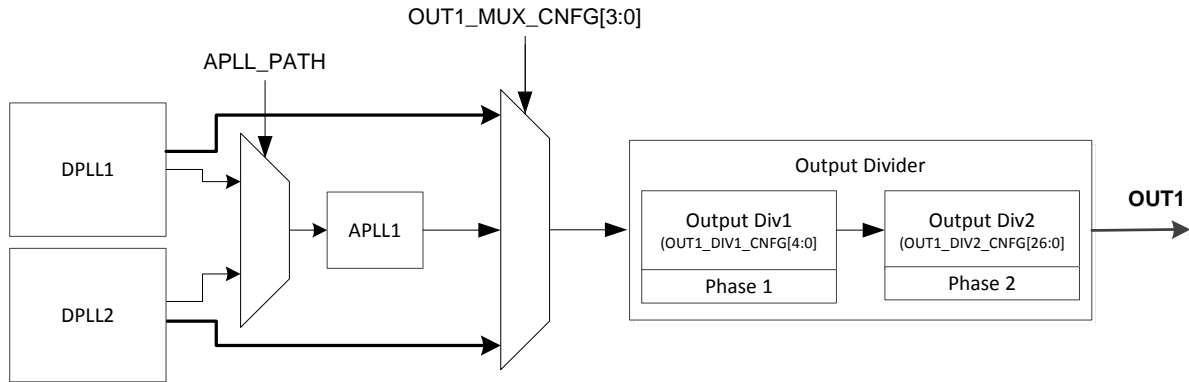


Figure 10. OUT1 output dividers

Figure 11 shows the diagram for OUT2 to OUT7 output dividers and relevant register bits.

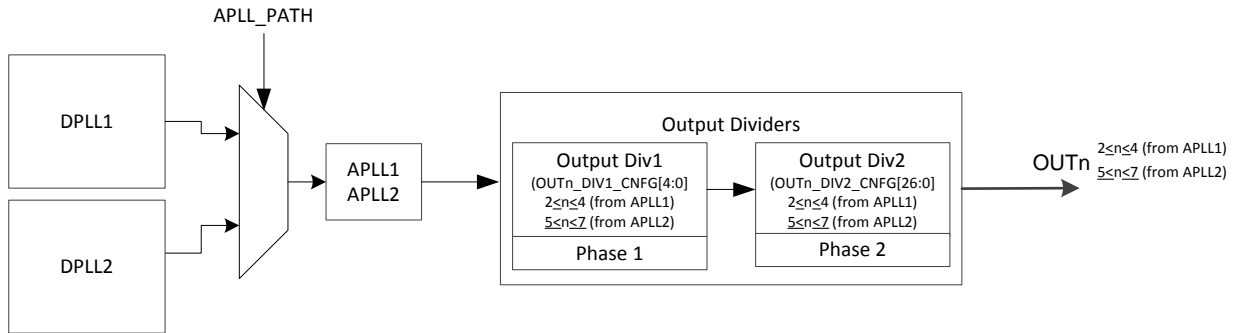


Figure 11. OUT2 to OUT7 output dividers

OUT8 and OUT9 are derived from DPLL3, there is an output divider associated with it. A GUI (Time Commander) can be used to set the following bits in the respective register that are associated with the DPLL3 dividers.

- To set the feedback divider, program dpll3\_fb\_div\_cnfg[13:0] bits of DPLL3 feedback divider register
- To set the fractional divider, program dpll3\_divn\_frac\_cnfg[23:0] bits of DPLL3 fractional divider register

- To set the denominator of the fractional divider, program dpll3\_divn\_den\_cnfg[15:0] bits of DPLL3 fractional divider denominator register
- To set the numerator of the fractional divider, program dpll3\_divn\_num\_cnfg[15:0] bits of DPLL3 fractional divider numerator register
- To set the integer divider, program dpll3\_int\_cnfg[7:0] bits of DPLL3 integer divider register

OUT10 and OUT11 are derived from APLL3, refer to Table 11 for the output frequency.



Table 11: Outputs on OUT10~11

| OUTn_ODSELO/1[2:0]<br>(Output Divider)   | Outputs on OUT10~11 <sup>1</sup>  |                                 |   |
|--|-----------------------------------|---------------------------------|---|
|  | SONET<br>(XTALn =<br>24.8832 MHz) | ETHERNET<br>(XTALn =<br>25 MHz) | ETHERNET * 66/64<br>(XTALn =<br>25.78125 MHz) |
| 1  | 622.08 MHz                        | 625 MHz                         | 644.53125 MHz                                 |
| 2  | 311.04 MHz                        | 312.5 MHz                       | 322.265625 MHz                                |
| 4  | 155.52 MHz                        | 156.25 MHz                      | 161.1328125 MHz                               |
| 5  |                                   | 125 MHz                         |   |
| 8 <sup>2</sup>   | 77.76 MHz                         |                                 |   |
| 25 <sup>3</sup>  |                                   | 25 MHz                          |   |
| (OUTn_ENABLE = 0)  | Output 'n' is disabled            |                                 |   |
| (OUTn_ENABLE = 1)  | Output 'n' is enabled             |                                 |   |
| <b>Note:</b>   |                                   |                                 |   |
| 1. The blank cell means the configuration is reserved. The proper XTAL must be populated for XTAL1~2 based on the selected mode. |                                   |                                 |   |
| 2. OUT11 only  |                                   |                                 |   |
| 3. OUT10 only  |                                   |                                 |   |

OUT1 to OUT9 output clocks can be inverted by setting OUTn\_INVERT bit (0: output not inverted, 1: output inverted) in OUTn\_MUX\_CNFG register for (1 ≤ n ≤ 7), and in OUT8\_CNFG and OUT9\_CNFG registers for OUT8 and OUT9 respectively.

The output clocks can be squelched by setting OUTn\_SQUELCH[1:0] bits (0x: no squelch, 10: squelch to '0', 11: squelch to '1') in OUTn\_MUX\_CNFG register for (1 ≤ n ≤ 7), and in OUT8\_CNFG and OUT9\_CNFG registers for OUT1 to OUT9 respectively.

OUT1 to OUT7 output clocks can be individually powered down by setting OUTn\_PDN bit to '1' in OUTn\_MUX\_CNFG register for (1 < n < 7).

OUT10 and OUT11 can be enabled or disabled by programming OUT10\_ENABLE and OUT11\_ENABLE in the OUT10 and OUT11 configuration registers respectively.

82P33741 provides a variety of output frequencies from 1Hz to 650MHz.

APLL1 is always enabled and the default frequency for OUT1, OUT2, and OUT3 is respectively 25 MHz, 125 MHz, and 156.25MHz. OUT4 is squelched by default.

By default, OUT5 to OUT7 are squelched. Set the proper registers to set desired frequency values for OUT5 to OUT7.

DPLL3 is disabled by default, and if it is enabled, then the default frequency for OUT8 and OUT9 is respectively 16.384 MHz and 2.048 MHz.

APLL1, APLL2, and the DPLLs can be configured from an external EEPROM after reset. It can be used to set specific start up frequency values as needed by the application.

OUT10 and OUT11 are powered down by default. APLL3 must be configured via the I2C slave interface to set OUT10 and OUT11 frequency values.

### 3.1.7.2 Frame Sync Signals

Either an 8 kHz or a 2 kHz frame sync, or a 1PPS sync signal are output on the FRSYNC\_8K\_1PPS and MFRSYNC\_2K\_1PPS pins if enabled by the 8K\_1PPS\_EN and 2K\_1PPS\_EN bits respectively. They are CMOS outputs.

The output sync frequencies are independent of the input sync frequency. The output FRSYNC\_8K\_1PPS and MFRSYNC\_2K\_1PPS frequencies are selected through the dpll1/2\_fr\_mfr\_sync\_cnfg registers.

Any supported clock frequency at the clock input can be associated with the sync signals.

The frame sync output signals are derived from the DPLL1 and DPLL2 output and are aligned with the output clock. They are synchronized to the frame sync input signal.

The frame/sync output signals align to the first edge of the associated reference clock that occurs after the edge of the frame/sync input signal. The frequency of the associated reference clock must be lower or equal to the frequencies of the output clocks that requires to be aligned with the frame/sync pulse signal.

If the frame sync input signal with respect to the DPLL1/2 selected input clock is above a limit set by the SYNC\_MON\_LIMIT[2:0] bits, an external sync alarm will be raised and the frame/sync input signal is disabled to synchronize the frame/sync output signals. The external sync alarm is cleared once the frame/sync input signal with respect to the DPLL selected input clock is within the limit. If it is within the limit, whether frame/sync input signal is enabled to synchronize the frame sync output signal is determined by the AUTO\_EXT\_SYNC\_EN bit and the EXT\_SYNC\_EN bit.

When the frame/sync input signal is enabled to synchronize the frame/sync output signal, it is adjusted to align itself with the DPLL selected input clock.

By default, the falling edge of the frame/sync input signal is aligned with the rising edge of the DPPLL1/2 selected input clock. The rising edge of frame/sync input signal can be set to be aligned with the rising edge of the DPPLL1/2 selected input clock by setting sync\_edge bit to "1" in DPPLL1/2\_sync\_edge\_cnfg register.

The EX\_SYNC\_ALARM\_MON bit indicates whether frame/sync input signal is in external sync alarm status. The external sync alarm is indicated by the EX\_SYNC\_ALARM bit. If the EX\_SYNC\_ALARM bit is '1', the occurrence of the external sync alarm will trigger an interrupt.

The 8 kHz frame pulse, the 2 kHz frame pulse, and the 1PPS sync signal can be inverted by setting the 8K\_1PPS\_INV and 2K\_1PPS\_INV bits of Frame Sync and Multiframe Sync Output Configuration Register.

The 8 kHz and the 2 kHz frame sync outputs can be 50:50 duty cycle or pulsed, as determined by the 8K\_PUL and 2K\_PUL bits respectively. When they are pulsed, the pulse width derived from DPPLL1 is defined by the period of OUT1, and the pulse width derived from DPPLL2 is defined by the period of an internal clock. They are pulsed on the position of the falling or rising edge of the standard 50:50 duty cycle, as selected by the 2K\_8K\_PUL\_POSITION bit of Frame Sync and Multiframe Sync Output Configuration Register.

### 3.1.8 INPUT AND OUTPUT PHASE CONTROL

The device has several features to allow a tight control of the phase on the input and output clocks.

#### 3.1.8.1 DPPLL1 and DPPLL2 Phase offset control

The phase offset of the DPPLL1/2 selected input clock with respect to the DPPLL1/2 output can be adjusted. If the device is configured as the active PLL in a redundancy system, then the PH\_OFFSET\_EN bit determines whether the input-to-output phase offset is enabled. If the device is configured as the inactive PLL in a redundancy system, then the input-to-output phase offset is always enabled. If enabled, the input-to-output phase offset can be adjusted by setting the PH\_OFFSET\_CNFG[28:0] bits in DPPLL1/2 phase offset configuration register. The register value is a 2's complement phase offset with a resolution of 0.0745ps and a total range of [20us, - 20us].

The input-to-output phase offset can be calculated as follows:

$$\text{Phase Offset (ps)} = \text{PH\_OFFSET}[28:0] \times 0.0745$$

#### 3.1.8.2 Input Phase control

All the inputs phase can be controlled individually. They can be programmed with a resolution of 0.61 ns and a range of [77.5 ns, -78.1ns] by setting INn\_PHASE\_OFFSET\_CNFG[7:0] bits ( $1 \leq n \leq 12$ ) in the input phase offset configuration register. The register value is a 2's complement phase offset, the default is zero. The programmed offset is automatically applied to the DPPLL1 and DPPLL2 when a particular input is selected. If the manual DPPLL1 and DPPLL2 phase offset control is used then the per-input phase offset is not applied.

#### 3.1.8.3 Output Phase control

The output phase can be controlled individually for outputs OUT1 to OUT7. There is the coarse phase control that allows the output phase to be adjusted as low as 1.6ns. There is a fine phase adjustment that allows the output phase to be adjusted as low as 187.27 ps. The total range is +/-180°.

There are two registers associated with the coarse phase adjustment, the OUTn\_PH1\_CNFG ( $1 \leq n \leq 7$ ) and the OUTn\_PH2\_CNFG ( $1 \leq n \leq 7$ ) registers. The OUTn\_PH1\_CNFG register is associated with output divider 1 as shown in Figure 10 and Figure 11, the phase can be adjusted by a step size that is equal to the period of the input of clock of the output Div1, the number set in the OUTn\_PH1\_CNFG register should not be larger than the number set in OUTn\_DIV1\_CNFG register. The OUTn\_PH2\_CNFG register is associated with output divider 2 as shown in Figure 10 and Figure 11, the phase can be adjusted by a step size that is equal to the period of the input of clock of the output Div2, the number set in the OUTn\_PH2\_CNFG register should not be larger than the number set in OUTn\_DIV2\_CNFG register.

There is a register that is associated with the fine phase adjustment, the OUTn\_FINE\_CNFG ( $1 \leq n \leq 7$ ). For the fine phase adjustment, the output clocks must be output from the APLLs, The phase can be adjusted by a step size that is equal to the 1/2 of the period of the VCO. For Ethernet clocks the VCO frequency is 2.5GHz, for Ethernet LAN PHY the VCO frequency is 2.578125 GHz, and for SONET/SDH clocks the VCO frequency is 2.48832 GHz. OUT1 can be output from the DPPLLs, and in that case the fine phase adjustment is not available, it is only available if the clocks are output from the APLLs.

The output phase adjustments are not available for OUT8, OUT9, OUT10, and OUT11.

## 4 POWER SUPPLY FILTERING TECHNIQUES

To achieve optimum jitter performance, power supply filtering is required to minimize supply noise modulation of the output clocks. The common sources of power supply noise are switch power supplies and the high switching noise from the outputs to the internal PLL. The 82P33741 provides separate VDDA and VDDAO power pins for the

internal analog PLL, it also provides VDDD and VDDDO pins for the core logic as well as I/O driver circuits.

The suggested power decoupling scheme is shown in [Figure 12](#).

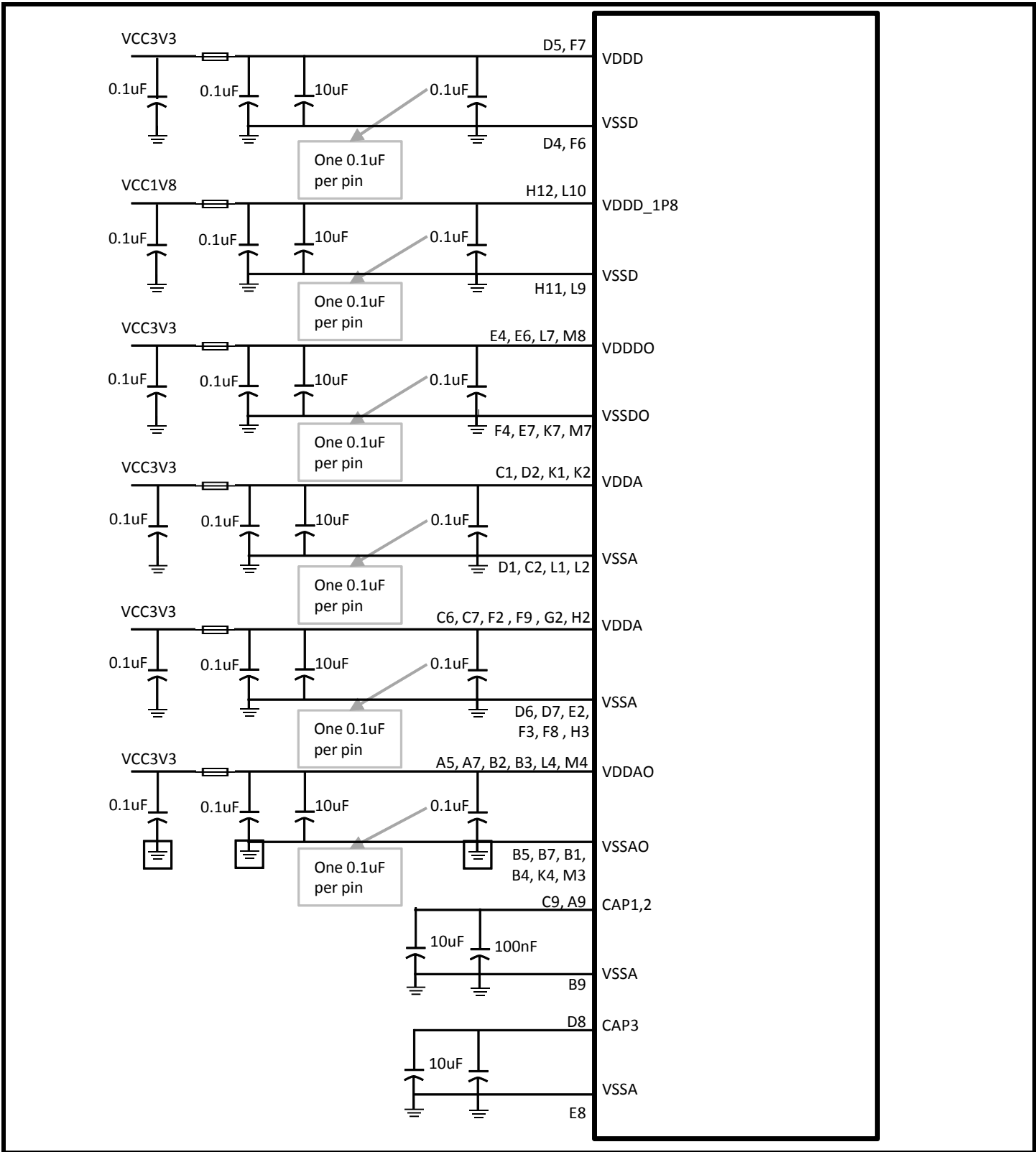


Figure 12. 82P33741 Power Decoupling Scheme

## 5 MICROPROCESSOR INTERFACE

The microprocessor interface provides access to read and write the registers in the device. The microprocessor interface supports I2C.

### 5.1 I2C SLAVE MODE

#### 5.1.1 I2C DEVICE ADDRESS

The default value for the higher 4-bit address is 4'b1010, the 2-bit address is set by pins I2C\_AD2, I2C\_AD1, and the lower bit address

I2C\_AD0 is used to address the configuration of DPLLs/APLL1/2 and APLL3.

#### 5.1.2 I2C BUS TIMING

Figure 13 shows the definition of I2C bus timing.

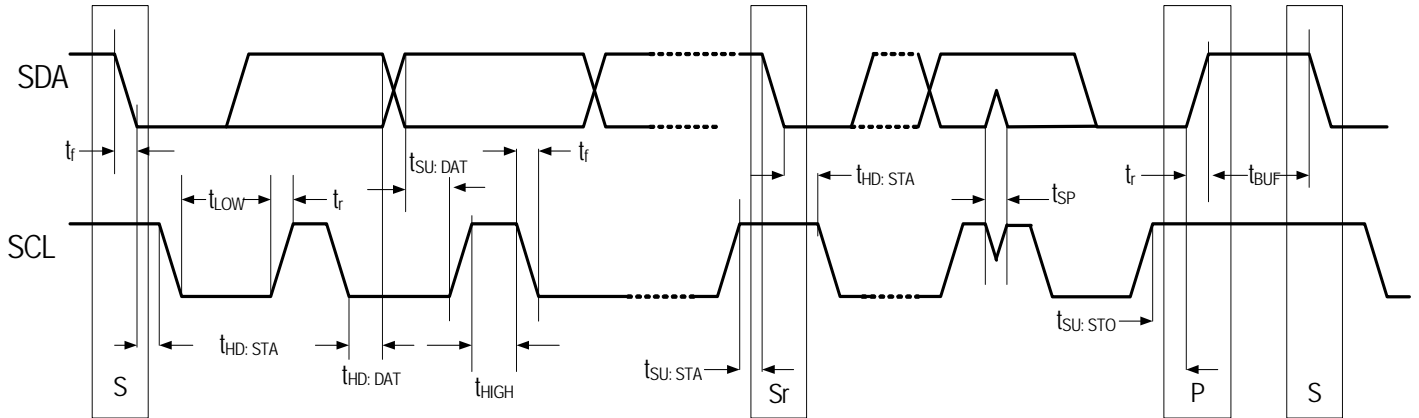


Figure 13. Definition of I2C Bus Timing

Table 12: Timing Definition for Standard Mode and Fast Mode<sup>(1)</sup>

| Symbol        | Parameter   | Standard Mode           |                          | Fast Mode                 |                         | Unit    |
|---------------|---|-------------------------|--------------------------|---------------------------|-------------------------|---------|
|               |   | Min                     | Max                      | Min                       | Max                     |         |
| SCL           | Serial clock frequency  | 0                       | 100                      | 0                         | 400                     | kHz     |
| $t_{HD: STA}$ | Hold time (repeated) START condition. After this period, the first clock pulse is generated | 4.0                     | -                        | 0.5                       | -                       | $\mu$ s |
| $t_{LOW}$     | LOW period of the SCL clock   | 4.7                     | -                        | 1.3                       | -                       | $\mu$ s |
| $t_{HIGH}$    | HIGH period of the SCL clock  | 4.0                     | -                        | 0.6                       | -                       | $\mu$ s |
| $t_{SU: STA}$ | Set-up time for a repeated START condition  | 4.7                     | -                        | 0.6                       | -                       | $\mu$ s |
| $t_{HD: DAT}$ | Data hold time: for CBUS compatible masters for I <sup>2</sup> C-bus devices                | 5.0<br>0 <sup>(2)</sup> | -<br>3.45 <sup>(3)</sup> | -<br>0 <sup>(2)</sup>     | -<br>0.9 <sup>(3)</sup> | $\mu$ s |
| $t_{SU: DAT}$ | Data set-up time  | 250                     | -                        | 100 <sup>(4)</sup>        | -                       | ns      |
| $t_r$         | Rise time of both SDA and SCL signals   | -                       | 1000                     | 20 + 0.1Cb <sup>(5)</sup> | 300                     | ns      |
| $t_f$         | Fall time of both SDA and SCL signals   | -                       | 300                      | 20 + 0.1Cb <sup>(5)</sup> | 300                     | ns      |
| $t_{SU: STO}$ | Set-up time for STOP condition  | 4.0                     | -                        | 0.6                       | -                       | $\mu$ s |
| $t_{BUF}$     | Bus free time between a STOP and START condition  | 4.7                     | -                        | 1.3                       | -                       | $\mu$ s |
| $C_b$         | Capacitive load for each bus line   | -                       | 400                      | -                         | 400                     | pF      |
| $V_{nL}$      | Noise margin at the LOW level for each connected device (Including hysteresis)              | 0.1VDD                  | -                        | 0.1VDD                    | -                       | V       |
| $V_{nH}$      | Noise margin at the HIGH level for each connected device (Including hysteresis)             | 0.2VDD                  | -                        | 0.2VDD                    | -                       | V       |
| $t_{sp}$      | Pulse width of spikes which must be suppressed by the input filter                          | 0                       | 50                       | 0                         | 50                      | ns      |

**Note:**

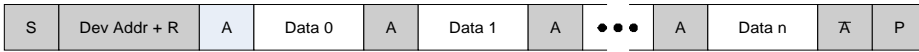
- All values referred to  $V_{IHmin}$  and  $V_{ILmax}$  levels (see Table 20)
- A device must internally provide a hold time of at least 300 ns for the SDA signal (referred to the  $V_{IHmin}$  of the SCL signal) to bridge the undefined region of the falling edge of SCL.
- The maximum  $t_{HD: DAT}$  has only to be met if the device does not stretch the LOW period ( $t_{LOW}$ ) of the SCL signal.
- A Fast-mode I<sup>2</sup>C-bus device can be used in a Standard-mode I<sup>2</sup>C-bus system, but the requirement  $t_{SU: DAT} \geq 250$  ns must then be met. This will automatically be the case if the device does not stretch the LOW period of the SCL signal. If such a device does stretch the LOW period of the SCL signal, it must output the next data bit to the SDA line  $t_{rmax} + t_{SU: DAT} = 1000 + 250 = 1250$  ns (according to the Standard-mode I<sup>2</sup>C-bus specification) before the SCL line is released.
- $C_b$  = total capacitance of one bus line in pF. If mixed with Hs-mode device, faster fall-times according to Table 21 allowed.

n/a = not applicable

5.1.3 SUPPORTED TRANSACTIONS

The supported types of transactions are shown below.

Current Read



Sequential Read



Sequential Write



from master to slave  
 from slave to master  
 S = start  
 S<sub>r</sub> = repeated start  
 A = acknowledge  
 A-bar = not acknowledge  
 P = stop

Figure 14. I2C Slave Interface Supported Transactions

Table 13: Description of I2C Slave Interface Supported Transactions

| Operation        | Description  |
|------------------|--|
| Current Read     | Reads a burst of data from an internal determined starting address, this starting address is equal to the last address accessed during the last read or write operation, incremented by one. If the address exceeds the address space, it will start from 0 again. |
| Sequential Read  | Reads a burst of data from a specified address space. The starting address of the space is specified as offset address.  |
| Sequential Write | Writes a burst of data to a specified address space, the starting address of the space is specified as offset address.   |

The registers are divided up into pages of 128 bytes with each byte having a separate address. Multi-byte registers need to be accessed in multiple read/write cycles. Address 0x7F is reserved for the page index pointer.

All register accesses are done as 8 bit I2C cycles. The 8-bit address refers to the register offset within the active page. If access to a different page is needed then a separate I2C write must be performed to the page register (0x7F). This makes the new page active and then 8 bit reads and writes can be performed anywhere within that page.

Note that accesses to multi-byte registers should not be interrupted by accesses to other addresses, because that may cause the data to be corrupted. The access of the multi-byte registers is different from the single-byte registers. Take the DPLL1 priority table registers (00H and 01H in page 2) as an example, the write operation for the multi-byte registers follows a fixed sequence. The register (00H) is configured first and the register (01H) is configured last. The two registers are configured continuously and should not be interrupted by any operation. The DPLL1 priority table configuration will take effect after all the two registers are configured. During read operation, the register (00H) is read first and the register (01H) is read last. The priority table configuration register reading should be continuous and not be interrupted by any operation.

5.2 I2C MASTER MODE

The 82P33741 has the capability to read from an external I2C EEPROM upon exit from reset. This reduces the start-up load on the

microprocessor by programming the registers in the device-address space 101\_0xx1 (registers in device-address space 101\_0xx0 must still be written by the microprocessor). This mode uses the MPU\_MODE1/I2CM\_SCL and the MPU\_MODE0/I2CM\_SDA pins as the serial clock and the serial data respectively, it requires that both these pins be pulled high through resistors (these resistor values are dependent on the bus capacitance and I2C speed of the application). Access to the 82P33741 registers through the microprocessor interface I2C serial port is not available until the EEPROM reading process is completed.

As an I<sup>2</sup>C bus master, the 82P33741 will support the following:

- 8 kbit (1023 x 8) I2C EEPROM with device address 1010000 (for the base block)
- Sequential read (block read) of the entire memory-map for device-excluding APLL3, from byte-address 0x000 to 0x39E
- 7-bit device address mode
- Validation of the EEPROM read data via CCITT-8 CRC check against value stored in memory-map address 0x39E
- Support for 100kHz and 400kHz operation with speed programmability. If bit 7 is set at memory-map address 0x001, the 82P33741 will shift from 100kHz operation to 400kHz operation.
- 2-byte word-addressing (1-byte word addressing is supported by offsetting the memory-map upwards 1 address in the EEPROM)
- Read will abort with an alarm (RD\_EEPROM\_ERR interrupt status set) if any of the following conditions occur: Slave NACK, CRC failure, Slave Response time-out

As the 82P33741 I2C master bus is meant only to read from a single EEPROM, it has the following restrictions:

- No support for Multi-master
- No support for Slave clock stretching
- No support for I2C Start Byte protocol
- No support for EEPROM Chaining
- No support for Writing to external I2C devices including the EEPROM used for booting

### 5.2.1 I2C BOOT-UP INITIALIZATION MODE

EEPROM mode is enabled via setting the MPU\_MODE[1:0] pins high (through two separate pull-up resistors). Once the RSTB input has been asserted (low) and then de-asserted (high) and the device internal calibration has been completed, the 82P33741 will perform a short block read at 100 kHz to program the EEPROM read speed (100 kHz or 400 kHz). The 82P33741 will then perform a block read to program all the device configuration registers, and check the CRC of the EEPROM data. During the boot-up EEPROM-reading process, the 82P33741 will not respond to microprocessor serial control port accesses. Once the initialization process is completed, the contents of any of the device configuration registers can be further altered by the microprocessor, if desired.

The 82P33741 can work with EEPROMs supporting 2-byte word-addresses or 1-byte word-addresses by using 2-byte word addressing for both. This works in the usual manner for EEPROMs supporting 2-byte word addresses, and gives an address-to-address match between EEPROM and memory-map. For EEPROMs supporting only 1-byte word addresses, the second address byte will cause an addition increment of the address counter, and the memory-map will be read at the next highest EEPROM address, i.e. memory-map (CSR) address 0x00 will be read from EEPROM address 0x01, and memory map address 0x39E will be read from EEPROM address 0x39F.

If a NACK is received to any of the read cycles performed by the 82P33741 during the initialization process, or if the CRC does not match the one stored in memory-map address 0x39E, the boot process will be restarted. This restart can happen up to three times before an abort is declared and the RD\_EEPROM\_ERR interrupt status bit is set. Also on RD\_EEPROM\_ERR the MPU\_MODE1/ I2CM\_SCL and MPU\_MODE0/ I2CM\_SDA pins are both held low until the interrupt status bit is cleared or the device is reset. The suggested method for dealing with RD\_EEPROM\_ERR is to externally set the MPU\_MODE[1:0] pins to 00 and then reset the 82P33741 so that it will boot into I2C serial port mode.

After a successful EEPROM boot, the 82P33741 will stop toggling the MPU\_MODE1/ I2CM\_SCL and MPU\_MODE0/I2CM\_SDA pins, returning them to static high values, and the RD\_EEPROM\_DONE interrupt status bit will be set. The I2C serial port will now respond to microprocessor reads and writes to the appropriate I2C device address.

### 5.2.2 EEPROM MEMORY MAP NOTES

The EEPROM memory-map is the same as the control and status register (CSR) map with the following additions and constraints:

1. For EEPROMs supporting 2-byte word-address, the memory-map addresses are the same as the EEPROM addresses; for EEPROMs supporting 1-byte word-address, the memory-map addresses will be mapped to the next address in the EEPROM, i.e. memory-map address 0x00 will be read from EEPROM address 0x01, and memory-map address 0x39E will be read from EEPROM address 0x39F.

2. Memory-map address 0x001, bit 7 is the EEPROM read speed (0 for 100 kps, 1 for 400 kbps)

3. Memory-map address 0x39E is the CRC-8 of the memory-map from 0x000 to 0x39D (the standard CCITT CRC-8 with the data width and result width being 8; the polynomial is (0, 1, 2, 8) or "0x07"). NB: all memory-map addresses from 0x000 to 0x39d are included in the sequential calculation of CRC, including those not used in the CSR - it is recommend that data at unused addresses be set to 0x00.

4. Memory-map addresses 0x392 to 0x39D must be set to the default values shown in the CSR documentation.

5. The device address at memory-map address 0x00f must match the address set by the board.

6. Each memory-map address that is a multiple of 0x7F must contain the pointer to the next page of the CSR i.e

|       |      |
|-------|------|
| 0x07f | 0x01 |
| 0x0ff | 0x02 |
| 0x17f | 0x03 |
| 0x1ff | 0x04 |
| 0x27f | 0x05 |
| 0x2ff | 0x06 |
| 0x37f | 0x07 |

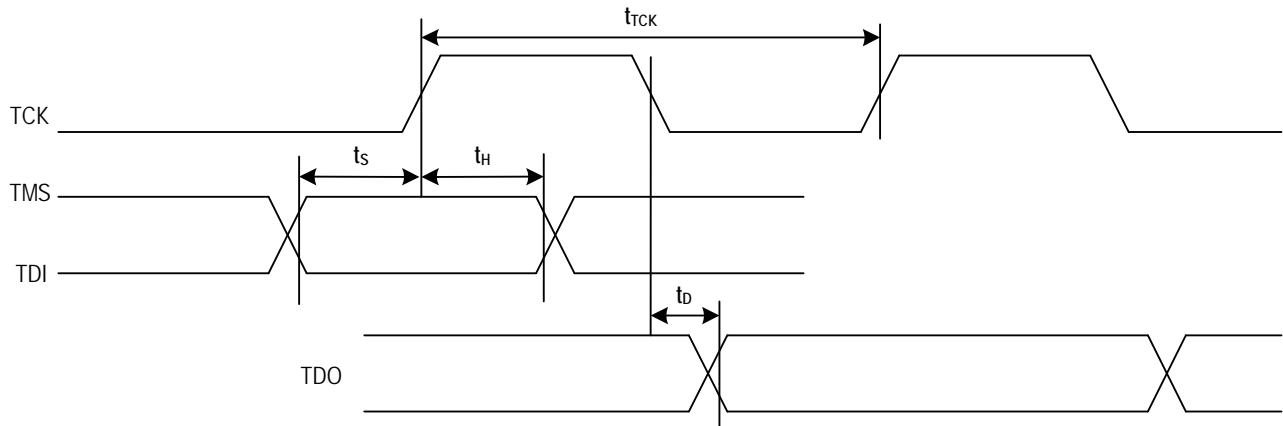


## 6 JTAG

This device is compliant with the IEEE 1149.1 Boundary Scan standard except the following:

- The output boundary scan cells do not capture data from the core and the device does not support EXTEST instruction;

The JTAG interface timing diagram is shown in [Figure - 15](#).



**Figure 15. JTAG Interface Timing Diagram**

**Table 14: JTAG Timing Characteristics**

| Symbol    | Parameter                   | Min | Typ | Max | Unit |
|-----------|-----------------------------|-----|-----|-----|------|
| $t_{TCK}$ | TCK period                  | 100 |     |     | ns   |
| $t_s$     | TMS / TDI to TCK setup time | 25  |     |     | ns   |
| $t_H$     | TCK to TMS / TDI Hold Time  | 25  |     |     | ns   |
| $t_D$     | TCK to TDO delay time       |     |     | 50  | ns   |

## 7 THERMAL MANAGEMENT

The device operates over the industry temperature range -40°C ~ +85°C. To ensure the functionality and reliability of the device, the maximum junction temperature  $T_{jmax}$  should not exceed 125°C. In some applications, the device will consume more power and a thermal solution should be provided to ensure the junction temperature  $T_j$  does not exceed the  $T_{jmax}$ .

### 7.1 JUNCTION TEMPERATURE

Junction temperature  $T_j$  is the temperature of package typically at the geographical center of the chip where the device's electrical circuits are. It can be calculated as follows:

$$\text{Equation 1: } T_j = T_A + P \times \theta_{JA}$$

Where:

$\theta_{JA}$  = Junction-to-Ambient Thermal Resistance of the Package

$T_j$  = Junction Temperature

$T_A$  = Ambient Temperature

$P$  = Device Power Consumption

In order to calculate junction temperature, an appropriate  $\theta_{JA}$  must be used. The  $\theta_{JA}$  is shown in [Table 15](#):

[Table 15](#) has the thermal results based on JEDEC standard conditions. It is industry practice and IDT practice to publish these results.

If the PCB design differs from the JEDEC standard conditions, then the thermal results will be different.

### 7.2 THERMAL RELEASE PATH

In order to maximize both the removal of heat from the package, electrical grounding from the package to the board can be done through thermal vias to effectively conduct from the surface of the PCB to the ground plane(s). The vias act as "heat pipes". The number of vias (i.e. "heat pipes") are application specific and dependent upon the package power dissipation as well as electrical conductivity requirements. Thus, thermal and electrical analysis and/or testing are recommended to determine the minimum number needed. It is recommended to use as many vias connected to ground as possible. It is also recommended that the via diameter should be 12 to 13mils (0.30 to 0.33mm) with 1oz copper via barrel plating. These recommendations are to be used as a guideline only.

Table 15: Thermal Data

| Parameter          | Symbol         | CONDITIONS                      | PKG    | Typ Values (°C/W) | Notes                  |
|--------------------|----------------|---------------------------------|--------|-------------------|------------------------|
| Thermal Resistance | $\theta_{JC}$  | Junction to Case                | BAG144 | 6.8               | JEDEC PCB (8x8 matrix) |
|                    | $\theta_{JB}$  | Junction to Base                |        | 16.2              |                        |
|                    | $\theta_{JA1}$ | Junction to Air, still air      |        | 34.8              |                        |
|                    | $\theta_{JA2}$ | Junction to Air, 1 m/s air flow |        | 28.8              |                        |
|                    | $\theta_{JA3}$ | Junction to Air, 2 m/s air flow |        | 26.7              |                        |
|                    | $\theta_{JA4}$ | Junction to Air, 3 m/s air flow |        | 25.7              |                        |

## 8 ELECTRICAL SPECIFICATIONS

### 8.1 ABSOLUTE MAXIMUM RATING

Table 16: Absolute Maximum Rating

| Symbol                                 | Parameter   | Min  | Max             | Unit |
|--|---|------|-----------------|------|
| $V_{DDA}, V_{DDAO}, V_{DDDO}, V_{DDD}$ | Supply Voltage $V_{DDA}, V_{DDAO}, V_{DDDO}, V_{DDD}$ | -0.5 | 3.6             | V    |
| $V_{DDD_{1-8}}$                        | Supply Voltage $V_{DDD_{1-8}}$                        | -0.5 | 1.98            | V    |
| $V_{INCMOS}$                           | Input Voltage (CMOS and Open drain pins)              | -0.5 | 5.5             | V    |
| $V_{INDIFF}$                           | Input Voltage (Differential pins)                     | -0.5 | $V_{DDD} + 0.5$ | V    |
| $V_{INAN}$                             | Input Voltage (Analog pins)                           | -0.5 | 2.2             | V    |
| $I_{OUTCONT}$                          | Output Current (Continuous current)                   |      | 50              | mA   |
| $I_{OUTSURGE}$                         | Output Current (Surge current)                        |      | 100             | mA   |
| $T_A$                                  | Ambient Operating Temperature Range                   | -40  | 85              | °C   |
| $T_{STOR}$                             | Storage Temperature                                   | -50  | 150             | °C   |

Note:  
 CDM Classification - Class III (JESD22 - C101)  
 HBM Classification - Class 2 (JS-001-2010)

### 8.2 RECOMMENDED OPERATION CONDITIONS

Table 17: Recommended Operation Conditions

| Symbol                                 | Parameter                                  | Min   | Typ    | Max    | Unit | Test Condition  |
|--|--|-------|--------|--------|------|---|
| $V_{DDA}, V_{DDAO}, V_{DDDO}, V_{DDD}$ | Power Supply (DC voltage)                  | 3.135 | 3.3    | 3.465  | V    |   |
| $V_{DDD_{1-8}}$                        | Power Supply (DC voltage) $V_{DDD_{1-8}}$  | 1.71  | 1.8    | 1.89   | V    |   |
| $T_A$                                  | Ambient Temperature Range                  | -40   |        | 85     | °C   |   |
| $I_{DDA}$                              | Analog Supply Current                      |       | 480.8  | 548.48 | mA   |   |
| $I_{DDD}$                              | Digital Supply Current ( $V_{DDD}$ )       |       | 41.90  | 62.05  | mA   |   |
| $I_{DDD_{1-8}}$                        | Digital Supply Current ( $V_{DDD_{1-8}}$ ) |       | 81.09  | 89.49  | mA   |   |
| $I_{DDDO}$                             | Digital Output Supply Current              |       | 45.18  | 64.77  | mA   | All outputs enabled   |
| $I_{DDAO}$                             | Analog Output Supply Current               |       | 168.46 | 220.96 | mA   | All outputs enabled, unloaded                                     |
|  | Analog Output Supply Current (loaded)      |       | 248.26 | 308.74 | mA   | All outputs enabled, 6 LVPECL outputs loaded with 150 ohms to GND |
| $P_{TOT}$                              | Total Power Dissipation                    |       | 2.58   | 3.29   | W    | All outputs enabled, excluding the loading                        |

## 8.3 I/O SPECIFICATIONS

### 8.3.1 CMOS INPUT / OUTPUT PORT

Table 18: CMOS Input Port Electrical Characteristics

| Parameter | Description        | Min | Typ | Max      | Unit    | Test Condition |
|-----------|--------------------|-----|-----|----------|---------|----------------|
| $V_{IH}$  | Input Voltage High | 2   |     |          | V       |                |
| $V_{IL}$  | Input Voltage Low  |     |     | 0.8      | V       |                |
| $I_{IN}$  | Input Current      |     |     | $\pm 10$ | $\mu A$ |                |

Table 19: CMOS Input Port with Internal Pull-Up Resistor Electrical Characteristics

| Parameter | Description                 | Min | Typ | Max       | Unit      | Test Condition  |
|-----------|-----------------------------|-----|-----|-----------|-----------|-----------------|
| $V_{IH}$  | Input Voltage High          | 2   |     |           | V         |                 |
| $V_{IL}$  | Input Voltage Low           |     |     | 0.8       | V         |                 |
| $P_U$     | Pull-Up Resistor            |     | 50  |           | $K\Omega$ | Except RSTB pin |
| $P_U$     | Pull-Up Resistor (RSTB pin) |     | 25  |           | $K\Omega$ |                 |
| $I_{IN}$  | Input Current               |     |     | $\pm 150$ | $\mu A$   |                 |

Table 20: CMOS Input Port with Internal Pull-Down Resistor Electrical Characteristics

| Parameter | Description        | Min | Typ | Max       | Unit      | Test Condition |
|-----------|--------------------|-----|-----|-----------|-----------|----------------|
| $V_{IH}$  | Input Voltage High | 2   |     |           | V         |                |
| $V_{IL}$  | Input Voltage Low  |     |     | 0.8       | V         |                |
| $P_D$     | Pull-Down Resistor |     | 50  |           | $K\Omega$ |                |
| $I_{IN}$  | Input Current      |     |     | $\pm 150$ | $\mu A$   |                |

Table 21: CMOS Output Port Electrical Characteristics

| Application Pin | Parameter | Description         | Min | Typ | Max | Unit | Test Condition             |
|-----------------|-----------|---------------------|-----|-----|-----|------|----------------------------|
| Output Clock    | $V_{OH}$  | Output Voltage High | 2.4 |     | VDD | V    | $I_{OH} = -4 \text{ mA}$   |
|                 | $V_{OL}$  | Output Voltage Low  |     |     | 0.4 | V    | $I_{OL} = 4 \text{ mA}$    |
|                 | $t_R$     | Rise time           |     | 2.2 |     | ns   | $C_{LOAD} = 15 \text{ pF}$ |
|                 | $t_F$     | Fall time           |     | 2.2 |     | ns   | $C_{LOAD} = 15 \text{ pF}$ |
| Other Output    | $V_{OH}$  | Output Voltage High | 2.4 |     |     | V    | $I_{OH} = -2 \text{ mA}$   |
|                 | $V_{OL}$  | Output Voltage Low  |     |     | 0.4 | V    | $I_{OL} = 2 \text{ mA}$    |
|                 | $t_R$     | Rise Time           |     | 7   | 20  | ns   | $C_{LOAD} = 50 \text{ pF}$ |
|                 | $t_F$     | Fall Time           |     | 7   | 20  | ns   | $C_{LOAD} = 50 \text{ pF}$ |

8.3.2 LVPECL / LVDS INPUT / OUTPUT PORT

8.3.2.1 PECL Input Port

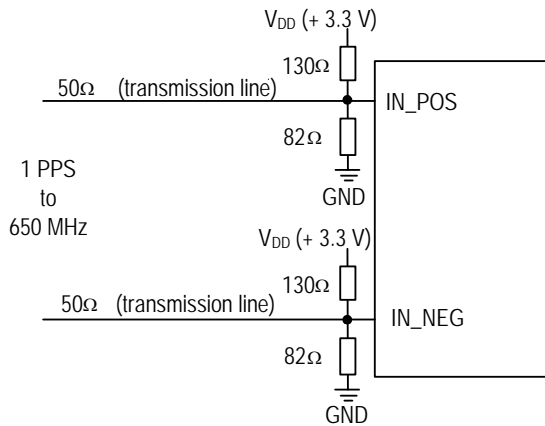


Figure 16. Recommended PECL Input Port Line Termination

Table 22: LVPECL Input Port Electrical Characteristics

| Parameter   | Description   | Min            | Typ             | Max            | Unit    | Test Condition |
|-------------|---|----------------|-----------------|----------------|---------|----------------|
| $V_{IL}$    | Input Low Voltage, Differential Inputs                          | $V_{DD} - 2.5$ | $V_{DD} - 1.5$  | $V_{DD} - 0.5$ | V       |                |
| $V_{IH}$    | Input High Voltage, Differential Inputs                         | $V_{DD} - 2.4$ | $V_{DD} - 1.4$  | $V_{DD} - 0.4$ | V       |                |
| $V_{ID}$    | Input Differential Voltage                                      | 0.1            | 0.7             | 1.4            | V       |                |
| $V_{IL\_S}$ | Input Low Voltage, Single-ended Input                           | VSS            | $V_{DD} - 1.95$ | $V_{DD} - 1.5$ | V       |                |
| $V_{IH\_S}$ | Input High Voltage, Single-ended Input                          | $V_{DD} - 1.3$ | $V_{DD} - 0.9$  | VDD            | V       |                |
| $I_{IH}$    | Input High Current, Input Differential Voltage $V_{ID} = 1.4$ V |                |                 | 10             | $\mu$ A |                |
| $I_{IL}$    | Input Low Current, Input Differential Voltage $V_{ID} = 1.4$ V  | -10            |                 |                | $\mu$ A |                |

Note:

1. Assuming a differential input voltage of at least 100 mV.
2. Unused differential input terminated to  $V_{DD} - 1.4$  V.

8.3.2.2 LVPECL Output Port

8.3.2.2.1 LVPECL Termination for 3.3 V

The clock layout topology shown below is a typical termination for LVPECL outputs. The two different layouts mentioned are recommended only as guidelines.

The differential outputs are low impedance follower outputs that generate ECL/LVPECL compatible outputs. Therefore, terminating resistors (DC current path to ground) or current sources must be used for func-

tionality. These outputs are designed to drive 50Ω transmission lines. Matched impedance techniques should be used to maximize operating frequency and minimize signal distortion. Figure 17 and Figure 18 show two different layouts which are recommended only as guidelines. Other suitable clock layouts may exist and it would be recommended that the board designers simulate to guarantee compatibility across all printed circuit and clock component process variations.

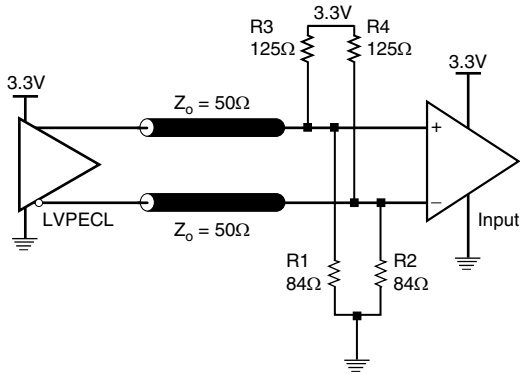


Figure 17. 3.3V LVPECL Output Termination

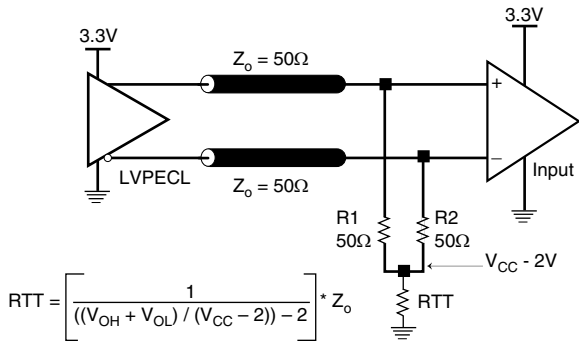


Figure 18. 3.3V LVPECL Output Termination

8.3.2.2.2 LVPECL Termination for 2.5 V

Figure 19 and Figure 20 show examples of termination for 2.5V LVPECL driver. These terminations are equivalent to terminating 50Ω to VCCO - 2V. For VCCO = 2.5V, the VCCO - 2V is very close to ground level. The R3 in Figure 20 can be eliminated and the termination is shown in Figure 21.

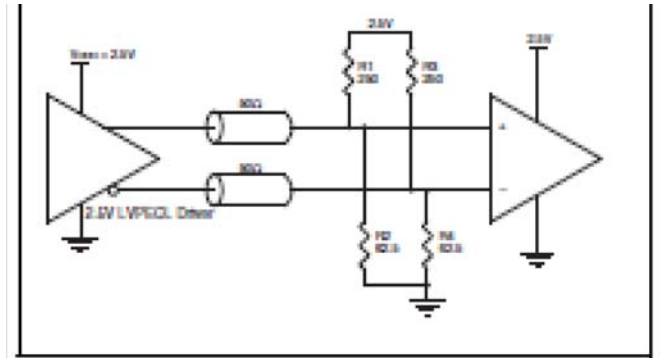


Figure 19. 2.5V LVPECL Output Termination

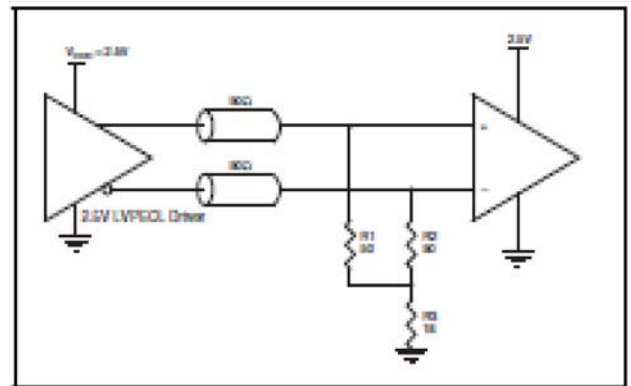


Figure 20. 2.5V LVPECL Output Termination

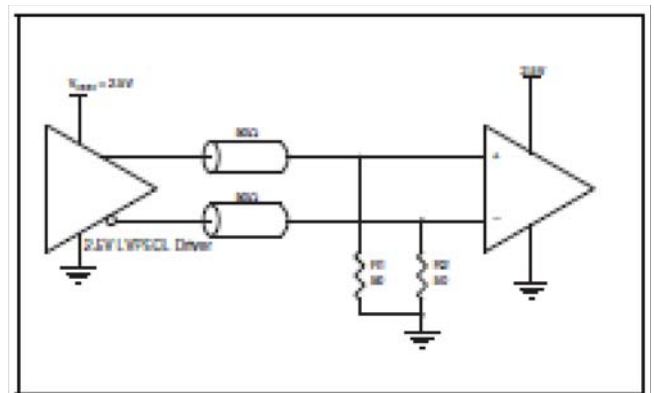


Figure 21. 2.5V LVPECL Output Termination

Table 23: LVPECL Output Port Electrical Characteristics

| Parameter           | Description                       | Min             | Typ | Max             | Unit | Test Condition |
|---------------------|-----------------------------------|-----------------|-----|-----------------|------|----------------|
| $V_{OH}$            | Output High Voltage; NOTE 1       | $V_{CC0} - 1.3$ |     | $V_{CC0} - 0.7$ | V    |                |
| $V_{OL}$            | Output Low Voltage; NOTE 1        | $V_{CC0} - 2.0$ |     | $V_{CC0} - 1.5$ | V    |                |
| $V_{SWING}$         | Peak-to-Peak Output Voltage Swing | 0.6             |     | 1.0             | V    |                |
| $t_{RISE}/t_{FALL}$ | Output Rise/Fall time             | 80              |     | 400             | ps   | 20% to 80%     |

NOTE 1: Outputs terminated with  $50\Omega$  to  $V_{CC0} - 2V$

8.3.3 LVDS INPUT / OUTPUT PORT

8.3.3.1 LVDS INPUT PORT

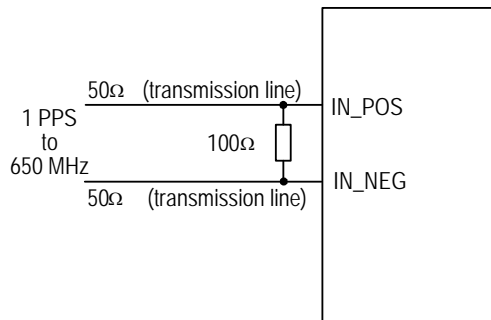


Figure 22. Recommended LVDS Input Port Line Termination

Table 24: LVDS Input Port Electrical Characteristics

| Parameter  | Description                                 | Min  | Typ  | Max  | Unit     | Test Condition |
|------------|---|------|------|------|----------|----------------|
| $V_{CM}$   | Input Common-mode Voltage Range             | 200  | 1200 | 2200 | mV       |                |
| $V_{DIFF}$ | Input Peak Differential Voltage             | 100  | 350  | 900  | mV       |                |
| $V_{IDTH}$ | Input Differential Threshold                | -100 |      | 100  | mV       |                |
| $R_{TERM}$ | External Differential Termination Impedance |      | 100  |      | $\Omega$ |                |

### 8.3.3.2 LVDS Output Port

#### LVDS Driver Termination

For a general LVDS interface, the recommended value for the termination impedance ( $Z_T$ ) is between  $90\Omega$  and  $132\Omega$ . The actual value should be selected to match the differential impedance ( $Z_O$ ) of your transmission line. A typical point-to-point LVDS design uses a  $100\Omega$  parallel resistor at the receiver and a  $100\Omega$  differential transmission-line environment. In order to avoid any transmission-line reflection issues, the components should be surface mounted and must be placed as close to the receiver as possible. IDT offers a full line of LVDS compliant devices with two types of output structures: current source and voltage

source. The standard termination schematic as shown at the top part of Figure 23 can be used with either type of output structure. The termination schematic shown at the bottom part of Figure 23, which can also be used with both output types, is an optional termination with center tap capacitance to help filter common mode noise. The capacitor value should be approximately  $50\text{pF}$ . If using a non-standard termination, it is recommended to contact IDT and confirm if the output structure is current source or voltage source type. In addition, since these outputs are LVDS compatible, the input receiver's amplitude and common-mode input range should be verified for compatibility with the output.

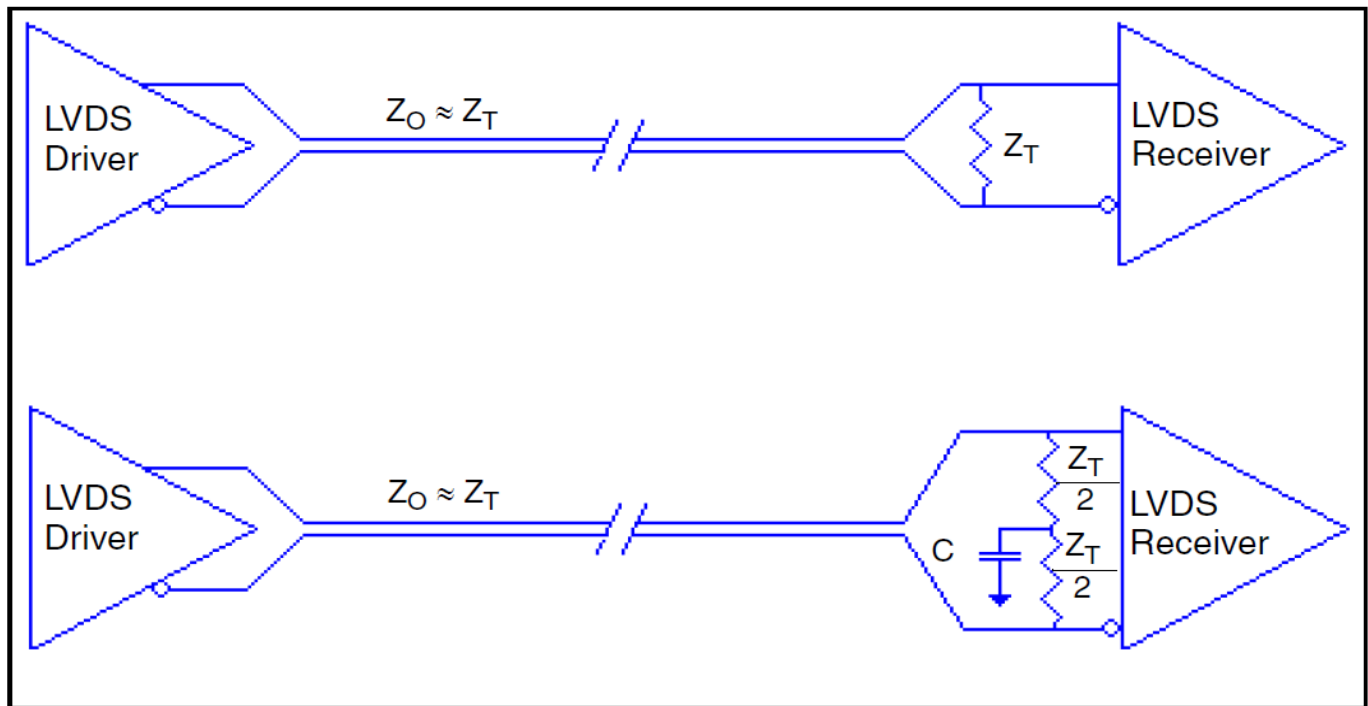


Figure 23. Recommended LVDS Output Port Line Termination

Table 25: LVDS Output Port Electrical Characteristics

| Parameter           | Description                 | Min   | Typ | Max   | Unit | Test Condition |
|---------------------|-----------------------------|-------|-----|-------|------|----------------|
| $V_{OD}$            | Differential Output Voltage | 247   |     | 454   | mV   |                |
| $\Delta V_{OD}$     | $V_{OD}$ Magnitude Change   |       |     | 50    | mV   |                |
| $V_{OS}$            | Offset Voltage              | 1.125 |     | 1.375 | V    |                |
| $\Delta V_{OS}$     | $V_{OS}$ Magnitude Change   |       |     | 50    | mV   |                |
| $t_{RISE}/t_{FALL}$ | Output Rise/Fall time       | 90    |     | 400   | ps   | 20% to 80%     |



### 8.3.4 OUTPUT CLOCK DUTY CYCLE

Table 26: Output Clock Duty Cycle (OUT1 - OUT9)

| Clock Output Frequency       | Min | Typ | Max | Unit | Test Condition |
|------------------------------|-----|-----|-----|------|----------------|
| $f_{OUT} < 570\text{MHz}$    | 45  |     | 55  | %    |                |
| $f_{OUT} \geq 570\text{MHz}$ | 35  |     | 65  | %    |                |

NOTE: Output Duty Cycle configured using APLL1 or APLL2.

Table 27: Output Clock Duty Cycle (OUT10 - OUT11)

| Clock Output Frequency       | Min | Typ | Max | Unit | Test Condition |
|------------------------------|-----|-----|-----|------|----------------|
| $f_{OUT} < 600\text{MHz}$    | 47  |     | 53  | %    |                |
| $f_{OUT} \geq 600\text{MHz}$ | 45  |     | 55  | %    |                |

8.3.5 WIRING THE DIFFERENTIAL INPUT TO ACCEPT SINGLE-ENDED LEVELS

Figure 24 shows how a differential input can be wired to accept single ended levels. The reference voltage  $V_{REF} = V_{CC}/2$  is generated by the bias resistors R1 and R2. The bypass capacitor (C1) is used to help filter noise on the DC bias. This bias circuit should be located as close to the input pin as possible. The ratio of R1 and R2 might need to be adjusted to position the  $V_{REF}$  in the center of the input voltage swing. For example, if the input clock swing is 2.5V and  $V_{CC} = 3.3V$ , R1 and R2 value should be adjusted to set  $V_{REF}$  at 1.25V. The values below are for when both the single ended swing and  $V_{CC}$  are at the same voltage. This configuration requires that the sum of the output impedance of the driver ( $R_o$ ) and the series resistance ( $R_s$ ) equals the transmission line impedance. In addition, matched termination at the input will attenuate the signal in half. This can be done in one of two ways.

First, R3 and R4 in parallel should equal the transmission line impedance. For most 50Ω applications, R3 and R4 can be 100Ω. The values of the resistors can be increased to reduce the loading for slower and weaker LVCMOS driver. When using single-ended signaling, the noise rejection benefits of differential signaling are reduced. Even though the differential input can handle full rail LVCMOS signaling, it is recommended that the amplitude be reduced. The datasheet specifies a lower differential amplitude, however this only applies to differential signals. For single-ended applications, the swing can be larger, however  $V_{IL}$  cannot be less than -0.3V and  $V_{IH}$  cannot be more than  $V_{CC} + 0.3V$ . Suggest edge rate faster than 1V/ns. Though some of the recommended components might not be used, the pads should be placed in the layout. They can be utilized for debugging purposes. The data-sheet specifications are characterized and guaranteed by using a differential signal.

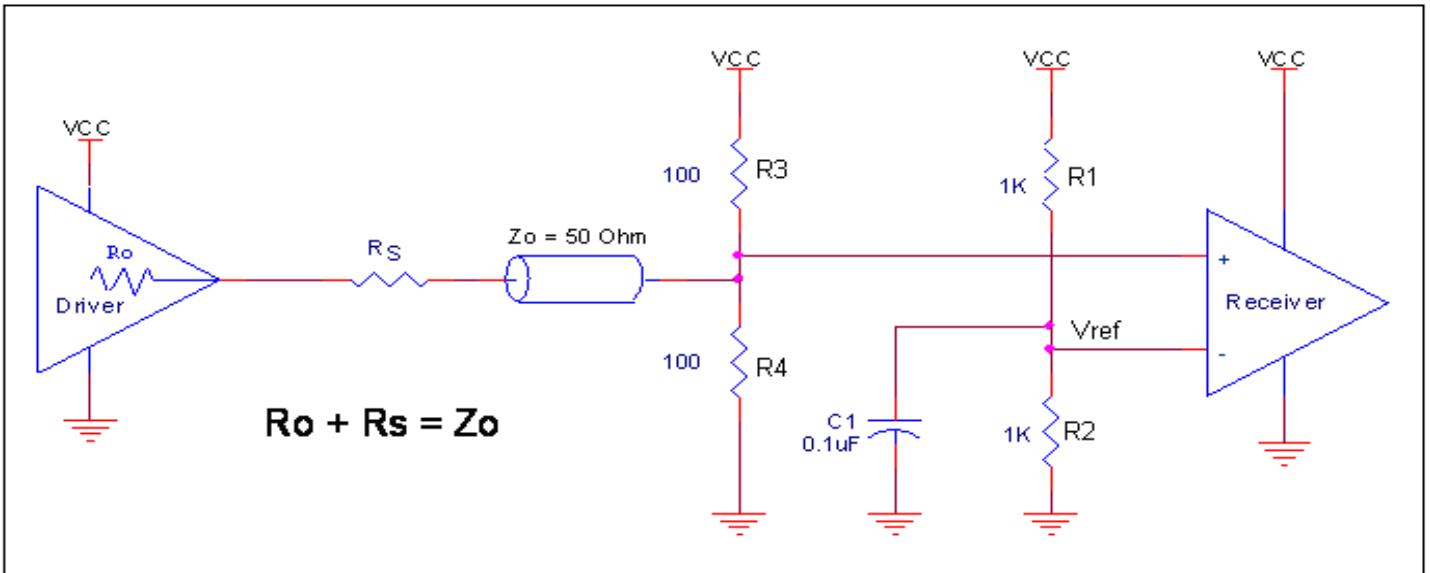


Figure 24. Recommended Schematic for Wiring a Differential Input to Accept Single-ended Levels

$$V_{th} = V_{CC} * [R2 / (R1 + R2)]$$

For the example in Figure 24,  $R1 = R2$ , so  $V_{th} = V_{CC} / 2 = 1.65 V$

The suggested single-ended signal input:

$$V_{IHmax} = V_{CC}$$

$$V_{ILmin} = 0 V$$

$$V_{swing} = 0.6 V \sim V_{CC}$$

$$DC \text{ offset (Swing Center)} = V_{th} / 2 \pm V_{swing} * 10\%$$

## 8.4 JITTER PERFORMANCE

Table 28: Gigabit Ethernet Output Clock Jitter Generation  
(jitter measured on one differential output of APLL3 with all other outputs disabled)

| Output Frequency | RMS Jitter Typ (ps) | RMS Jitter Max (ps) | Test Filter        | Notes  |
|------------------|---------------------|---------------------|--------------------|--|
| 25 MHz           | 0.26                | 0.32                | 2.5 kHz - 5 MHz    | ITU-T G.8262 limit 0.5 UI p-p (1 UI = 0.8 ns)                        |
|                  | 0.26                | 0.31                | 10 kHz - 5 MHz     | IDT Target Test Filter for 10GbE                                     |
|                  | 0.19                | 0.24                | 637 kHz - 5 MHz    | IEEE 802.3-2008 limit 0.24 UI p-p / 0.0174 UI RMS (1 UI = 0.8 ns)    |
|                  | 0.20                | 0.23                | 10 kHz - 1 MHz     |  |
| 125MHz           | 0.24                | 0.30                | 2.5 kHz to 10 MHz  | ITU-T G.8262 limit 0.5 UI p-p (1 UI = 0.8 ns)                        |
|                  | 0.25                | 0.31                | 10 kHz - 20 MHz    | IDT Target Test Filter for 10GbE                                     |
|                  | 0.15                | 0.19                | 637 kHz - 10 MHz   | IEEE 802.3-2008 limit 0.24 UI p-p / 0.0174 UI RMS (1 UI = 0.8 ns)    |
|                  | 0.22                | 0.39                | 1 kHz - 1 MHz      |  |
|                  | 0.20                | 0.23                | 10 kHz - 1 MHz     |  |
| 156.25MHz        | 0.24                | 0.29                | 10 kHz - 20 MHz    | IDT Target Test Filter for 10GbE                                     |
|                  | 0.25                | 0.30                | 20 kHz - 40 MHz    | ITU-T G.8262 limit 0.5 UI p-p (1 UI = 100.47 ps)                     |
|                  | 0.14                | 0.19                | 1 MHz - 30 MHz     |  |
|                  | 0.10                | 0.12                | 1.875 MHz - 20 MHz | IEEE 802.3-2008 limit 0.28 UI p-p / 0.0203 UI RMS (1 UI = 100.47 ps) |
|                  | 0.22                | 0.39                | 1 kHz - 1 MHz      |  |
|                  | 0.20                | 0.23                | 10 kHz - 1 MHz     |  |

**Table 28: Gigabit Ethernet Output Clock Jitter Generation**  
(jitter measured on one differential output of APLL3 with all other outputs disabled)

| Output Frequency   | RMS Jitter Typ (ps) | RMS Jitter Max (ps) | Test Filter        | Notes   |
|--|---------------------|---------------------|--------------------|---|
| 625MHz   | 0.23                | 0.28                | 10 kHz - 20 MHz    | IDT Target Test Filter for 10GbE  |
|  | 0.25                | 0.31                | 20 kHz - 80 MHz    | ITU-T G.8262 limit 0.5 UI p-p<br>(1 UI = 100.47 ps)<br>ITU-T G.8262 limit 1.2 UI p-p<br>(1 UI = 38.79 ps) |
|  | 0.12                | 0.16                | 1 MHz - 30 MHz     |   |
|  | 0.07                | 0.09                | 1.875 MHz - 20 MHz | IEEE 802.3-2008<br>limit 0.28 UI p-p /<br>0.0203 UI RMS<br>(1 UI = 100.47 ps)                             |
|  | 0.22                | 0.38                | 1 kHz - 1 MHz      |   |
|  | 0.21                | 0.24                | 10 kHz - 1 MHz     |   |
| NOTE 1: DPLL locked to input clock<br>NOTE 2: For BER = 10 <sup>-12</sup> , RMS jitter = p-p jitter/13.8 per IEEE 802.3-2008 and IEEE 802.3ae-2002 section 48B.3.1.3.1 |                     |                     |                    |   |

**Table 29: Gigabit Ethernet Output Clock Jitter Generation**  
(jitter measured on one differential output of APLL1/2 with one differential output enabled)

| Output Frequency | RMS Jitter Typ (ps) | RMS Jitter Max (ps) | Test Filter       | Notes  |
|------------------|---------------------|---------------------|-------------------|--|
| 25 MHz           | 0.71                | 1.31                | 2.5 kHz - 5 MHz   | ITU-T G.8262<br>limit 0.5 UI p-p<br>(1 UI = 0.8 ns)                        |
|                  | 0.57                | 0.84                | 12 kHz - 5 MHz    |  |
|                  | 0.28                | 0.42                | 637 kHz - 5 MHz   | IEEE 802.3-2008<br>limit 0.24 UI p-p /<br>0.0174 UI RMS<br>(1 UI = 0.8 ns) |
| 125MHz           | 0.72                | 1.40                | 2.5 kHz to 10 MHz | ITU-T G.8262<br>limit 0.5 UI p-p<br>(1 UI = 0.8 ns)                        |
|                  | 0.58                | 0.86                | 12 kHz - 20 MHz   |  |
|                  | 0.20                | 0.29                | 637 kHz - 10 MHz  | IEEE 802.3-2008<br>limit 0.24 UI p-p /<br>0.0174 UI RMS<br>(1 UI = 0.8 ns) |

**Table 29: Gigabit Ethernet Output Clock Jitter Generation**  
(jitter measured on one differential output of APLL1/2 with one differential output enabled)

| Output Frequency   | RMS Jitter Typ (ps) | RMS Jitter Max (ps) | Test Filter        | Notes  |
|--|---------------------|---------------------|--------------------|--|
| 156.25MHz  | 0.56                | 0.85                | 12 kHz - 20 MHz    |  |
|  | 0.52                | 0.99                | 20 kHz - 40 MHz    | ITU-T G.8262 limit 0.5 UI p-p (1 UI = 100.47 ps)                     |
|  | 0.23                | 0.30                | 1 MHz - 30 MHz     |  |
|  | 0.16                | 0.22                | 1.875 MHz - 20 MHz | IEEE 802.3-2008 limit 0.28 UI p-p / 0.0203 UI RMS (1 UI = 100.47 ps) |
| NOTE 1: DPLL locked to input clock<br>NOTE 2: For BER = 10 <sup>-12</sup> , RMS jitter = p-p jitter/13.8 per IEEE 802.3-2008 and IEEE 802.3ae-2002 section 48B.3.1.3.1 |                     |                     |                    |  |

**Table 30: Gigabit Ethernet Output Clock Jitter Generation**  
(Jitter measured on one CMOS output of APLL1/2 with one CMOS output enabled)

| Output Frequency   | RMS Jitter Typ (ps) | RMS Jitter Max (ps) | Test Filter       | Notes   |
|--|---------------------|---------------------|-------------------|---|
| 25 MHz   | 0.71                | 1.26                | 2.5 kHz - 5 MHz   | ITU-T G.8262 limit 0.5 UI p-p (1 UI = 0.8 ns)                     |
|  | 0.55                | 0.83                | 12 kHz - 5 MHz    |   |
|  | 0.23                | 0.30                | 637 kHz - 5 MHz   | IEEE 802.3-2008 limit 0.24 UI p-p / 0.0174 UI RMS (1 UI = 0.8 ns) |
| 125MHz   | 0.78                | 2.32                | 2.5 kHz to 10 MHz | ITU-T G.8262 limit 0.5 UI p-p (1 UI = 0.8 ns)                     |
|  | 0.62                | 0.94                | 12 kHz - 20 MHz   |   |
|  | 0.21                | 0.31                | 637 kHz - 10 MHz  | IEEE 802.3-2008 limit 0.24 UI p-p / 0.0174 UI RMS (1 UI = 0.8 ns) |
| NOTE 1: DPLL locked to input clock<br>NOTE 2: For BER = 10 <sup>-12</sup> , RMS jitter = p-p jitter/13.8 per IEEE 802.3-2008 and IEEE 802.3ae-2002 section 48B.3.1.3.1 |                     |                     |                   |   |

**Table 31: Gigabit Ethernet LAN Output Clock Jitter Generation**  
(jitter measured on one differential output of APLL3 with all other outputs disabled)

| Output Frequency | RMS Jitter Typ (ps) | RMS Jitter Max (ps) | Test Filter        | Notes   |
|------------------|---------------------|---------------------|--------------------|---|
| 161.1328125 MHz  | 0.23                | 0.27                | 10 kHz - 20 MHz    | IDT Target Test Filter for 10GbE                                    |
|                  | 0.25                | 0.29                | 20 kHz - 40 MHz    | ITU-T G.8262 limit 0.5 UI p-p (1 UI = 96.97 ps)                     |
|                  | 0.14                | 0.19                | 1 MHz - 30 MHz     |   |
|                  | 0.09                | 0.12                | 1.875 MHz - 20 MHz | IEEE 802.3-2008 limit 0.28 UI p-p / 0.0203 UI RMS (1 UI = 96.97 ps) |
|                  | 0.20                | 0.22                | 10 kHz - 1 MHz     |   |
| 322.265625 MHz   | 0.23                | 0.26                | 10 kHz - 20 MHz    | IDT Target Test Filter for 10GbE                                    |
|                  | 0.25                | 0.30                | 20 kHz - 80 MHz    | ITU-T G.8262 limit 0.5 UI p-p (1 UI = 96.97 ps)                     |
|                  | 0.13                | 0.16                | 1 MHz - 30 MHz     |   |
|                  | 0.07                | 0.10                | 1.875 MHz - 20 MHz | IEEE 802.3-2008 limit 0.28 UI p-p / 0.0203 UI RMS (1 UI = 96.97 ps) |
|                  | 0.20                | 0.22                | 10 kHz - 1 MHz     |   |
| 644.53125 MHz    | 0.23                | 0.27                | 10 kHz - 20 MHz    | IDT Target Test Filter for 10GbE                                    |
|                  | 0.24                | 0.28                | 20 kHz - 80 MHz    | ITU-T G.8262 limit 0.5 UI p-p (1 UI = 96.97 ps)                     |
|                  | 0.12                | 0.15                | 1 MHz - 30 MHz     |   |
|                  | 0.07                | 0.09                | 1.875 MHz - 20 MHz | IEEE 802.3-2008 limit 0.28 UI p-p / 0.0203 UI RMS (1 UI = 96.97 ps) |
|                  | 0.20                | 0.23                | 10 kHz - 1 MHz     |   |

NOTE 1: DPLL locked to input clock

NOTE 2: For BER = 10<sup>-12</sup>, RMS jitter = p-p jitter/13.8 per IEEE 802.3-2008 and IEEE 802.3ae-2002 section 48B.3.1.3.1

**Table 32: SONET/SDH Output Clock Jitter Generation**  
(jitter measured on one differential output of APLL3 with all other outputs disabled)

| Output Frequency | RMS Jitter Typ (ps) | RMS Jitter Max (ps) | Test Filter       | Notes  |
|------------------|---------------------|---------------------|-------------------|--|
| 77.76 MHz        | 0.25                | 0.28                | 12 kHz to 20 MHz  | GR-253-CORE and ITU-T G.813 Option 2<br>limit 0.1 UI p-p /<br>0.01 UI RMS<br>(STM-16: 1UI = 0.40 ns) |
|                  | 0.29                | 1.61                | 500 Hz to 1.3 MHz | ITU-T G.813 Option 1<br>limit 0.5 UI p-p<br>(STM-1: 1 UI = 6.43 ns)                                  |
|                  | 0.27                | 0.46                | 1 kHz to 5 MHz    | ITU-T G.813 Option 1<br>limit 0.5 UI p-p<br>(STM-4: 1 UI = 1.61 ns)                                  |
|                  | 0.19                | 0.21                | 65 kHz to 1.3 MHz | ITU-T G.813 Option 1<br>limit 0.1 UI p-p<br>(STM-1: 1 UI = 6.43 ns)                                  |
|                  | 0.18                | 0.21                | 250 kHz to 5 MHz  | ITU-T G.813 Option 1<br>limit 0.1 UI p-p<br>(STM-4: 1 UI = 1.61 ns)                                  |
| 155.52MHz        | 0.23                | 0.26                | 12 kHz to 20 MHz  | GR-253-CORE and ITU-T G.813 Option 2<br>limit 0.1 UI p-p /<br>0.01 UI RMS<br>(STM-16: 1UI = 0.40 ns) |
|                  | 0.29                | 1.90                | 500 Hz to 1.3 MHz | ITU-T G.813 Option 1<br>limit 0.5 UI p-p<br>(STM-1: 1 UI = 6.43 ns)                                  |
|                  | 0.27                | 0.38                | 1 kHz to 5 MHz    | ITU-T G.813 Option 1<br>limit 0.5 UI p-p<br>(STM-4: 1 UI = 1.61 ns)                                  |
|                  | 0.24                | 0.28                | 5 kHz to 20 MHz   | ITU-T G.813 Option 1<br>limit 0.5 UI p-p<br>(STM-16: 1UI = 0.40 ns)                                  |
|                  | 0.19                | 0.22                | 65 kHz to 1.3 MHz | ITU-T G.813 Option 1<br>limit 0.1 UI p-p<br>(STM-1: 1 UI = 6.43 ns)                                  |
|                  | 0.18                | 0.21                | 250 kHz to 5 MHz  | ITU-T G.813 Option 1<br>limit 0.1 UI p-p<br>(STM-4: 1 UI = 1.61 ns)                                  |
|                  | 0.13                | 0.15                | 1 MHz to 20 MHz   | ITU-T G.813 Option 1<br>limit 0.1 UI p-p<br>(STM-16: 1UI = 0.40 ns)                                  |

Table 32: SONET/SDH Output Clock Jitter Generation  
(jitter measured on one differential output of APLL3 with all other outputs disabled)

| Output Frequency | RMS Jitter Typ (ps) | RMS Jitter Max (ps) | Test Filter       | Notes  |
|------------------|---------------------|---------------------|-------------------|--|
| 311.04 MHz       | 0.23                | 0.26                | 12 kHz to 20 MHz  | GR-253-CORE and ITU-T G.813 Option 2<br>limit 0.1 UI p-p /<br>0.01 UI RMS<br>(STM-16: 1UI = 0.40 ns)   |
|                  | 0.26                | 0.30                | 20kHz to 80 MHz   | GR-253-CORE and ITU-T G.813 Option 2<br>limit 0.3 UI p-p<br>(STM-64: 1 UI = 0.10 ns)<br><br>ITU-T G.813 Option 1<br>limit 0.5 UI p-p<br>(STM-64: 1 UI = 0.10 ns) |
|                  | 0.14                | 0.19                | 4 MHz to 80 MHz   | GR-253-CORE and ITU-T G.813 Option 2<br>limit 0.1 UI p-p<br>(STM-64: 1 UI = 0.10 ns)<br><br>ITU-T G.813 Option 1<br>limit 0.1 UI p-p<br>(STM-64: 1 UI = 0.10 ns) |
|                  | 0.30                | 1.77                | 500 Hz to 1.3 MHz | ITU-T G.813 Option 1<br>limit 0.5 UI p-p<br>(STM-1: 1 UI = 6.43 ns)  |
|                  | 0.27                | 0.41                | 1 kHz to 5 MHz    | ITU-T G.813 Option 1<br>limit 0.5 UI p-p<br>(STM-4: 1 UI = 1.61 ns)  |
|                  | 0.23                | 0.27                | 5 kHz to 20 MHz   | ITU-T G.813 Option 1<br>limit 0.5 UI p-p<br>(STM-16: 1UI = 0.40 ns)  |
|                  | 0.19                | 0.22                | 65 kHz to 1.3 MHz | ITU-T G.813 Option 1<br>limit 0.1 UI p-p<br>(STM-1: 1 UI = 6.43 ns)  |
|                  | 0.18                | 0.21                | 250 kHz to 5 MHz  | ITU-T G.813 Option 1<br>limit 0.1 UI p-p<br>(STM-4: 1 UI = 1.61 ns)  |
|                  | 0.11                | 0.14                | 1 MHz to 20 MHz   | ITU-T G.813 Option 1<br>limit 0.1 UI p-p<br>(STM-16: 1UI = 0.40 ns)  |



**Table 32: SONET/SDH Output Clock Jitter Generation**  
(jitter measured on one differential output of APLL3 with all other outputs disabled)

| Output Frequency | RMS Jitter Typ (ps)                | RMS Jitter Max (ps) | Test Filter       | Notes  |
|------------------|------------------------------------|---------------------|-------------------|--|
| 622.08 MHz       | 0.23                               | 0.26                | 12 kHz to 20 MHz  | GR-253-CORE and ITU-T G.813 Option 2<br>limit 0.1 UI p-p /<br>0.01 UI RMS<br>(STM-16: 1UI = 0.40 ns)   |
|                  | 0.25                               | 0.29                | 20kHz to 80 MHz   | GR-253-CORE and ITU-T G.813 Option 2<br>limit 0.3 UI p-p<br>(STM-64: 1 UI = 0.10 ns)<br><br>ITU-T G.813 Option 1<br>limit 0.5 UI p-p<br>(STM-64: 1 UI = 0.10 ns) |
|                  | 0.10                               | 0.14                | 4 MHz to 80 MHz   | GR-253-CORE and ITU-T G.813 Option 2<br>limit 0.1 UI p-p<br>(STM-64: 1 UI = 0.10 ns)<br><br>ITU-T G.813 Option 1<br>limit 0.1 UI p-p<br>(STM-64: 1 UI = 0.10 ns) |
|                  | 0.30                               | 1.41                | 500 Hz to 1.3 MHz | ITU-T G.813 Option 1<br>limit 0.5 UI p-p<br>(STM-1: 1 UI = 6.43 ns)  |
|                  | 0.28                               | 0.51                | 1 kHz to 5 MHz    | ITU-T G.813 Option 1<br>limit 0.5 UI p-p<br>(STM-4: 1 UI = 1.61 ns)  |
|                  | 0.23                               | 0.28                | 5 kHz to 20 MHz   | ITU-T G.813 Option 1<br>limit 0.5 UI p-p<br>(STM-16: 1UI = 0.40 ns)  |
|                  | 0.20                               | 0.23                | 65 kHz to 1.3 MHz | ITU-T G.813 Option 1<br>limit 0.1 UI p-p<br>(STM-1: 1 UI = 6.43 ns)  |
|                  | 0.19                               | 0.22                | 250 kHz to 5 MHz  | ITU-T G.813 Option 1<br>limit 0.1 UI p-p<br>(STM-4: 1 UI = 1.61 ns)  |
|                  | 0.11                               | 0.13                | 1 MHz to 20 MHz   | ITU-T G.813 Option 1<br>limit 0.1 UI p-p<br>(STM-16: 1UI = 0.40 ns)  |
|                  | NOTE 1: DPLL locked to input clock |                     |                   |  |

**Table 33: SONET/SDH Output Clock Jitter Generation**  
(jitter measured on one differential output of APLL1/2 with one differential output enabled)

| Output Frequency | RMS Jitter Typ (ps) | RMS Jitter Max (ps) | Test Filter       | Notes   |
|------------------|---------------------|---------------------|-------------------|---|
| 19.44 MHz        | 0.53                | 0.79                | 12 kHz to 1.3MHz  | GR-253-CORE and ITU-T G.813 Option 2 limit 0.1 UI p-p / 0.01 UI RMS (STM-16: 1UI = 0.40 ns) |
|                  | 0.62                | 0.90                | 12kHz to 5MHz     | ITU-T G.813 Option 1 limit 0.5 UI p-p (STM-1: 1 UI = 6.43 ns)                               |
|                  | 0.85                | 1.41                | 500 Hz to 1.3 MHz | ITU-T G.813 Option 1 limit 0.5 UI p-p (STM-4: 1 UI = 1.61 ns)                               |
|                  | 0.86                | 1.39                | 1 kHz to 5 MHz    | ITU-T G.813 Option 1 limit 0.1 UI p-p (STM-1: 1 UI = 6.43 ns)                               |
|                  | 0.33                | 0.46                | 65 kHz to 1.3 MHz | ITU-T G.813 Option 1 limit 0.1 UI p-p (STM-4: 1 UI = 1.61 ns)                               |
|                  | 0.40                | 0.60                | 250 kHz to 5 MHz  | ITU-T G.813 Option 1 limit 0.1 UI p-p (STM-4: 1 UI = 1.61 ns)                               |
| 77.76 MHz        | 0.58                | 1.35                | 12 kHz to 20 MHz  | GR-253-CORE and ITU-T G.813 Option 2 limit 0.1 UI p-p / 0.01 UI RMS (STM-16: 1UI = 0.40 ns) |
|                  | 0.87                | 1.45                | 500 Hz to 1.3 MHz | ITU-T G.813 Option 1 limit 0.5 UI p-p (STM-1: 1 UI = 6.43 ns)                               |
|                  | 0.82                | 1.38                | 1 kHz to 5 MHz    | ITU-T G.813 Option 1 limit 0.5 UI p-p (STM-4: 1 UI = 1.61 ns)                               |
|                  | 0.29                | 0.40                | 65 kHz to 1.3 MHz | ITU-T G.813 Option 1 limit 0.1 UI p-p (STM-1: 1 UI = 6.43 ns)                               |
|                  | 0.22                | 0.31                | 250 kHz to 5 MHz  | ITU-T G.813 Option 1 limit 0.1 UI p-p (STM-4: 1 UI = 1.61 ns)                               |

**Table 33: SONET/SDH Output Clock Jitter Generation**  
(jitter measured on one differential output of APLL1/2 with one differential output enabled)

| Output Frequency                   | RMS Jitter Typ (ps) | RMS Jitter Max (ps) | Test Filter       | Notes   |
|------------------------------------|---------------------|---------------------|-------------------|---|
| 155.52 MHz                         | 0.55                | 0.82                | 12 kHz to 20 MHz  | GR-253-CORE and ITU-T G.813 Option 2 limit 0.1 UI p-p / 0.01 UI RMS (STM-16: 1UI = 0.40 ns) |
|                                    | 0.87                | 1.52                | 500 Hz to 1.3 MHz | ITU-T G.813 Option 1 limit 0.5 UI p-p (STM-1: 1 UI = 6.43 ns)                               |
|                                    | 0.81                | 1.43                | 1 kHz to 5 MHz    | ITU-T G.813 Option 1 limit 0.5 UI p-p (STM-4: 1 UI = 1.61 ns)                               |
|                                    | 0.65                | 1.03                | 5 kHz to 20 MHz   | ITU-T G.813 Option 1 limit 0.5 UI p-p (STM-16: 1UI = 0.40 ns)                               |
|                                    | 0.29                | 0.41                | 65 kHz to 1.3 MHz | ITU-T G.813 Option 1 limit 0.1 UI p-p (STM-1: 1 UI = 6.43 ns)                               |
|                                    | 0.21                | 0.30                | 250 kHz to 5 MHz  | ITU-T G.813 Option 1 limit 0.1 UI p-p (STM-4: 1 UI = 1.61 ns)                               |
|                                    | 0.20                | 0.26                | 1 MHz to 20 MHz   | ITU-T G.813 Option 1 limit 0.1 UI p-p (STM-16: 1UI = 0.40 ns)                               |
| NOTE 1: DPLL locked to input clock |                     |                     |                   |   |

**Table 34: SONET/SDH Output Clock Jitter Generation**  
(jitter measured on one CMOS output of APLL1/2 with one CMOS output enabled)

| Output Frequency                   | RMS Jitter Typ (ps) | RMS Jitter Max (ps) | Test Filter       | Notes  |
|------------------------------------|---------------------|---------------------|-------------------|--|
| 19.44 MHz                          | 0.50                | 0.75                | 12 kHz to 1.3MHz  | GR-253-CORE and ITU-T G.813 Option 2<br>limit 0.1 UI p-p /<br>0.01 UI RMS<br>(STM-16: 1UI = 0.40 ns) |
|                                    | 0.55                | 0.78                | 12kHz to 5MHz     | ITU-T G.813 Option 1<br>limit 0.5 UI p-p<br>(STM-1: 1 UI = 6.43 ns)                                  |
|                                    | 0.83                | 2.31                | 500 Hz to 1.3 MHz | ITU-T G.813 Option 1<br>limit 0.5 UI p-p<br>(STM-4: 1 UI = 1.61 ns)                                  |
|                                    | 0.80                | 2.27                | 1 kHz to 5 MHz    | ITU-T G.813 Option 1<br>limit 0.1 UI p-p<br>(STM-1: 1 UI = 6.43 ns)                                  |
|                                    | 0.29                | 0.54                | 65 kHz to 1.3 MHz | ITU-T G.813 Option 1<br>limit 0.1 UI p-p<br>(STM-4: 1 UI = 1.61 ns)                                  |
|                                    | 0.28                | 0.40                | 250 kHz to 5 MHz  | ITU-T G.813 Option 1<br>limit 0.1 UI p-p<br>(STM-4: 1 UI = 1.61 ns)                                  |
| 77.76 MHz                          | 0.58                | 0.91                | 12 kHz to 20 MHz  | GR-253-CORE and ITU-T G.813 Option 2<br>limit 0.1 UI p-p<br>(STM-4: 1 UI = 1.61 ns)                  |
|                                    | 0.87                | 2.39                | 500 Hz to 1.3 MHz | ITU-T G.813 Option 1<br>limit 0.5 UI p-p<br>(STM-1: 1 UI = 6.43 ns)                                  |
|                                    | 0.82                | 2.10                | 1 kHz to 5 MHz    | ITU-T G.813 Option 1<br>limit 0.5 UI p-p<br>(STM-4: 1 UI = 1.61 ns)                                  |
|                                    | 0.29                | 0.42                | 65 kHz to 1.3 MHz | ITU-T G.813 Option 1<br>limit 0.1 UI p-p<br>(STM-1: 1 UI = 6.43 ns)                                  |
|                                    | 0.22                | 0.37                | 250 kHz to 5 MHz  | ITU-T G.813 Option 1<br>limit 0.1 UI p-p<br>(STM-4: 1 UI = 1.61 ns)                                  |
| NOTE 1: DPLL locked to input clock |                     |                     |                   |  |

**Table 35: DPLL1/DPLL2 Output Clock Jitter Generation**  
(Jitter measured on one CMOS output of DPLL1/DPLL2 with all other outputs disabled)

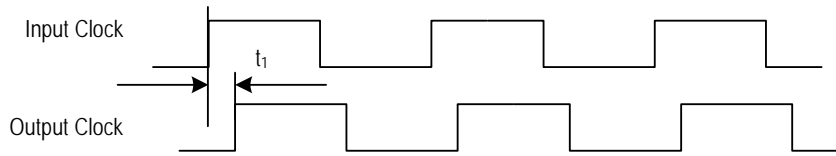
| Output Frequency  | RMS Jitter Typ (ps) | RMS Jitter Max (ps) | Test Filter      | Notes   |
|---|---------------------|---------------------|------------------|---|
| 10 MHz  | 100.11              | 619.64              | 100 Hz - 100 kHz |   |
| N x 1.544 MHz<br>(Note 2)   | 100.63              | 543.45              | 100 Hz - 40 kHz  |   |
|   | 16.06               | 39.94               | 8 kHz - 40 kHz   | ANSI T1.403<br>limit 0.07 UI p-p<br>(DS1: 1 UI = 647 ns)  |
| N x 2.048 MHz<br>(Note 3)   | 99.42               | 449.83              | 100 Hz - 100 kHz |   |
|   | 10.66               | 26.44               | 18 kHz - 100 kHz | ITU-T G.823<br>limit 0.2 UI p-p<br>(E1: 1 UI = 488 ns)    |
| 34.368 MHz  | 101.67              | 202.75              | 100 Hz - 800 kHz |   |
|   | 25.62               | 39.06               | 10 kHz - 800 kHz | ITU-T G.751<br>limit 0.05 UI p-p<br>(E3: 1 UI = 29.10 ns) |
| 44.736 MHz  | 105.16              | 198.15              | 100 Hz - 400 kHz |   |
|   | 20.77               | 27.44               | 30 kHz - 400 kHz |   |
| NOTE 1: DPLL1/2 locked to input clock<br>NOTE 2: Measured on 12.352 MHz output clock<br>NOTE 3: Measured on 16.384 MHz output clock |                     |                     |                  |   |

**Table 36: DPLL3 Output Clock Jitter Generation**  
(Jitter measured on one CMOS output of DPLL3 with all other outputs disabled)

| Output Frequency  | RMS Jitter Typ (ps) | RMS Jitter Max (ps) | Test Filter      | Notes  |
|---|---------------------|---------------------|------------------|--|
| N x 2.048 MHz<br>Note 2   | 147.325             | 347.530             | 100 Hz - 100 kHz |  |
|   | 8.02                | 17.24               | 18 kHz - 100 kHz | ITU-T G.823<br>limit 0.2 UI p-p<br>(E1: 1 UI = 488 ns)   |
| N x 1.544 MHz<br>Note 3   | 133.88              | 303.43              | 100 Hz - 40 kHz  |  |
|   | 0.80                | 1.47                | 8 kHz - 40 kHz   | ANSI T1.403<br>limit 0.07 UI p-p<br>(DS1: 1 UI = 647 ns) |
| NOTE 1: DPLL3 locked to input clock<br>NOTE 2: Measured on 12.288 MHz output clock<br>NOTE 3: Measured on 12.352 MHz output clock |                     |                     |                  |  |

## 8.5 INPUT / OUTPUT CLOCK TIMING

The inputs and outputs are aligned ideally. But due to the circuit delays, there is delay between the inputs and outputs.



**Figure 25. Input / output clock timing**

**Table 37: Input-to-Output Delay via APLL1/2**

| Output  | $t_1$ Min (ns) | $t_1$ Max (ns) | $t_1$ Range (ns <sub>pp</sub> ) |
|---|----------------|----------------|---------------------------------|
| Any LVCMOS Input to any of OUT01, OUT02 or OUT07            | 13             | 19             | 6<br>(±3 around mean)           |
| Any LVPECL/LVDS Input to any of OUT03, OUT04, OUT5 or OUT06 | 11.5           | 16.5           | 5<br>(±2.5 around mean)         |
| Any Input to any APLL1/2 Output                             | 10             | 19             | 9<br>(±4.5 around mean)         |
| Any Input to [M]FRSYNC Output                               | 0              | 8              | 8<br>(typical value is 2.5ns)   |

NOTE 1. The measurements in the above table takes into account any delays in the clock path from any input to any output; through either DPLL1 or DPLL2 and the either APLL1 or APLL2.

NOTE 2. The measurements in the above table are over operational temperature, varying power supply and repeated power on/off cycle.

NOTE 3. Measurements are taken using an ideal REF input and an ideal System clock to account for only internal delays in the device.

8.6 OUTPUT / OUTPUT CLOCK TIMING

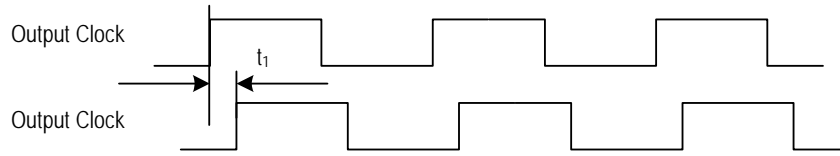


Figure 26. Output / output clock timing

Table 38: APLL1/2 Output-to-Output Delay

| Output  | $t_1$ Min (ps) | $t_1$ Max (ps) |
|---|----------------|----------------|
| Output-to-Output, LVCMOS<br>(OUT01 to OUT02)                        | -110           | 110            |
| Output-to-Output, LVPECL/LVDS<br>(OUT03 to OUT04 or OUT05 to OUT06) | -85            | 85             |

PACKAGE OUTLINE DRAWINGS

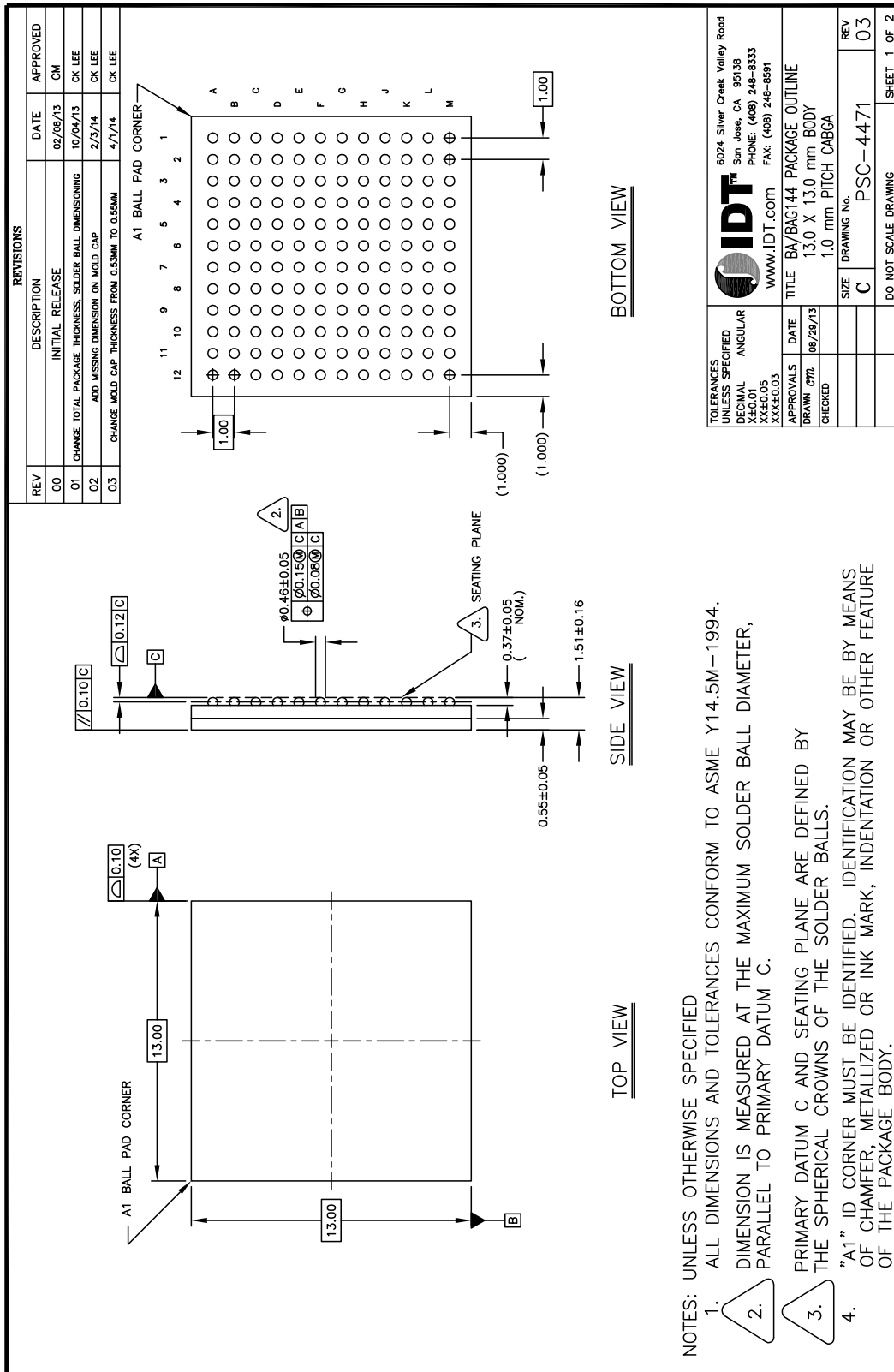


Figure 27. Package Outline Drawings – Page 1



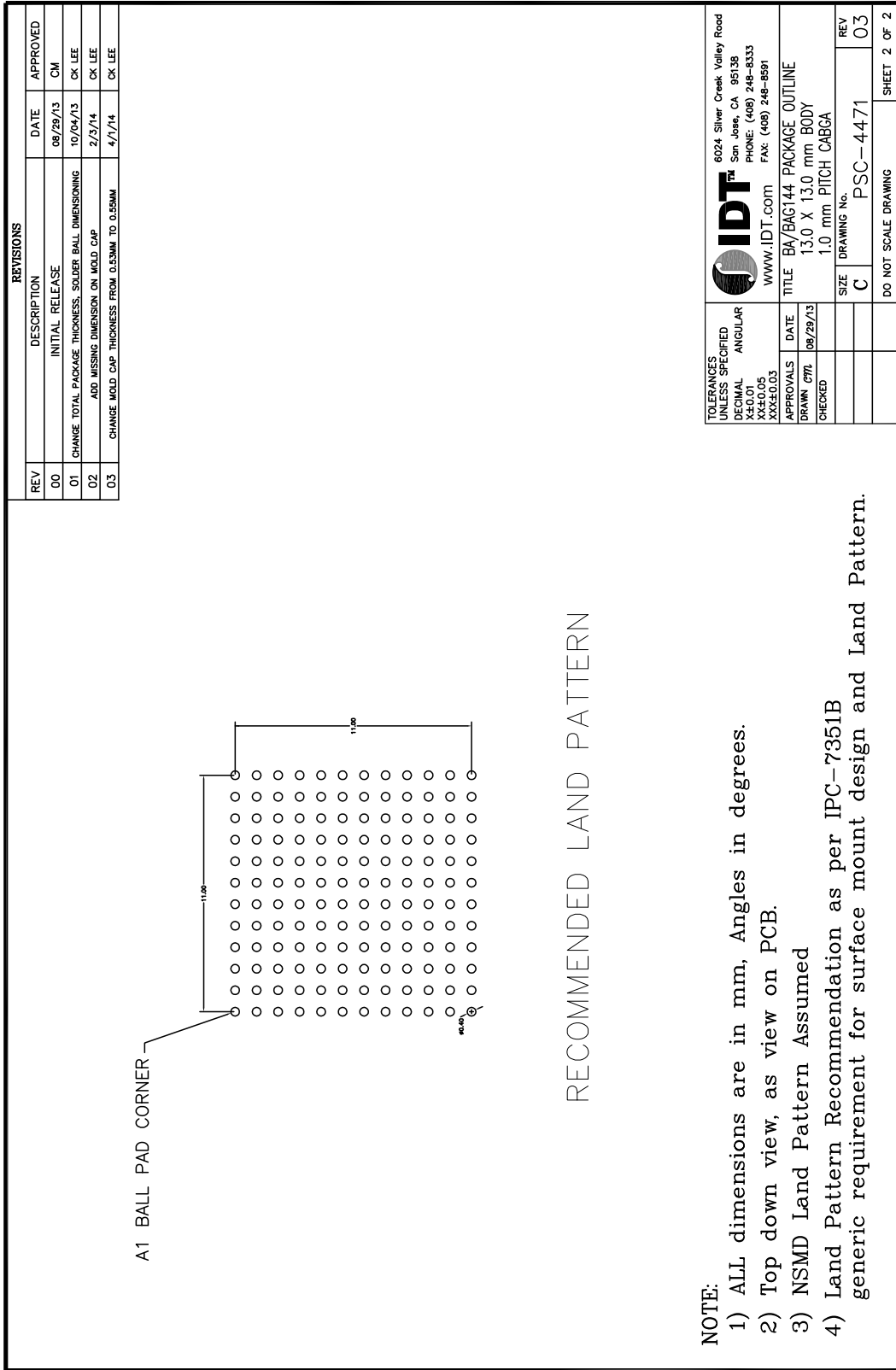


Figure 28. Package Outline Drawings – Page 2

## ORDERING INFORMATION

Table 39: Ordering Information

| Part/Order Number | Package                     | Temperature                            |
|-------------------|-----------------------------|--|
| 82P33741BAG       | 144-pin CABGA green package | -40 <sup>0</sup> to +85 <sup>0</sup> C |

**NOTE: “G” after the two-letter package code denotes Pb-Free configuration, RoHS compliant.**

While the information presented herein has been checked for both accuracy and reliability, Integrated Device Technology (IDT) assumes no responsibility for either its use or for the infringement of any patents or other rights of third parties, which would result from its use. No other circuits, patents, or licenses are implied. This product is intended for use in normal commercial applications. Any other applications such as those requiring extended temperature range, high reliability, or other extraordinary environmental requirements are not recommended without additional processing by IDT. IDT does not authorize or warrant any IDT product for use in life support devices or critical medical instruments.

## REVISION HISTORY

| Revision Date      | Description of Change   |
|--------------------|---|
| September 15, 2017 | Updated Table 7<br>Updated the package outline drawings; however, no mechanical changes |
| December 8, 2016   | Pages 1, 10, 17-18, 23-24, 56-57  |
| October 26, 2016   | Page 25   |
| July 14, 2016      | Pages 1, 5-6, 43-45, 56   |
| March 21, 2016     | Page 44   |
| June 16, 2015      | Pages 9, 11, 13, 34   |
| May 13, 2015       | Page 42   |
| April 15, 2015     | Pages 54, 56-58   |
| February 6, 2015   | Pages 32, 54 (Table 40), 57 (Table 42)  |
| January 26, 2014   | Page 29   |
| December 19, 2014  | Page 42   |
| October 9, 2014    | Page 9  |

## Notice

1. Descriptions of circuits, software and other related information in this document are provided only to illustrate the operation of semiconductor products and application examples. You are fully responsible for the incorporation or any other use of the circuits, software, and information in the design of your product or system. Renesas Electronics disclaims any and all liability for any losses and damages incurred by you or third parties arising from the use of these circuits, software, or information.
  2. Renesas Electronics hereby expressly disclaims any warranties against and liability for infringement or any other claims involving patents, copyrights, or other intellectual property rights of third parties, by or arising from the use of Renesas Electronics products or technical information described in this document, including but not limited to, the product data, drawings, charts, programs, algorithms, and application examples.
  3. No license, express, implied or otherwise, is granted hereby under any patents, copyrights or other intellectual property rights of Renesas Electronics or others.
  4. You shall not alter, modify, copy, or reverse engineer any Renesas Electronics product, whether in whole or in part. Renesas Electronics disclaims any and all liability for any losses or damages incurred by you or third parties arising from such alteration, modification, copying or reverse engineering.
  5. Renesas Electronics products are classified according to the following two quality grades: "Standard" and "High Quality". The intended applications for each Renesas Electronics product depends on the product's quality grade, as indicated below.
    - "Standard": Computers; office equipment; communications equipment; test and measurement equipment; audio and visual equipment; home electronic appliances; machine tools; personal electronic equipment; industrial robots; etc.
    - "High Quality": Transportation equipment (automobiles, trains, ships, etc.); traffic control (traffic lights); large-scale communication equipment; key financial terminal systems; safety control equipment; etc.Unless expressly designated as a high reliability product or a product for harsh environments in a Renesas Electronics data sheet or other Renesas Electronics document, Renesas Electronics products are not intended or authorized for use in products or systems that may pose a direct threat to human life or bodily injury (artificial life support devices or systems; surgical implantations; etc.), or may cause serious property damage (space system; undersea repeaters; nuclear power control systems; aircraft control systems; key plant systems; military equipment; etc.). Renesas Electronics disclaims any and all liability for any damages or losses incurred by you or any third parties arising from the use of any Renesas Electronics product that is inconsistent with any Renesas Electronics data sheet, user's manual or other Renesas Electronics document.
  6. When using Renesas Electronics products, refer to the latest product information (data sheets, user's manuals, application notes, "General Notes for Handling and Using Semiconductor Devices" in the reliability handbook, etc.), and ensure that usage conditions are within the ranges specified by Renesas Electronics with respect to maximum ratings, operating power supply voltage range, heat dissipation characteristics, installation, etc. Renesas Electronics disclaims any and all liability for any malfunctions, failure or accident arising out of the use of Renesas Electronics products outside of such specified ranges.
  7. Although Renesas Electronics endeavors to improve the quality and reliability of Renesas Electronics products, semiconductor products have specific characteristics, such as the occurrence of failure at a certain rate and malfunctions under certain use conditions. Unless designated as a high reliability product or a product for harsh environments in a Renesas Electronics data sheet or other Renesas Electronics document, Renesas Electronics products are not subject to radiation resistance design. You are responsible for implementing safety measures to guard against the possibility of bodily injury, injury or damage caused by fire, and/or danger to the public in the event of a failure or malfunction of Renesas Electronics products, such as safety design for hardware and software, including but not limited to redundancy, fire control and malfunction prevention, appropriate treatment for aging degradation or any other appropriate measures. Because the evaluation of microcomputer software alone is very difficult and impractical, you are responsible for evaluating the safety of the final products or systems manufactured by you.
  8. Please contact a Renesas Electronics sales office for details as to environmental matters such as the environmental compatibility of each Renesas Electronics product. You are responsible for carefully and sufficiently investigating applicable laws and regulations that regulate the inclusion or use of controlled substances, including without limitation, the EU RoHS Directive, and using Renesas Electronics products in compliance with all these applicable laws and regulations. Renesas Electronics disclaims any and all liability for damages or losses occurring as a result of your noncompliance with applicable laws and regulations.
  9. Renesas Electronics products and technologies shall not be used for or incorporated into any products or systems whose manufacture, use, or sale is prohibited under any applicable domestic or foreign laws or regulations. You shall comply with any applicable export control laws and regulations promulgated and administered by the governments of any countries asserting jurisdiction over the parties or transactions.
  10. It is the responsibility of the buyer or distributor of Renesas Electronics products, or any other party who distributes, disposes of, or otherwise sells or transfers the product to a third party, to notify such third party in advance of the contents and conditions set forth in this document.
  11. This document shall not be reprinted, reproduced or duplicated in any form, in whole or in part, without prior written consent of Renesas Electronics.
  12. Please contact a Renesas Electronics sales office if you have any questions regarding the information contained in this document or Renesas Electronics products.
- (Note1) "Renesas Electronics" as used in this document means Renesas Electronics Corporation and also includes its directly or indirectly controlled subsidiaries.
- (Note2) "Renesas Electronics product(s)" means any product developed or manufactured by or for Renesas Electronics.

(Rev.4.0-1 November 2017)

## Corporate Headquarters

TOYOSU FORESIA, 3-2-24 Toyosu,  
Koto-ku, Tokyo 135-0061, Japan  
[www.renesas.com](http://www.renesas.com)

## Contact Information

For further information on a product, technology, the most up-to-date version of a document, or your nearest sales office, please visit:  
[www.renesas.com/contact/](http://www.renesas.com/contact/)

## Trademarks

Renesas and the Renesas logo are trademarks of Renesas Electronics Corporation. All trademarks and registered trademarks are the property of their respective owners.