

32-pin CK505 for Intel Systems

ICS9LRS4103

Recommended Application:

CK505 clock, 32-pin for 5 series Intel chipsets

Output Features:

- 1 - CPU differential low power push-pull pairs
- 1 - SRC differential low power push-pull pairs
- 1 - Selectable 120MHz CK_SSC_Disb or 100 MHz SRC low power push-pull pair
- 1 - SATA/SRC selectable differential low power push-pull pair
- 1 - DOT differential low power push-pull pair
- 1 - REF, 14.318MHz

Key Specifications:

- CPU outputs cycle-cycle jitter < 85ps
- SRC output cycle-cycle jitter < 125ps
- +/- 100ppm frequency accuracy on all outputs
- SRC are PCIe Gen2 compliant

Features/Benefits:

- Supports spread spectrum modulation, default is 0.5% down spread
- Uses external 14.318MHz crystal, external crystal load caps are required for frequency tuning
- Does not require external pass transistor for voltage regulator
- Integrated 33Ω series resistors on differential outputs, Zo=50Ω

Table 1: CPU Frequency Select Table

FS _L C B0b7	CPU MHz	SRC MHz	REF MHz	DOT MHz
0 (Default)	133.33	100.00	14.318	96.00
1	100.00			

1. FS_LC is a low-threshold input. Please see V_{IL,FS} and V_{IH,FS} specifications in the Input/Supply/Common Output Parameters Table for correct values. Also refer to the Test Clarification Table.

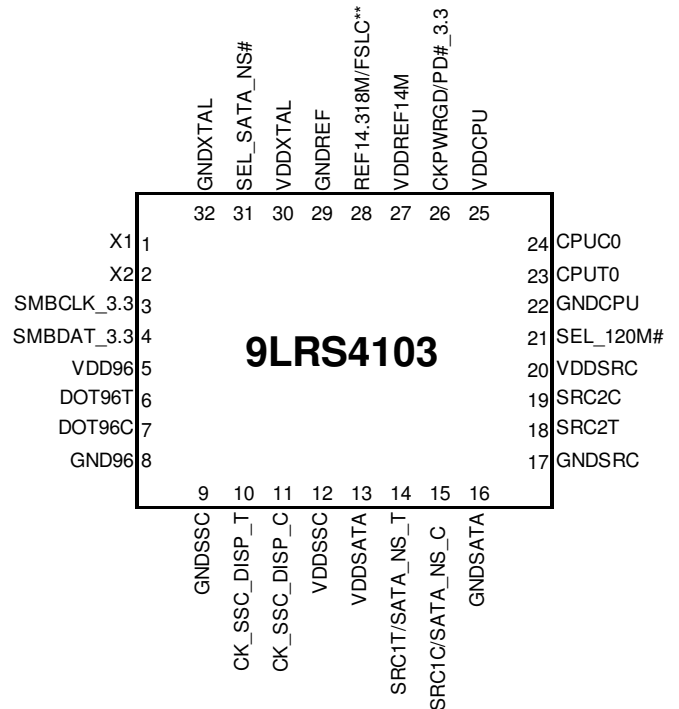
SEL_120M#

Pin# 21	Pin# 10/11
Pulled Low	120MHz
Pulled High	100MHz

SEL_SATA_NS#

Pin# 31	Pin# 14/15
0	100MHz_nonSS
1	100MHz_SS

Pin Configuration



** Internal Pull-Down Resistor

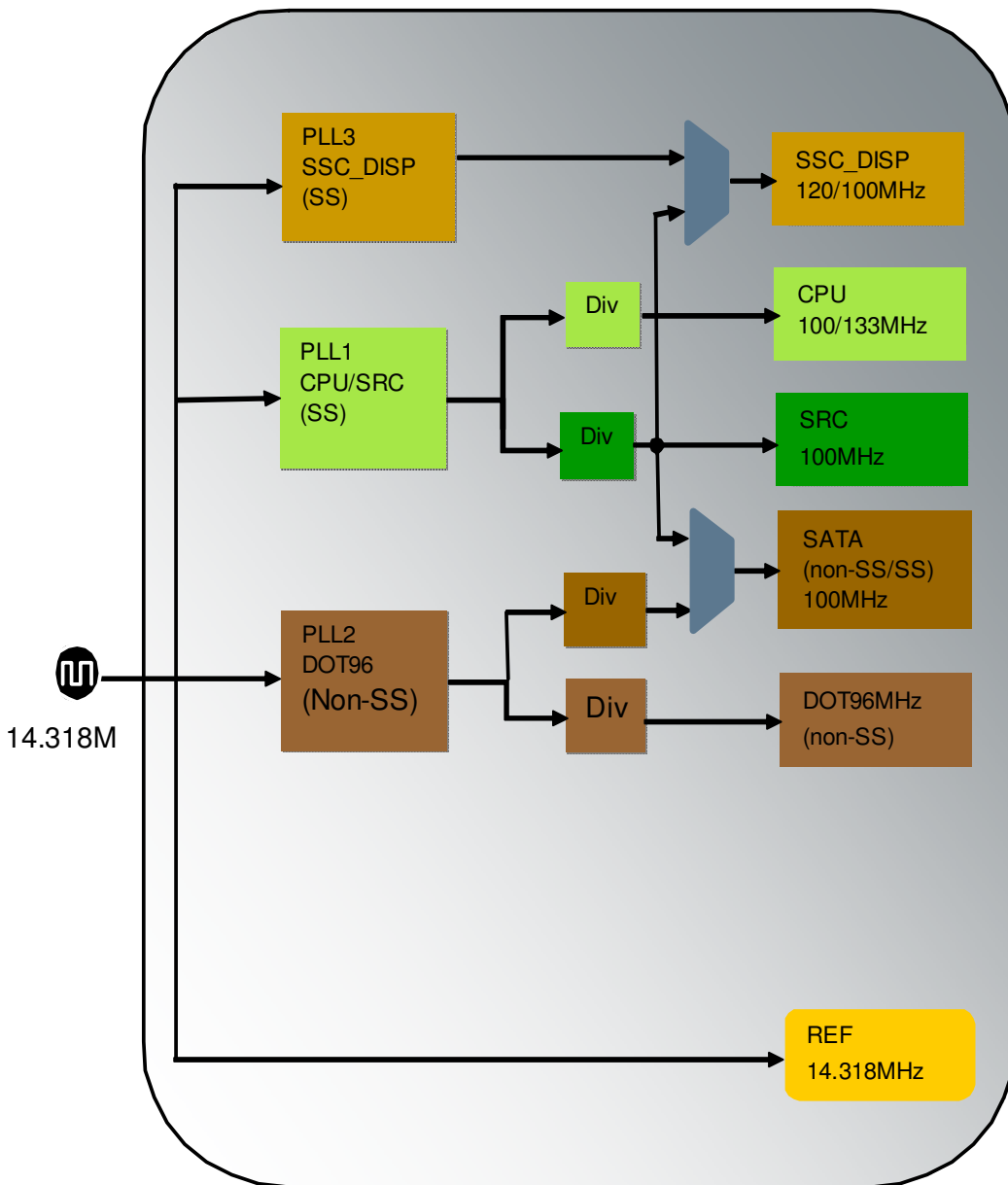
Pin Description

Pin#	Pin Name	Type	Pin Description
1	X1	IN	Crystal input, Nominally 14.318MHz.
2	X2	OUT	Crystal output, Nominally 14.318MHzMHz.
3	SMBCLK_3.3	IN	Clock pin of SMBus circuitry, 3.3V tolerant.
4	SMBDAT_3.3	I/O	Data pin for SMBus circuitry, 3.3V tolerant.
5	VDD96	PWR	Power pin for the DOT96MHz output 3.3V.
6	DOT96T	OUT	True clock DOT96 output with integrated 33ohm series resistor. No 50ohm resistor to GND needed.
7	DOT96C	OUT	Complementary clock DOT96 output with integrated 33ohm series resistor. No 50ohm resistor to GND needed.
8	GND96	PWR	Ground pin for the DOT96MHz output.
9	GNDSSC	PWR	Ground pin for the CK_SSC_DISP output.
10	CK_SSC_DISP_T	OUT	True clock of CK_SSC_DISP (100MHz or 120MHz) output with integrated 33ohm series resistor. No 50ohm resistor to GND needed.
11	CK_SSC_DISP_C	OUT	Complementary clock of CK_SSC_DISP (100MHz or 120MHz) output with integrated 33ohm series resistor. No 50ohm resistor to GND needed.
12	VDDSSC	PWR	Power pin for the CK_SSC_DISP output 3.3V
13	VDDSAATA	PWR	Power pin for the SATA output 3.3V
14	SRC1T/SATA_NS_T	OUT	True clock of differential 0.8V push-pull SRC/SATA output with integrated 33ohm series resistor. No 50ohm resistor to GND needed.
15	SRC1C/SATA_NS_C	OUT	Complementary clock of differential 0.8V push-pull SRC/SATA output with integrated 33ohm series resistor. No 50ohm resistor to GND needed.
16	GNDSAATA	PWR	Ground pin for the SATA output.
17	GNDSRC	PWR	Ground pin for the SRC output.
18	SRC2T	OUT	True clock of differential 0.8V push-pull SRC output with integrated 33ohm series resistor. No 50ohm resistor to GND needed.
19	SRC2C	OUT	Complementary clock of differential 0.8V push-pull SRC output with integrated 33ohm series resistor. No 50ohm resistor to GND needed.
20	VDDSRC	PWR	Power pin for the SRC output 3.3V.
21	SEL_120M#	IN	Selects pins #10/11 to be 120MHz or 100MHz. "0" = 120MHz, "1" = 100MHz.
22	GNDCPU	PWR	Ground pin for the CPU output.
23	CPUT0	OUT	True clock of differential pair 0.8V push-pull CPU outputs with integrated 33ohm series resistor. No 50 ohm resistor to GND needed.
24	CPUC0	OUT	Complementary clock of differential pair 0.8V push-pull CPU outputs with integrated 33ohm series resistor. No 50 ohm resistor to GND needed.
25	VDDCPU	PWR	Power pin for the CPU output 3.3V
26	CKPWRGD/PD#_3.3	IN	Notifies CK505 to sample latched inputs, or iAMT entry/exit, or PWRDWN# mode
27	VDDREF14M	PWR	Power pin for the REF output 3.3V
28	REF14.318M_3X/FSLC**	I/O	Reference 14.318 MHz clock, which drives 3 loads on default / 3.3V tolerant input for CPU frequency selection. Refer to input electrical characteristics for Vil_FS and Vih_FS values.
29	GNDREF	PWR	Ground pin for the REF output.
30	VDDXTAL	PWR	Power pin for XTAL 3.3V
31	SEL_SATA_NS#	IN	Selects pin #14/15 to be SRC1 or SATA_NS. "0" = SATA_NS, "1" = SRC1
32	GNDXTAL	PWR	Ground pin for XTAL.

General Description

ICS9LRS4103 is compatible with the Intel CK505 Yellow Cover specification. This clock synthesizer provides a single chip solution for Intel desktop 5 series chipsets. ICS9LRS4103 is driven with a 14.318MHz crystal. It also provides a tight ppm accuracy output for Serial ATA and PCI-Express support.

Block Diagram



Absolute Maximum Ratings

PARAMETER	SYMBOL	CONDITIONS	MIN	MAX	UNITS	Notes
Maximum Supply Voltage	VDDxxx	Core/Logic Supply		4.6	V	1,7
Maximum Supply Voltage	VDDxxx_IO	Low Voltage Differential I/O Supply		3.8	V	1,7
Maximum Input Voltage	V _{IH}	3.3V LVTTTL Inputs		4.6	V	1,7,8
Minimum Input Voltage	V _{IL}	Any Input	GND - 0.5		V	1,7
Storage Temperature	T _s	-	-65	150	°C	1,7
Case Temperature	T _{case}	-		115	°C	1,7
Input ESD protection	ESD prot	Human Body Model	2000		V	1,7

Electrical Characteristics - Input/Supply/Common Output Parameters

PARAMETER	SYMBOL	CONDITIONS	MIN	MAX	UNITS	Notes
Ambient Operating Temp	T _{ambient}	-	0	70	°C	1
Supply Voltage	VDDxxx	Supply Voltage	3.135	3.465	V	1
Input High Voltage	V _{IHSE}	Single-ended inputs	2	V _{DD} + 0.3	V	1
Input Low Voltage	V _{ILSE}	Single-ended inputs	V _{SS} - 0.3	0.8	V	1
Input Leakage Current	I _{IN}	V _{IN} = V _{DD} , V _{IN} = GND	-5	5	uA	1
Input Leakage Current	I _{INRES}	Inputs with pull or pull down resistors V _{IN} = V _{DD} , V _{IN} = GND	-200	200	uA	1
Output High Voltage	V _{OHSE}	Single-ended outputs, I _{OH} = -1mA	2.4		V	1
Output Low Voltage	V _{OLSE}	Single-ended outputs, I _{OL} = 1 mA		0.4	V	1
Output High Voltage	V _{OHDF}	Differential Outputs	0.7	0.9	V	1
Output Low Voltage	V _{OLDIF}	Differential Outputs		0.4	V	1
Low Threshold Input-High Voltage	V _{IH_FS}	3.3 V +/-5%	0.7	V _{DD} + 0.3	V	1
Low Threshold Input-Low Voltage	V _{IL_FS}	3.3 V +/-5%	V _{SS} - 0.3	0.35	V	1
Operating Supply Current	I _{DD}	3.3V supply		100	mA	1
Power Down Current	I _{DD_PD3.3}	3.3V supply, Power Down Mode		6	mA	1
iAMT Mode Current	I _{DD_iAMT3.3}	3.3V supply, iAMT Mode		50	mA	1
Input Frequency	F _i	V _{DD} = 3.3 V		14.3182	MHz	2
Pin Inductance	L _{pin}			7	nH	1
Input Capacitance	C _{IN}	Logic Inputs	1.5	5	pF	1
	C _{OUT}	Output pin capacitance		6	pF	1
	C _{INX}	X1 & X2 pins		6	pF	1
Spread Spectrum Modulation Frequency	f _{SSMOD}	Triangular Modulation	30	33	kHz	1

AC Electrical Characteristics - Input/Common Parameters

PARAMETER	SYMBOL	CONDITIONS	MIN	MAX	UNITS	Notes
Clk Stabilization	TSTAB	From VDD Power-Up or de-assertion of PD# to 1st clock		1.8	ms	1
Tfall_PD#	TFALL	Fall/rise time of PD#, PCI_STOP# and CPU_STOP# inputs		5	ns	1
Trise_PD#	TRISE			5	ns	1

AC Electrical Characteristics - Low Power Differential Outputs

PARAMETER	SYMBOL	CONDITIONS	MIN	MAX	UNITS	NOTES
Rising Edge Slew Rate	tSLR	Differential Measurement	2.5	4	V/ns	1,2
Falling Edge Slew Rate	tFLR	Differential Measurement	2.5	4	V/ns	1,2
Slew Rate Variation	tSLVAR	Single-ended Measurement		20	%	1
Maximum Output Voltage	VHIGH	Includes overshoot		1150	mV	1
Minimum Output Voltage	VLOW	Includes undershoot	-300		mV	1
Differential Voltage Swing	VSWING	Differential Measurement	300		mV	1
Crossing Point Voltage	VXABS	Single-ended Measurement	300	550	mV	1,3,4
Crossing Point Variation	VXABSVAR	Single-ended Measurement		140	mV	1,3,5
Duty Cycle	DCYC	Differential Measurement	45	55	%	1
CPU Jitter - Cycle to Cycle	CPUJC2C	Differential Measurement		85	ps	1
SRC Jitter - Cycle to Cycle	SRCJC2C	Differential Measurement		125	ps	1
DOT Jitter - Cycle to Cycle	DOTJC2C	Differential Measurement		250	ps	1
SRC Skew	SRCSCKEW	Differential Measurement, all SRC from same PLL		200	ps	1

Electrical Characteristics - REF-14.318MHz

PARAMETER	SYMBOL	CONDITIONS	MIN	MAX	UNITS	Notes
Long Accuracy	ppm	see Tperiod min-max values	0	0	ppm	1,6
Clock period	Tperiod	14.318180 MHz output nominal	69.8413	69.8413	ns	6
Absolute min/max period	Tab	14.318180 MHz including cycle to cycle jitter	68.8413	70.84128	ns	6
Output High Voltage	VOH	IOH = -1 mA	2.4		V	1
Output Low Voltage	VOL	IOL = 1 mA		0.4	V	1
Output High Current	IOH	VOH @MIN = 1.0 V, VOH@MAX = 3.135 V	-33	-33	mA	1
Output Low Current	IOL	VOL @MIN = 1.95 V, VOL @MAX = 0.4 V	30	38	mA	1
Rising Edge Slew Rate	tSLR	Measured from 0.8 to 2.0 V	1	4	V/ns	1
Falling Edge Slew Rate	tFLR	Measured from 2.0 to 0.8 V	1	4	V/ns	1
Duty Cycle	dt1	VT = 1.5 V	45	55	%	1
Jitter	tjyc-cyc	VT = 1.5 V		1000	ps	1

Electrical Characteristics - SMBus Interface

PARAMETER	SYMBOL	CONDITIONS	MIN	MAX	UNITS	Notes
SMBus Voltage	V_{DD}		2.7	5.5	V	1
Low-level Output Voltage	V_{OLSMB}	@ I_{PULLUP}		0.4	V	1
Current sinking at $V_{OLSMB} = 0.4$ V	I_{PULLUP}	SMB Data Pin	4		mA	1
SCLK/SDATA Clock/Data Rise Time	T_{RI2C}	(Max $V_{IL} - 0.15$) to (Min $V_{IH} + 0.15$)		1000	ns	1
SCLK/SDATA Clock/Data Fall Time	T_{FI2C}	(Min $V_{IH} + 0.15$) to (Max $V_{IL} - 0.15$)		300	ns	1
Maximum SMBus Operating Frequency	F_{SMBUS}	Block Mode		100	kHz	1

Notes on Electrical Characteristics:

¹Guaranteed by design and characterization, not 100% tested in production.

²Slew rate measured through V_{swing} centered around differential zero

³ V_{xabs} is defined as the voltage where $CLK = CLK\#$

⁴Only applies to the differential rising edge (CLK rising and CLK# falling)

⁵Defined as the total variation of all crossing voltages of CLK rising and CLK# falling. Matching applies to rising edge rate of CLK and falling edge of CLK#. It is measured using a +/-75mV window centered on the average cross point where CLK meets CLK#. The average cross point is used to calculate the voltage thresholds the oscilloscope is to use for the edge rate calculations.

⁶All Long Term Accuracy and Clock Period specifications are guaranteed assuming that REF has been tuned to exactly 14.318180 MHz

⁷Operation under these conditions is neither implied, nor guaranteed.

⁸Maximum input voltage is not to exceed maximum VDD

Differential Clock Tolerances

	CPU	SRC	DOT96	CK SSC DISP	
PPM tolerance	100	100	100	100	ppm
Cycle to Cycle Jitter	50	125	250	125	ps
Spread	-0.50%	-0.50%	0	-0.50%	%

Clock Periods - Differential Outputs with Spread Spectrum Disabled

SSC OFF	Center Freq. MHz	Measurement Window							Units	Notes
		1 Clock	1us	0.1s	0.1s	0.1s	1us	1 Clock		
		-c2c jitter AbsPer Min	-SSC Short-Term Average Min	- ppm Long-Term Average Min	0 ppm Period Nominal	+ ppm Long-Term Average Max	+SSC Short-Term Average Max	+c2c jitter AbsPer Max		
CPU	100.00	9.94900		9.99900	10.00000	10.00100		10.05100	ns	1,2
	133.33	7.44925		7.49925	7.50000	7.50075		7.55075	ns	1,2
SRC	100.00	9.87400		9.99900	10.00000	10.00100		10.12600	ns	1,2
CK_SSC_DISP	120.00	8.20750		8.33250	8.33333	8.33417		8.45917	ns	1,2
DOT96	96.00	10.16563		10.41563	10.41667	10.41771		10.66771	ns	1,2

Clock Periods - Differential Outputs with Spread Spectrum Enabled

SSC ON	Center Freq. MHz	Measurement Window							Units	Notes
		1 Clock	1us	0.1s	0.1s	0.1s	1us	1 Clock		
		-c2c jitter AbsPer Min	-SSC Short-Term Average Min	- ppm Long-Term Average Min	0 ppm Period Nominal	+ ppm Long-Term Average Max	+SSC Short-Term Average Max	+c2c jitter AbsPer Max		
CPU	99.75	9.94906	9.99906	10.02406	10.02506	10.02607	10.05107	10.10107	ns	1,2
	133.00	7.44930	7.49930	7.51805	7.51880	7.51955	7.53830	7.58830	ns	1,2
SRC	99.75	9.87406	9.99906	10.02406	10.02506	10.02607	10.05107	10.17607	ns	1,2
CK_SSC_DISP	119.70	8.20755	8.33255	8.35338	8.35422	8.35505	8.37589	8.50089	ns	1,2

¹Guaranteed by design and characterization, not 100% tested in production.

² All Long Term Accuracy specifications are guaranteed with the assumption that the crystal input is tuned to exactly 14.31818MHz.

Table 1: CPU Frequency Select Table

FS _L C B0b7	CPU MHz	SRC MHz	REF MHz	DOT MHz
0 (Default)	133.33	100.00	14.318	96.00
1	100.00			

1. FS_LC is a low-threshold input. Please see V_{IL_FS} and V_{IH_FS} specifications in the Input/Supply/Common Output Parameters Table for correct values. Also refer to the Test Clarification Table.

Table 2: IO_Vout select table

B9b2	B9b1	B9b0	IO_Vout
0	0	0	0.3V
0	0	1	0.4V
0	1	0	0.5V
0	1	1	0.6V
1	0	0	0.7V
1	0	1	0.8V
1	1	0	0.9V
1	1	1	1.0V

Table 3: Device ID table

B8b7	B8b6	B8b5	B8b4	Comment
0	0	0	0	56 pin TSSOP
0	0	0	1	64 pin TSSOP
0	0	1	0	Reserved
0	0	1	1	Reserved
0	1	0	0	Reserved
0	1	0	1	72 pin QFN
0	1	1	0	Reserved
0	1	1	1	Reserved
1	0	0	0	32 pin QFN
1	0	0	1	Reserved
1	0	1	0	Reserved
1	0	1	1	Reserved
1	1	0	0	Reserved
1	1	0	1	Reserved
1	1	1	0	Reserved
1	1	1	1	Reserved

Table 4: Series Resistors for REF Output

D.C.Drive Strength	Number of Loads to Drive	REF Strength	Rs
	1	1x	33Ω [39Ω]
1	2x	39Ω [43Ω]	
2	2x	27Ω [33Ω]	

Notes:

1. Preferred drive strengths using CK505 clock sources. Transmission
2. Desktop/Mobile Platforms with Z_o = 50/55 ohms use the first resistor value.
3. Systems with Z_o = 60 ohms use the resistor values in brackets [].

PD# Power Management

Device State	Single-ended Clocks		Differential Clocks	CPU0
	w/o Latched input	w/Latched input		
Latches Open	Low	Hi-Z	CK= Pull down, CK# = Low	CK= Pull down, CK# = Low
Power Down			CK= Pull down CK# = Low	CK= Pull down CK# = Low
M1			CK= Pull down CK# = Low	Running
Virtual Power Cycle to Latches Open			CK= Pull down, CK# = Low	CK= Pull down, CK# = Low

General SMBus serial interface information for the ICS9LRS4103

How to Write:

- Controller (host) sends a start bit.
- Controller (host) sends the write address $D2_{(H)}$
- ICS clock will **acknowledge**
- Controller (host) sends the beginning byte location = N
- ICS clock will **acknowledge**
- Controller (host) sends the data byte count = X
- ICS clock will **acknowledge**
- Controller (host) starts sending **Byte N through Byte N + X - 1**
- ICS clock will **acknowledge** each byte **one at a time**
- Controller (host) sends a Stop bit

How to Read:

- Controller (host) will send start bit.
- Controller (host) sends the write address $D2_{(H)}$
- ICS clock will **acknowledge**
- Controller (host) sends the beginning byte location = N
- ICS clock will **acknowledge**
- Controller (host) will send a separate start bit.
- Controller (host) sends the read address $D3_{(H)}$
- ICS clock will **acknowledge**
- ICS clock will send the data byte count = X
- ICS clock sends **Byte N + X - 1**
- ICS clock sends **Byte 0 through byte X (if $X_{(H)}$ was written to byte 8).**
- Controller (host) will need to acknowledge each byte
- Controller (host) will send a not acknowledge bit
- Controller (host) will send a stop bit

Index Block Write Operation		
Controller (Host)		ICS (Slave/Receiver)
T	starT bit	
Slave Address $D2_{(H)}$		
WR	WRite	
		ACK
Beginning Byte = N		
		ACK
Data Byte Count = X		
		ACK
Beginning Byte N		X Byte
○		
○		
○		
Byte N + X - 1		
		ACK
P	stoP bit	

Index Block Read Operation		
Controller (Host)		ICS (Slave/Receiver)
T	starT bit	
Slave Address $D2_{(H)}$		
WR	WRite	
		ACK
Beginning Byte = N		
		ACK
RT	Repeat starT	
Slave Address $D3_{(H)}$		
RD	ReaD	
		ACK
		Data Byte Count = X
ACK		X Byte
ACK		
○		
○		
○		
		Byte N + X - 1
N	Not acknowledge	
P	stoP bit	

Byte 0 FS Readback and PLL Selection Register

Bit	Pin	Name	Description	Type	0	1	Default
7		FSLC	CPU Freq. Sel. Bit	R			Latch
6		Reserved	Reserved	RW	-	-	0
5		Reserved	Reserved	RW	-	-	1
4		iAMT_EN	Set via SMBus	RW (Sticky 1)	Legacy Mode	iAMT Enabled	0
3		Reserved	Reserved	RW			0
2		SEL_120M#	Selects pins #10/11 to be 120MHz or 100MHz	R	120MHz	100MHz	Latch
1		SEL_SATA_NS#	Select source for SATA clock	R	SATA (100MHz_nonSS)	SRC1 (100MHz_SS)	Latch
0		PD_Restore	1 = on Power Down de-assert return to last known state 0 = clear all SMBus configurations as if cold power-on and go to latches open state This bit is ignored and treated at '1' if device is in iAMT mode.	RW	Configuration Not Saved	Configuration Saved	1

Byte 1 CPU/SRC Spread Selection Register

Bit	Pin	Name	Description	Type	0	1	Default
7		Reserved	Reserved	RW	-	-	0
6		CK505 PLL1 SSC_SEL	Select 0.5% down or center SSC	RW	Down spread	Center spread	0
5		Reserved	Reserved	RW	-	-	0
4		Reserved	Reserved	RW	-	-	0
3		Reserved	Reserved	RW	-	-	0
2		Reserved	Reserved	RW	-	-	0
1		Reserved	Reserved	RW	-	-	1
0		Reserved	Reserved	RW	-	-	1

Byte 2 Output Enable Register

Bit	Pin	Name	Description	Type	0	1	Default
7		REF_3L_OE	Output enable for REF0	RW	Output Disabled	Output Enabled	1
6		Reserved	Reserved	RW	-	-	1
5		Reserved	Reserved	RW	-	-	1
4		Reserved	Reserved	RW	-	-	1
3		Reserved	Reserved	RW	-	-	1
2		Reserved	Reserved	RW	-	-	1
1		Reserved	Reserved	RW	-	-	1
0		Reserved	Reserved	RW	-	-	1

Byte 3 Reserved Register

Bit	Pin	Name	Description	Type	0	1	Default
7		Reserved	Reserved	RW	-	-	1
6		Reserved	Reserved	RW	-	-	1
5		Reserved	Reserved	RW	-	-	1
4		Reserved	Reserved	RW	-	-	1
3		Reserved	Reserved	RW	-	-	1
2		Reserved	Reserved	RW	-	-	1
1		Reserved	Reserved	RW	-	-	1
0		Reserved	Reserved	RW	-	-	1

Byte 4 Output and Spread Spectrum Enable Register

Bit	Pin	Name	Description	Type	0	1	Default
7		CK_SSC_DISP	Output enable for CK_SSC_DISP	RW	Output Disabled	Output Enabled	1
6		SATA/SRC1_OE	Output enable for SATA/SRC1	RW	Output Disabled	Output Enabled	1
5		SRC2_OE	Output enable for SRC2	RW	Output Disabled	Output Enabled	1
4		DOT96_OE	Output enable for DOT96	RW	Output Disabled	Output Enabled	1
3		Reserved	Reserved	RW	-	-	1
2		CPU0_OE	Output enable for CPU0	RW	Output Disabled	Output Enabled	1
1		PLL1_SSC_ON	Enable PLL1's spread modulation	RW	Spread Disabled	Spread Enabled	1
0		PLL3_SSC_ON	Enable PLL3's spread modulation	RW	Spread Disabled	Spread Enabled	1

Byte 5 Reserved Register

Bit	Pin	Name	Description	Type	0	1	Default
7		Reserved	Reserved	RW	-	-	0
6		Reserved	Reserved	RW	-	-	0
5		Reserved	Reserved	RW	-	-	0
4		Reserved	Reserved	RW	-	-	0
3		Reserved	Reserved	RW	-	-	0
2		Reserved	Reserved	RW	-	-	0
1		Reserved	Reserved	RW	-	-	0
0		Reserved	Reserved	RW	-	-	0

Byte 6 Reserved Register

Bit	Pin	Name	Description	Type	0	1	Default
7		Reserved	Reserved	RW	-	-	0
6		Reserved	Reserved	RW	-	-	0
5		Reserved	Reserved	RW	-	-	0
4		Reserved	Reserved	RW	-	-	0
3		Reserved	Reserved	RW	-	-	0
2		Reserved	Reserved	RW	-	-	0
1		Reserved	Reserved	RW	-	-	0
0		Reserved	Reserved	RW	-	-	0

Byte 7 Vendor ID/ Revision ID

Bit	Pin	Name	Description	Type	0	1	Default
7		Rev Code Bit 3	Revision ID	R	Vendor specific		X
6		Rev Code Bit 2		R			X
5		Rev Code Bit 1		R			X
4		Rev Code Bit 0		R			X
3		Vendor ID bit 3	Vendor ID ICS is 0001, binary	R			0
2		Vendor ID bit 2		R			0
1		Vendor ID bit 1		R			0
0		Vendor ID bit 0		R	1		

Byte 8 Device ID and Output Enable Register

Bit	Pin	Name	Description	Type	0	1	Default
7		Device_ID3	Table of Device identifier codes, used for differentiating between CK505 package options, etc.	R	32-pin device		1
6		Device_ID2		R			0
5		Device_ID1		R			0
4		Device_ID0		R			0
3		Reserved	Reserved	RW	-	-	0
2		Reserved	Reserved	RW	-	-	0
1		Reserved	Reserved	RW	-	-	0
0		Reserved	Reserved	RW	-	-	0

Byte 9 Amplitude Control Register

Bit	Pin	Name	Description	Type	0	1	Default
7		Reserved	Reserved	RW	-	-	0
6		Reserved	Reserved	R	-	-	0
5		REF Strength	Sets the REF output drive strength	RW	1X (2Loads)	2X (3 Loads)	1
4		Reserved	Reserved	RW	-	-	0
3		Reserved	Reserved	RW	-	-	0
2		IO_VOUT2	IO Output Voltage Select (Most Significant Bit)	RW	See Table 2: V_IO Selection (Default is 0.8V)		1
1		IO_VOUT1	IO Output Voltage Select	RW			0
0		IO_VOUT0	IO Output Voltage Select (Least Significant Bit)	RW			1

Byte 10 Reserved Register

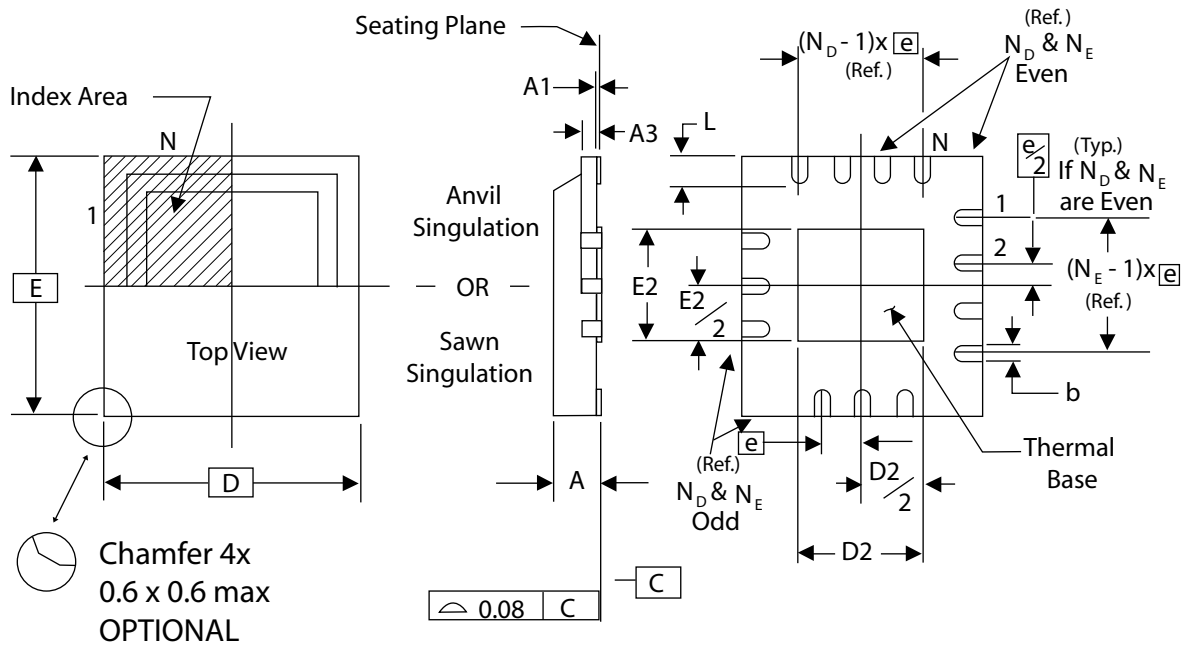
Bit	Pin	Name	Description	Type	0	1	Default
7		Reserved	Reserved	RW	-	-	0
6		Reserved	Reserved	RW	-	-	0
5		Reserved	Reserved	RW	-	-	0
4		Reserved	Reserved	RW	-	-	0
3		Reserved	Reserved	RW	-	-	0
2		Reserved	Reserved	RW	-	-	0
1		Reserved	Reserved	RW	-	-	1
0		Reserved	Reserved	RW	-	-	1

Byte 11 iAMT Enable Register

Bit	Pin	Name	Description	Type	0	1	Default
7		Reserved	Reserved	RW			0
6		Reserved	Reserved	RW			0
5		Reserved	Reserved	RW			0
4		Reserved	Reserved	RW			1
3		Reserved	Reserved	RW	-	-	0
2		CPU0_AMT_EN	M1 mode clk enable	RW	Disable	Enable	1
1		PCI-E_GEN2	Determines if PCI-E Gen2 compliant	R	non-Gen2	PCI-E Gen2 Compliant	1
0		Reserved	Reserved	RW	-	-	1

Byte 12 Byte Count Register

Bit	Pin	Name	Description	Type	0	1	Default
7		Reserved		RW			0
6		Reserved		RW			0
5		BC5	Read Back byte count register, max bytes = 32	RW			0
4		BC4		RW			0
3		BC3		RW			1
2		BC2		RW			1
1		BC1		RW			0
0		BC0		RW			1



THERMALLY ENHANCED, VERY THIN, FINE PITCH
QUAD FLAT / NO LEAD PLASTIC PACKAGE

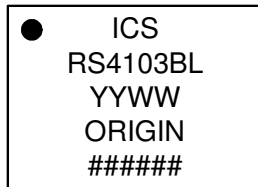
DIMENSIONS

SYMBOL	32L
N	32
N _D	8
N _E	8

DIMENSIONS (mm)

SYMBOL	MIN.	MAX.
A	0.8	1.0
A1	0	0.05
A3	0.20 Reference	
b	0.18	0.3
e	0.50 BASIC	
D x E BASIC	5.00 x 5.00	
D2 MIN. / MAX.	3.0	3.3
E2 MIN. / MAX.	3.0	3.3
L MIN. / MAX.	0.3	0.5

Marking Diagram



Ordering Information

Part / Order Number	Shipping Packaging	Package	Temperature
9LRS4103BKLF	Tubes	32-pin MLF	0 to +70°C
9LRS4103BKLF	Tape and Reel	32-pin MLF	0 to +70°C

"LF" suffix to the part number are the Pb-Free configuration and are RoHS compliant.

"B" is the device revision designator (will not correlate with the datasheet revision).

Revision History

Rev.	Issue Date	WHO	Description	Page #
0.1	10/08/08	RDW	Initial Release	-
0.2	11/03/08	RDW	Updated Electrical Characterisitcs 1) Updated Idd characteristics for 32-pin parts. Old Idd values were for 56/64 pin devices 2) Updated REF to be 0 ppm – tuned by user with external load caps. It is not +/-300ppm. 3) Minor updates to pagination 4) Added connector dot to SRC output to indicate connection.	Various
0.3	11/05/08	RDW	1) Removed Reference to Wake-On-LAN current spec in data sheet, this part does not support WOL.	
0.4	12/17/08	RDW	SRC Skew from: 500ps to: 200ps	
0.5	04/13/09	RDW	Added top-side marking	
A	03/15/10	RDW	1. Updated electrical characteristics per char data 2. Added Table 4: Series Resistor values for REF 3. Corrected SMBus reference to REF strength. REF is 1 load/2load strength. 4. Release to final	Various

This product is protected by United States Patent NO. 7,342,420 and other patents.

Notice

1. Descriptions of circuits, software and other related information in this document are provided only to illustrate the operation of semiconductor products and application examples. You are fully responsible for the incorporation or any other use of the circuits, software, and information in the design of your product or system. Renesas Electronics disclaims any and all liability for any losses and damages incurred by you or third parties arising from the use of these circuits, software, or information.
2. Renesas Electronics hereby expressly disclaims any warranties against and liability for infringement or any other claims involving patents, copyrights, or other intellectual property rights of third parties, by or arising from the use of Renesas Electronics products or technical information described in this document, including but not limited to, the product data, drawings, charts, programs, algorithms, and application examples.
3. No license, express, implied or otherwise, is granted hereby under any patents, copyrights or other intellectual property rights of Renesas Electronics or others.
4. You shall not alter, modify, copy, or reverse engineer any Renesas Electronics product, whether in whole or in part. Renesas Electronics disclaims any and all liability for any losses or damages incurred by you or third parties arising from such alteration, modification, copying or reverse engineering.
5. Renesas Electronics products are classified according to the following two quality grades: "Standard" and "High Quality". The intended applications for each Renesas Electronics product depends on the product's quality grade, as indicated below.
 - "Standard": Computers; office equipment; communications equipment; test and measurement equipment; audio and visual equipment; home electronic appliances; machine tools; personal electronic equipment; industrial robots; etc.
 - "High Quality": Transportation equipment (automobiles, trains, ships, etc.); traffic control (traffic lights); large-scale communication equipment; key financial terminal systems; safety control equipment; etc.Unless expressly designated as a high reliability product or a product for harsh environments in a Renesas Electronics data sheet or other Renesas Electronics document, Renesas Electronics products are not intended or authorized for use in products or systems that may pose a direct threat to human life or bodily injury (artificial life support devices or systems; surgical implantations; etc.), or may cause serious property damage (space system; undersea repeaters; nuclear power control systems; aircraft control systems; key plant systems; military equipment; etc.). Renesas Electronics disclaims any and all liability for any damages or losses incurred by you or any third parties arising from the use of any Renesas Electronics product that is inconsistent with any Renesas Electronics data sheet, user's manual or other Renesas Electronics document.
6. When using Renesas Electronics products, refer to the latest product information (data sheets, user's manuals, application notes, "General Notes for Handling and Using Semiconductor Devices" in the reliability handbook, etc.), and ensure that usage conditions are within the ranges specified by Renesas Electronics with respect to maximum ratings, operating power supply voltage range, heat dissipation characteristics, installation, etc. Renesas Electronics disclaims any and all liability for any malfunctions, failure or accident arising out of the use of Renesas Electronics products outside of such specified ranges.
7. Although Renesas Electronics endeavors to improve the quality and reliability of Renesas Electronics products, semiconductor products have specific characteristics, such as the occurrence of failure at a certain rate and malfunctions under certain use conditions. Unless designated as a high reliability product or a product for harsh environments in a Renesas Electronics data sheet or other Renesas Electronics document, Renesas Electronics products are not subject to radiation resistance design. You are responsible for implementing safety measures to guard against the possibility of bodily injury, injury or damage caused by fire, and/or danger to the public in the event of a failure or malfunction of Renesas Electronics products, such as safety design for hardware and software, including but not limited to redundancy, fire control and malfunction prevention, appropriate treatment for aging degradation or any other appropriate measures. Because the evaluation of microcomputer software alone is very difficult and impractical, you are responsible for evaluating the safety of the final products or systems manufactured by you.
8. Please contact a Renesas Electronics sales office for details as to environmental matters such as the environmental compatibility of each Renesas Electronics product. You are responsible for carefully and sufficiently investigating applicable laws and regulations that regulate the inclusion or use of controlled substances, including without limitation, the EU RoHS Directive, and using Renesas Electronics products in compliance with all these applicable laws and regulations. Renesas Electronics disclaims any and all liability for damages or losses occurring as a result of your noncompliance with applicable laws and regulations.
9. Renesas Electronics products and technologies shall not be used for or incorporated into any products or systems whose manufacture, use, or sale is prohibited under any applicable domestic or foreign laws or regulations. You shall comply with any applicable export control laws and regulations promulgated and administered by the governments of any countries asserting jurisdiction over the parties or transactions.
10. It is the responsibility of the buyer or distributor of Renesas Electronics products, or any other party who distributes, disposes of, or otherwise sells or transfers the product to a third party, to notify such third party in advance of the contents and conditions set forth in this document.
11. This document shall not be reprinted, reproduced or duplicated in any form, in whole or in part, without prior written consent of Renesas Electronics.
12. Please contact a Renesas Electronics sales office if you have any questions regarding the information contained in this document or Renesas Electronics products.

(Note1) "Renesas Electronics" as used in this document means Renesas Electronics Corporation and also includes its directly or indirectly controlled subsidiaries.

(Note2) "Renesas Electronics product(s)" means any product developed or manufactured by or for Renesas Electronics.

(Rev.4.0-1 November 2017)

Corporate Headquarters

TOYOSU FORESIA, 3-2-24 Toyosu,
Koto-ku, Tokyo 135-0061, Japan
www.renesas.com

Contact Information

For further information on a product, technology, the most up-to-date version of a document, or your nearest sales office, please visit:
www.renesas.com/contact/

Trademarks

Renesas and the Renesas logo are trademarks of Renesas Electronics Corporation. All trademarks and registered trademarks are the property of their respective owners.