

Description

The ICS180-01 generates a low EMI output clock from a clock or crystal input. The device uses IDT's proprietary mix of analog and digital Phase Locked Loop (PLL) technology to spread the frequency spectrum of the output, thereby reducing the frequency amplitude peaks by several dB.

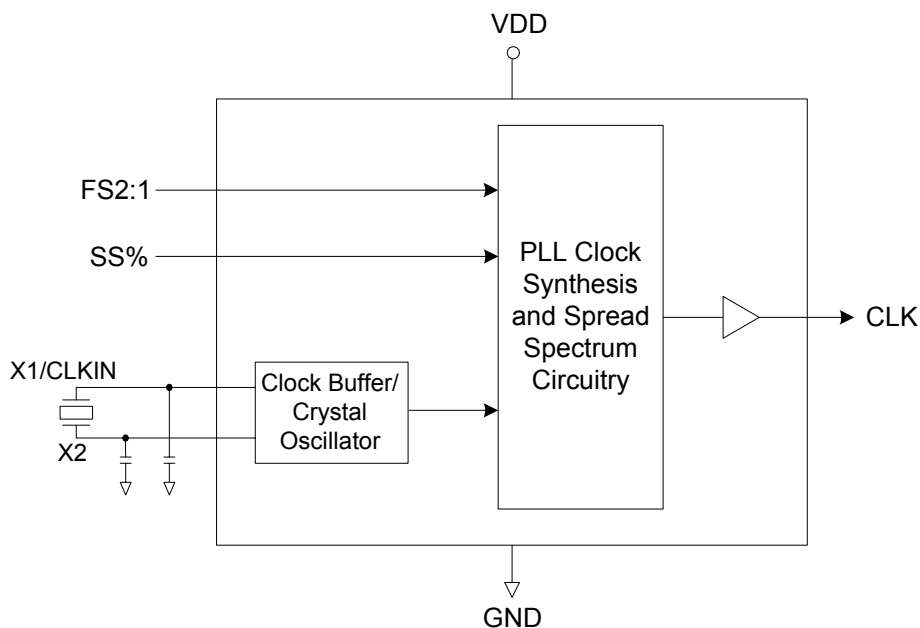
The ICS180-01 offers down spread selection of -1.25% and -3.75%. Refer to the MK1714-01/02 for the widest selection of input frequencies and multipliers.

IDT offers a complete line of EMI reducing clock generators. Consult us when you need to remove crystals and oscillators from your board.

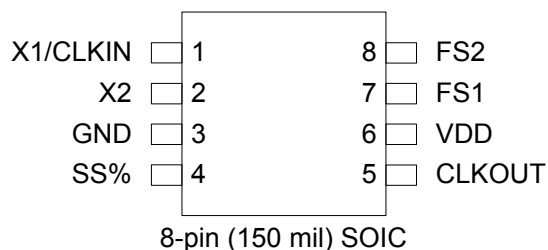
Features

- Pin and function compatible to Cypress W180-01
- Packaged in 8-pin SOIC
- Provides a spread spectrum output clock
- Accepts a clock input and provides same frequency dithered output
- Input frequency of 8 to 28 MHz
- Peak reduction by 7dB - 14dB typical on 3rd - 19th odd harmonics
- Spread percentage selection for -1.25% and -3.75%
- Operating voltage of 3.3 V and 5 V
- Advanced, low-power CMOS process
- Industrial temperature range available

Block Diagram



Pin Assignment



Spread Spectrum Select Table

| SS% (Pin 4) | Spread Direction | Spread Percentage (%) |
|-------------|------------------|-----------------------|
| 0 | Down | -1.25% |
| 1 | Down | -3.75% |

0 = connect to GND

1 = connect directly to VDD

Note: SS% pin has an internal pull-up resistor

Frequency Range Selection Table

| FS2 (Pin 8) | FS1 (Pin 7) | Frequency Range Selection (MHz) |
|-------------|-------------|---------------------------------|
| 0 | 0 | 8-10 |
| 0 | 1 | 10-15 |
| 1 | 0 | 15-18 |
| 1 | 1 | 18-28 |

Pin Descriptions

| Pin Number | Pin Name | Pin Type | Pin Description |
|------------|----------|----------|-----------------------------------------------------------------------------|
| 1 | X1/CLKIN | Input | Crystal or Clock Input. |
| 2 | X2 | Output | Crystal output. Float for a clock input. |
| 3 | GND | Power | Connect to ground. |
| 4 | SS% | Input | Select pin for spread amount. See table above. Internal pull-up resistor. |
| 5 | CLKOUT | Output | Spread spectrum clock output per table above. |
| 6 | VDD | Power | Connect to 3.3 V or 5 V. |
| 7 | FS1 | Input | Select pin for input frequency. See table above. Internal pull-up resistor. |
| 8 | FS2 | Input | Select pin for input frequency. See table above. Internal pull-up resistor. |

External Components

The ICS180-01 requires a minimum number of external components for proper operation.

Decoupling Capacitor

A decoupling capacitor of $0.01\mu\text{F}$ must be connected between VDD and GND on pins 6 and 3, as close to these pins as possible. For optimum device performance, the decoupling capacitor should be mounted on the component side of the PCB. Avoid the use of vias in the decoupling circuit.

Series Termination Resistor

When the PCB trace between the clock output and the load is over 1 inch, series termination should be used. To series terminate a 50Ω trace (a commonly used trace impedance) place a 33Ω resistor in series with the clock line, as close to the clock output pin as possible. The nominal impedance of the clock output is 20Ω

value of these capacitors is given by the following equation:

PCB Layout Recommendations

For optimum device performance and lowest output phase noise, the following guidelines should be observed.

- 1) The $0.01\mu\text{F}$ decoupling capacitor should be mounted on the component side of the board as close to the VDD pin as possible. No vias should be used between the decoupling capacitor and VDD pin. The PCB trace to VDD pin should be kept as short as possible, as should the PCB trace to the ground via.
- 2) To minimize EMI, the 33Ω series termination resistor (if needed) should be placed close to the clock output.
- 3) An optimum layout is one with all components on the same side of the board, minimizing vias through other signal layers. Other signal traces should be routed away from the ICS180-01. This includes signal traces just underneath the device, or on layers adjacent to the ground plane layer used by the device.

Absolute Maximum Ratings

Stresses above the ratings listed below can cause permanent damage to the ICS180-01. These ratings, which are standard values for IDT commercially rated parts, are stress ratings only. Functional operation of the device at these or any other conditions above those indicated in the operational sections of the specifications is not implied. Exposure to absolute maximum rating conditions for extended periods can affect product reliability. Electrical parameters are guaranteed only over the recommended operating temperature range.

| Item | Rating |
|--------------------------------------------|---------------------|
| Supply Voltage, VDD | 7 V |
| All Inputs and Outputs | -0.5 V to VDD+0.5 V |
| Ambient Operating Temperature (commercial) | 0 to +70° C |
| Ambient Operating Temperature (industrial) | -40 to +85° C |
| Storage Temperature | -65 to +150° C |
| Junction Temperature | 125° C |
| Soldering Temperature | 260° C |

Recommended Operation Conditions

| Parameter | Min. | Typ. | Max. | Units |
|---------------------------------------------------|--------|------|------|-------|
| Ambient Operating Temperature | -40 | | +85 | ° C |
| Power Supply Voltage (measured in respect to GND) | +3.135 | | +5.5 | V |

DC Electrical Characteristics

Unless stated otherwise, **VDD = 3.3 V ± 5%**, Ambient Temperature -40 to +85° C

| Parameter | Symbol | Conditions | Min. | Typ. | Max. | Units |
|------------------------|------------------|---------------------------------------------|---------|------|-------|-------|
| Operating Voltage | VDD | | 3.135 | | 3.465 | V |
| Supply Current | IDD | No load | | 18 | 32 | mA |
| Input High Voltage | V _{IH} | | 2.4 | | | V |
| Input Low Voltage | V _{IL} | | | | 0.8 | V |
| Output High Voltage | V _{OH} | I _{OH} = -4 mA | VDD-0.4 | | | V |
| Output High Voltage | V _{OH} | I _{OH} = -15 mA | 2.4 | | | V |
| Output Low Voltage | V _{OL} | I _{OL} = 15 mA | | | 0.4 | V |
| Input Capacitance | C _{IN} | | | 5 | 7 | pF |
| Output Impedance | R _{out} | | | 25 | | Ω |
| Input Pull-up Resistor | | | | 500 | | KΩ |
| Power-up Time | | First locked clock cycle after steady power | | | 5 | ms |

Unless stated otherwise, **VDD = 5 V, ±10%**, Ambient Temperature -40 to +85° C

| Parameter | Symbol | Conditions | Min. | Typ. | Max. | Units |
|------------------------|------------------|---------------------------------------------|--------|------|---------|-------|
| Operating Voltage | VDD | | 4.5 | 5 | 5.5 | V |
| Supply Current | IDD | No load | | 30 | 50 | mA |
| Input High Voltage | V _{IH} | | 0.7VDD | | | V |
| Input Low Voltage | V _{IL} | | | | 0.15VDD | V |
| Output High Voltage | V _{OH} | I _{OH} = -24 mA | 2.4 | | | V |
| Output Low Voltage | V _{OL} | I _{OL} = 24 mA | | | 0.4 | V |
| Output Impedance | R _{out} | | | 20 | | ohms |
| Input Capacitance | C _{IN} | | | 5 | 7 | pF |
| Output Impedance | R _{out} | | | 25 | | Ω |
| Input Pull-up Resistor | | | | 500 | | KΩ |
| Power-up Time | | First locked clock cycle after steady power | | | 5 | ms |

AC Electrical Characteristics

Unless stated otherwise, $V_{DD} = 3.3\text{ V} \pm 5\%$ or $5\text{ V} \pm 10\%$, Ambient Temperature -40 to $+85^\circ\text{C}$, $C_L = 15\text{ pf}$

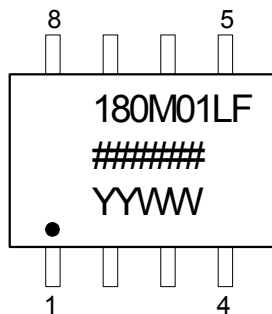
| Parameter | Symbol | Conditions | Min. | Typ. | Max. | Units |
|-------------------------|----------|-----------------------|------|------|------|-------|
| Input/Output Frequency | | | 8 | | 28 | MHz |
| Input Clock Duty Cycle | | Time above $V_{DD}/2$ | 40 | | 60 | % |
| Output Clock Duty Cycle | | Note 1 | 40 | 50 | 60 | % |
| Output Rise Time | t_{OR} | 0.8 to 2.4 V, note 1 | | 2 | 5 | ns |
| Output Fall Time | t_{OF} | 2.4 to 0.8 V, note 1 | | 2 | 5 | ns |
| Jitter | | Cycle-to-cycle | | 250 | 300 | ps |

Note 1: Measured with 15 pF load

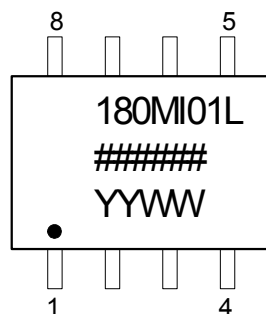
Thermal Characteristics

| Parameter | Symbol | Conditions | Min. | Typ. | Max. | Units |
|----------------------------------------|---------------|----------------|------|------|------|--------------------|
| Thermal Resistance Junction to Ambient | θ_{JA} | Still air | | 150 | | $^\circ\text{C/W}$ |
| | θ_{JA} | 1 m/s air flow | | 140 | | $^\circ\text{C/W}$ |
| | θ_{JA} | 3 m/s air flow | | 120 | | $^\circ\text{C/W}$ |
| Thermal Resistance Junction to Case | θ_{JC} | | | 40 | | $^\circ\text{C/W}$ |

Marking Diagram (ICS180M-01LF)



Marking Diagram (ICS180MI-01LF)

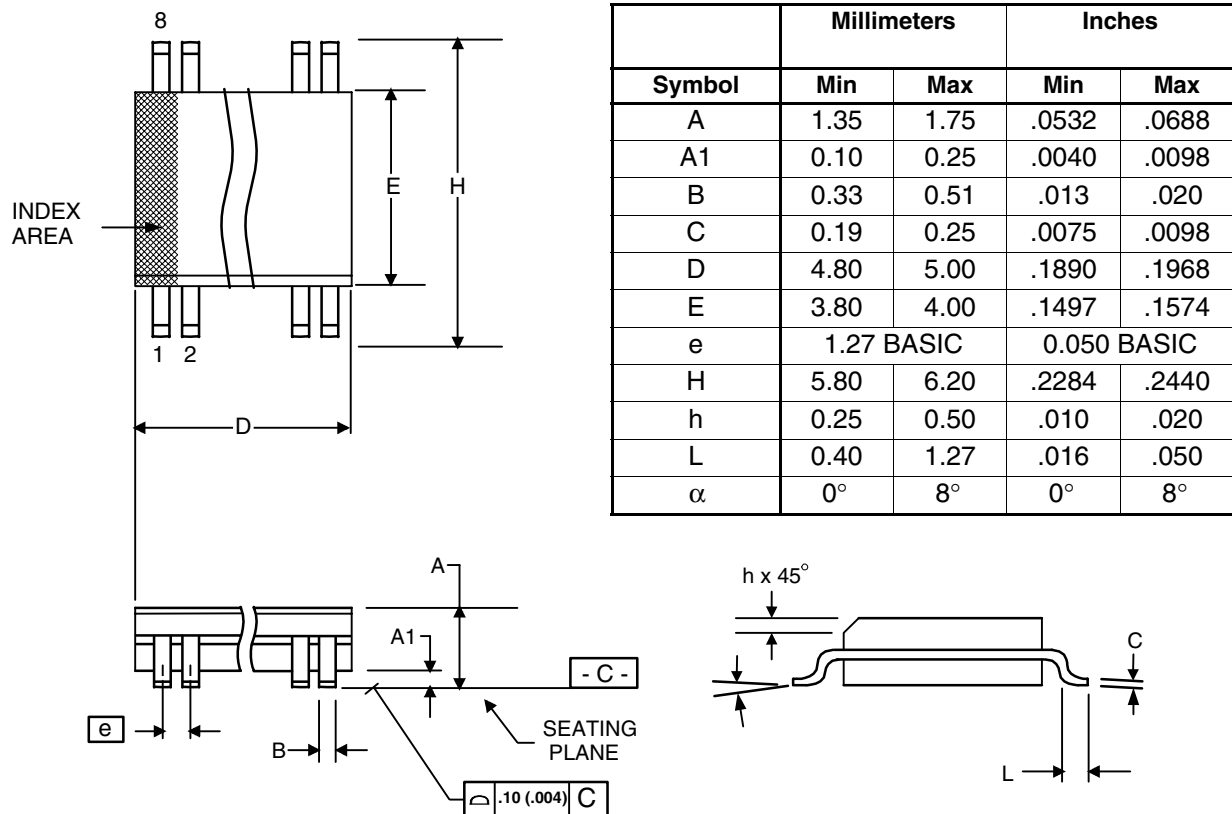


Notes:

1. ##### is the lot number.
2. YYWW is the last two digits of the year and week that the part was assembled.
3. "L" or "LF" denotes Pb (lead) free package.
4. "I" denotes industrial temperature range.
5. Bottom marking: country of origin.

Package Outline and Package Dimensions (8-pin SOIC, 150 Mil. Body)

Package dimensions are kept current with JEDEC Publication No. 95



Ordering Information

| Part / Order Number | Marking | Shipping Packaging | Package | Temperature |
|---------------------|------------|--------------------|------------|---------------|
| 180M-01LF | see page 6 | Tubes | 8-pin SOIC | 0 to +70° C |
| 180M-01LFT | | Tape and Reel | 8-pin SOIC | 0 to +70° C |
| 180MI-01LF | see page 6 | Tubes | 8-pin SOIC | -40 to +85° C |
| 180MI-01LFT | | Tape and Reel | 8-pin SOIC | -40 to +85° C |

Parts that are ordered with a “LF” suffix to the part number are the Pb-Free configuration and are RoHS compliant.

While the information presented herein has been checked for both accuracy and reliability, IDT assumes no responsibility for either its use or for the infringement of any patents or other rights of third parties, which would result from its use. No other circuits, patents, or licenses are implied. This product is intended for use in normal commercial applications. Any other applications such as those requiring extended temperature range, high reliability, or other extraordinary environmental requirements are not recommended without additional processing by IDT. IDT reserves the right to change any circuitry or specifications without notice. IDT does not authorize or warrant any IDT product for use in life support devices or critical medical instruments.

Notice

1. Descriptions of circuits, software and other related information in this document are provided only to illustrate the operation of semiconductor products and application examples. You are fully responsible for the incorporation or any other use of the circuits, software, and information in the design of your product or system. Renesas Electronics disclaims any and all liability for any losses and damages incurred by you or third parties arising from the use of these circuits, software, or information.
2. Renesas Electronics hereby expressly disclaims any warranties against and liability for infringement or any other claims involving patents, copyrights, or other intellectual property rights of third parties, by or arising from the use of Renesas Electronics products or technical information described in this document, including but not limited to, the product data, drawings, charts, programs, algorithms, and application examples.
3. No license, express, implied or otherwise, is granted hereby under any patents, copyrights or other intellectual property rights of Renesas Electronics or others.
4. You shall not alter, modify, copy, or reverse engineer any Renesas Electronics product, whether in whole or in part. Renesas Electronics disclaims any and all liability for any losses or damages incurred by you or third parties arising from such alteration, modification, copying or reverse engineering.
5. Renesas Electronics products are classified according to the following two quality grades: "Standard" and "High Quality". The intended applications for each Renesas Electronics product depends on the product's quality grade, as indicated below.
 - "Standard": Computers; office equipment; communications equipment; test and measurement equipment; audio and visual equipment; home electronic appliances; machine tools; personal electronic equipment; industrial robots; etc.
 - "High Quality": Transportation equipment (automobiles, trains, ships, etc.); traffic control (traffic lights); large-scale communication equipment; key financial terminal systems; safety control equipment; etc.Unless expressly designated as a high reliability product or a product for harsh environments in a Renesas Electronics data sheet or other Renesas Electronics document, Renesas Electronics products are not intended or authorized for use in products or systems that may pose a direct threat to human life or bodily injury (artificial life support devices or systems; surgical implantations; etc.), or may cause serious property damage (space system; undersea repeaters; nuclear power control systems; aircraft control systems; key plant systems; military equipment; etc.). Renesas Electronics disclaims any and all liability for any damages or losses incurred by you or any third parties arising from the use of any Renesas Electronics product that is inconsistent with any Renesas Electronics data sheet, user's manual or other Renesas Electronics document.
6. When using Renesas Electronics products, refer to the latest product information (data sheets, user's manuals, application notes, "General Notes for Handling and Using Semiconductor Devices" in the reliability handbook, etc.), and ensure that usage conditions are within the ranges specified by Renesas Electronics with respect to maximum ratings, operating power supply voltage range, heat dissipation characteristics, installation, etc. Renesas Electronics disclaims any and all liability for any malfunctions, failure or accident arising out of the use of Renesas Electronics products outside of such specified ranges.
7. Although Renesas Electronics endeavors to improve the quality and reliability of Renesas Electronics products, semiconductor products have specific characteristics, such as the occurrence of failure at a certain rate and malfunctions under certain use conditions. Unless designated as a high reliability product or a product for harsh environments in a Renesas Electronics data sheet or other Renesas Electronics document, Renesas Electronics products are not subject to radiation resistance design. You are responsible for implementing safety measures to guard against the possibility of bodily injury, injury or damage caused by fire, and/or danger to the public in the event of a failure or malfunction of Renesas Electronics products, such as safety design for hardware and software, including but not limited to redundancy, fire control and malfunction prevention, appropriate treatment for aging degradation or any other appropriate measures. Because the evaluation of microcomputer software alone is very difficult and impractical, you are responsible for evaluating the safety of the final products or systems manufactured by you.
8. Please contact a Renesas Electronics sales office for details as to environmental matters such as the environmental compatibility of each Renesas Electronics product. You are responsible for carefully and sufficiently investigating applicable laws and regulations that regulate the inclusion or use of controlled substances, including without limitation, the EU RoHS Directive, and using Renesas Electronics products in compliance with all these applicable laws and regulations. Renesas Electronics disclaims any and all liability for damages or losses occurring as a result of your noncompliance with applicable laws and regulations.
9. Renesas Electronics products and technologies shall not be used for or incorporated into any products or systems whose manufacture, use, or sale is prohibited under any applicable domestic or foreign laws or regulations. You shall comply with any applicable export control laws and regulations promulgated and administered by the governments of any countries asserting jurisdiction over the parties or transactions.
10. It is the responsibility of the buyer or distributor of Renesas Electronics products, or any other party who distributes, disposes of, or otherwise sells or transfers the product to a third party, to notify such third party in advance of the contents and conditions set forth in this document.
11. This document shall not be reprinted, reproduced or duplicated in any form, in whole or in part, without prior written consent of Renesas Electronics.
12. Please contact a Renesas Electronics sales office if you have any questions regarding the information contained in this document or Renesas Electronics products.

(Note1) "Renesas Electronics" as used in this document means Renesas Electronics Corporation and also includes its directly or indirectly controlled subsidiaries.

(Note2) "Renesas Electronics product(s)" means any product developed or manufactured by or for Renesas Electronics.

(Rev.4.0-1 November 2017)

Corporate Headquarters

TOYOSU FORESIA, 3-2-24 Toyosu,
Koto-ku, Tokyo 135-0061, Japan
www.renesas.com

Contact Information

For further information on a product, technology, the most up-to-date version of a document, or your nearest sales office, please visit:
www.renesas.com/contact/

Trademarks

Renesas and the Renesas logo are trademarks of Renesas Electronics Corporation. All trademarks and registered trademarks are the property of their respective owners.