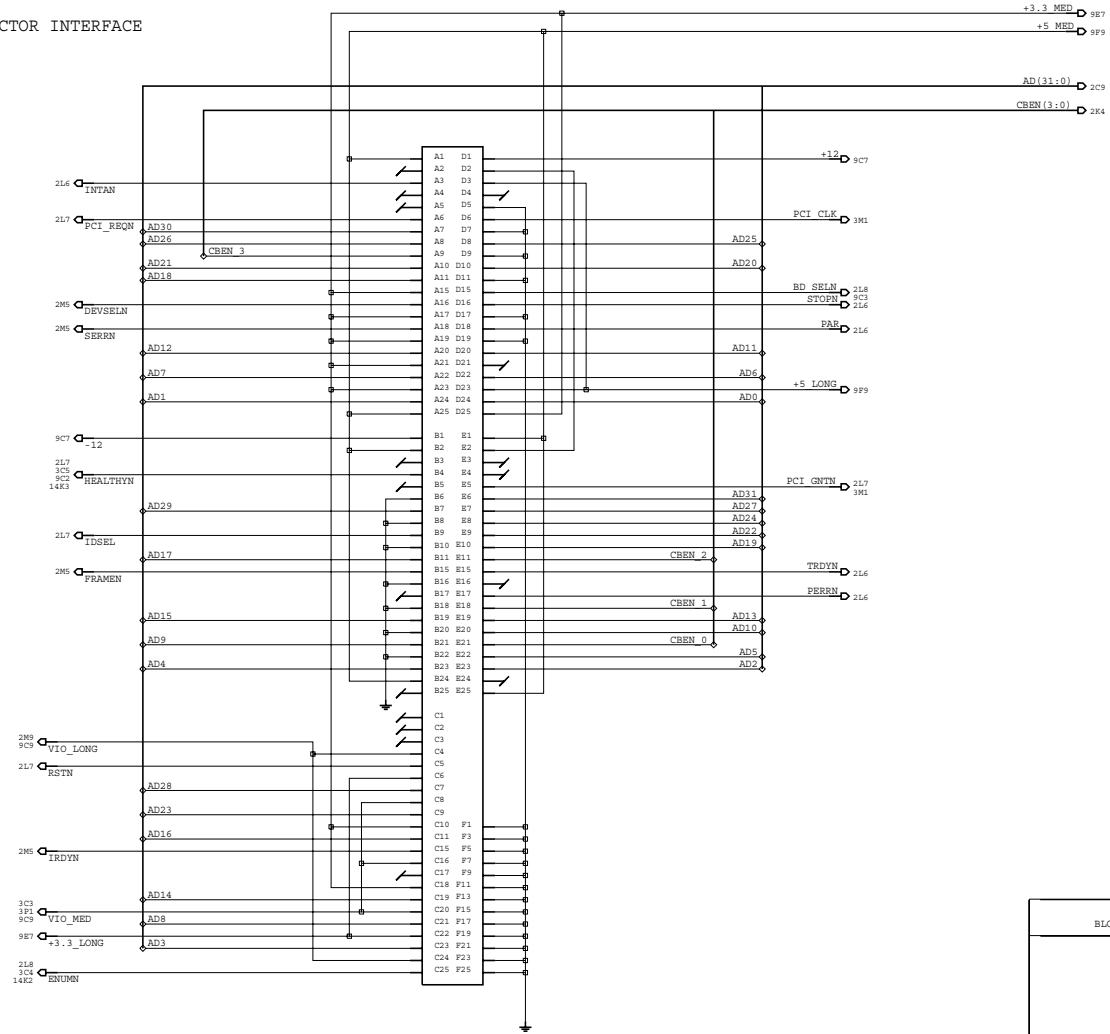


COMPACTPCI CONNECTOR INTERFACE

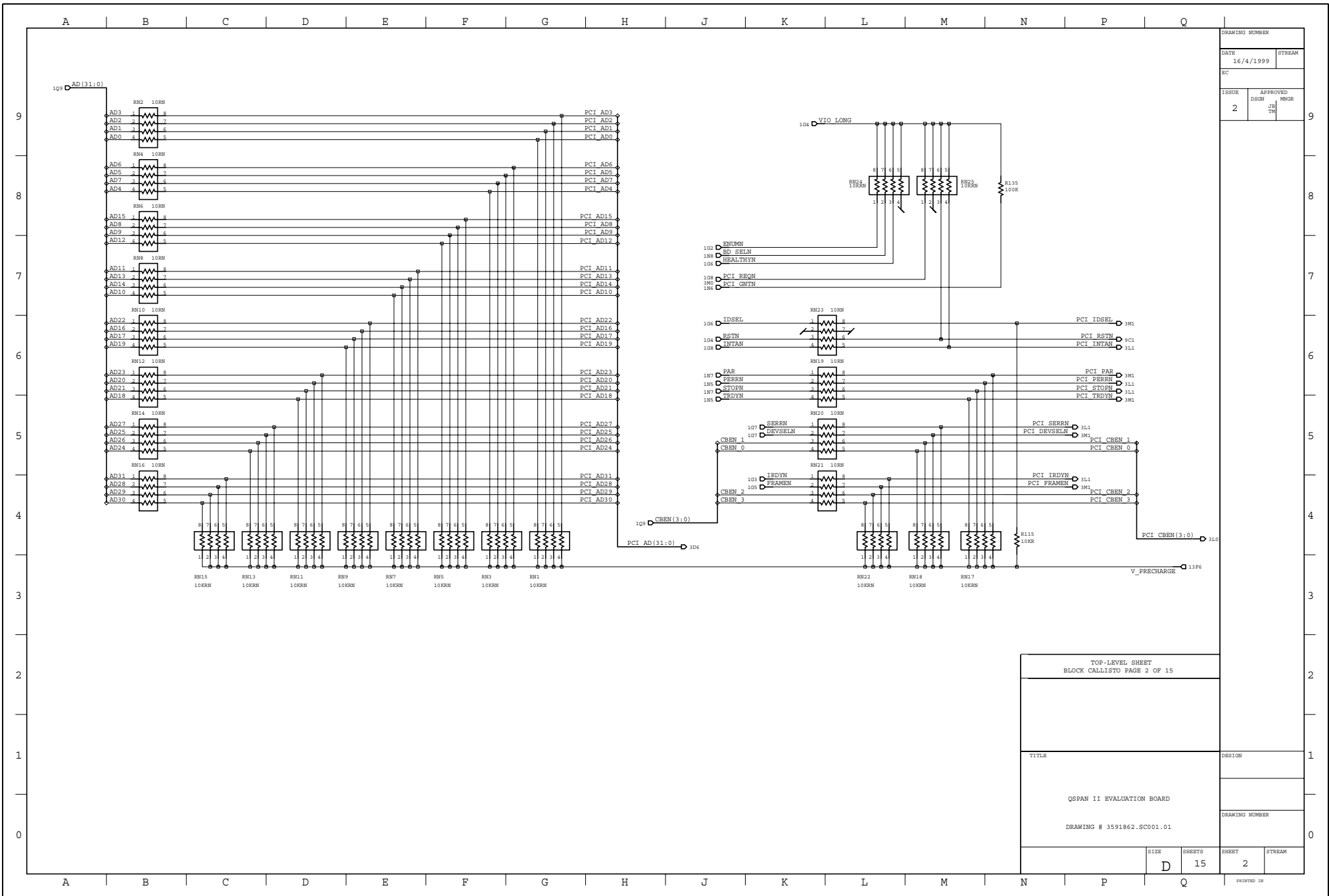


| DRAWING NUMBER |        |
|----------------|--------|
| DATE           | STREAM |
| 16/4/1999      |        |
| EC             |        |

| ISSUE | APPROVED          |
|-------|-------------------|
| 2     | DSGN<br>JBI<br>TW |

|  |        |                |        |
|--|--------|----------------|--------|
| TOP-LEVEL SHEET<br>BLOCK CALLISTO PAGE 1 OF 15 |        |                |        |
| TITLE  |        | DESIGN         |        |
| QSPAN II EVALUATION BOARD                      |        |                |        |
| DRAWING # 3591862.SC001.01                     |        | DRAWING NUMBER |        |
| SIZE   | SHEETS | SHEET          | STREAM |
| D  | 15     | 1              |        |

PRINTED IN



DRAWING NUMBER

DATE 16/4/1999

STREAM

EC

ISSUE 2

APPROVED DSGN JBT

REVISOR TTK

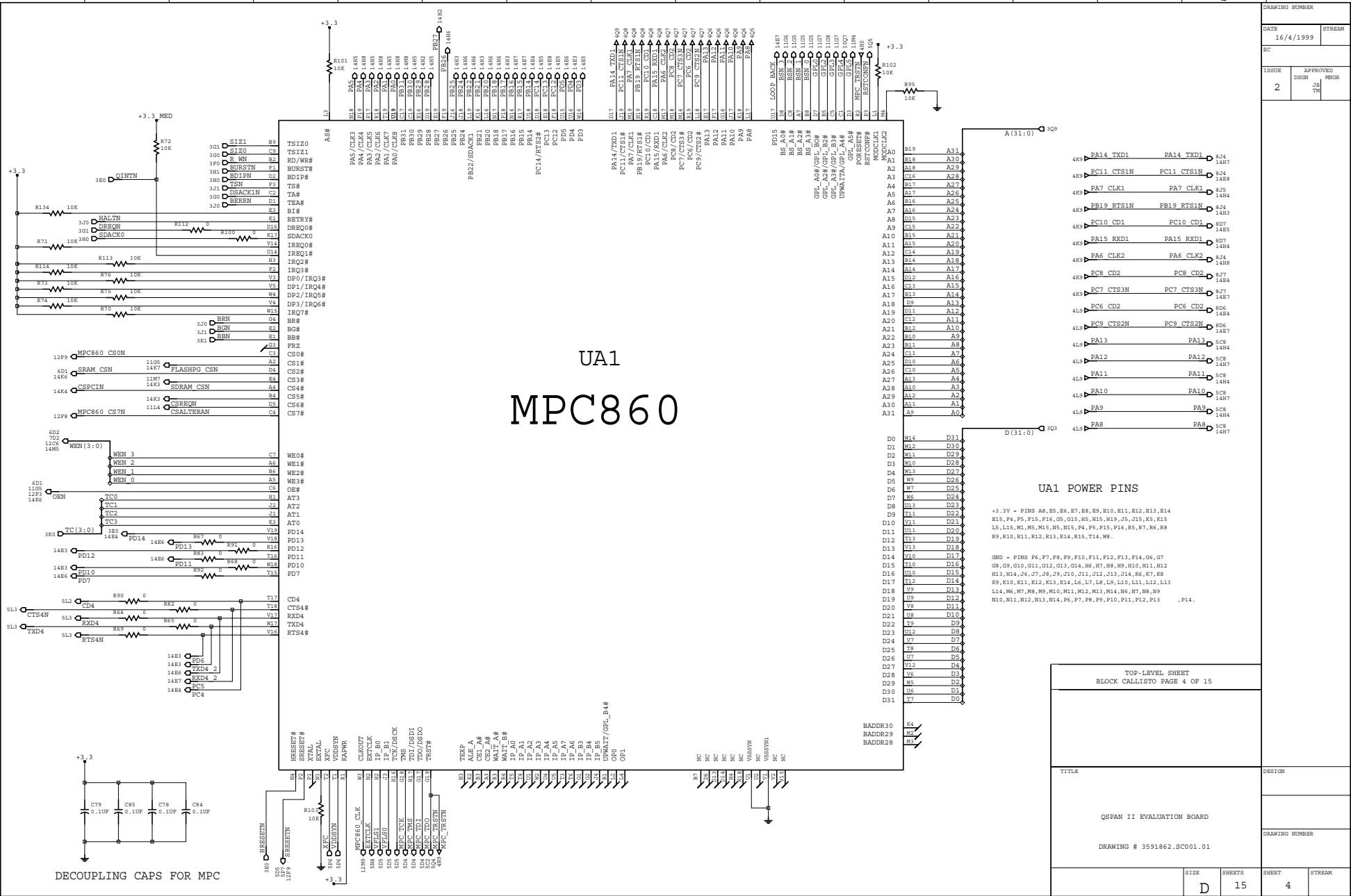
|  |        |        |        |
|--|--------|--------|--------|
| TOP-LEVEL SHEET<br>BLOCK CALLISTO PAGE 2 OF 15 |        |        |        |
| TITLE  |        | DESIGN |        |
| QSPAN II EVALUATION BOARD                      |        |        |        |
| DRAWING # 3591862.SC001.01                     |        |        |        |
| SIZE   | SHEETS | SHEET  | STREAM |
| D  | 15     | 2      |        |

PRINTED IN



|                |           |
|----------------|-----------|
| DRAWING NUMBER |           |
| DATE           | STREAM    |
| 16/4/1999      |           |
| ISSUE          | APPROVED  |
| 2              | DESIGN    |
|                | DATE      |
|                | 16/4/1999 |

# UA1 MPC860

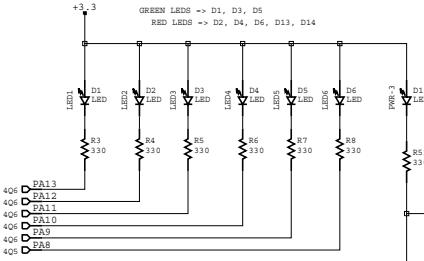


### UA1 POWER PINS

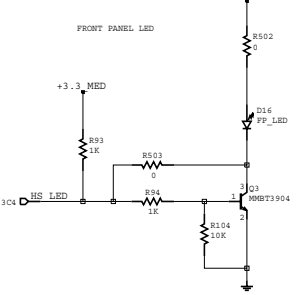
+3.3V - PINS A9, B5, B6, B7, B8, B9, E10, E11, E12, E13, E14, E15, F4, F5, F15, F16, G5, G15, H5, H15, H19, J5, J15, K5, K15, L5, L15, M1, M5, M15, N5, N15, P4, P5, P15, P16, R5, R7, R6, R8, R9, R10, R11, R12, R13, R14, R15, T14, W8.

GND - PINS P6, F7, F8, F9, F10, F11, F12, F13, F14, G6, G7, G8, G9, G10, G11, G12, G13, G14, H6, H7, H8, H9, H10, H11, H12, H13, H14, J6, J7, J8, J9, J10, J11, J12, J13, J14, K6, K7, K8, K9, K10, K11, K12, K13, K14, L6, L7, L8, L9, L10, L11, L12, L13, L14, M6, M7, M8, M9, M10, M11, M12, M13, M14, M6, M7, M8, M9, M10, M11, M12, M13, M14, N6, F7, F8, F9, F10, F11, F12, F13, F14.

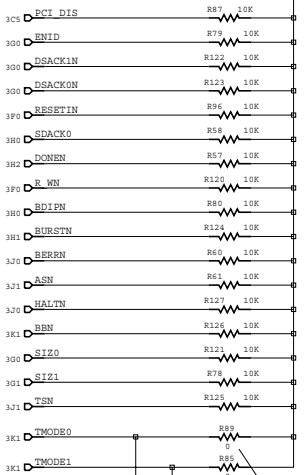
|  |        |        |        |
|--|--------|--------|--------|
| TOP-LEVEL SHEET<br>BLOCK CALLISTO PAGE 4 OF 15 |        |        |        |
| TITLE  |        | DESIGN |        |
| QSPAN II EVALUATION BOARD                      |        |        |        |
| DRAWING # 3591862.SC001.01                     |        |        |        |
| SIZE   | SHEETS | SHEET  | STREAM |
| D  | 15     | 4      |        |



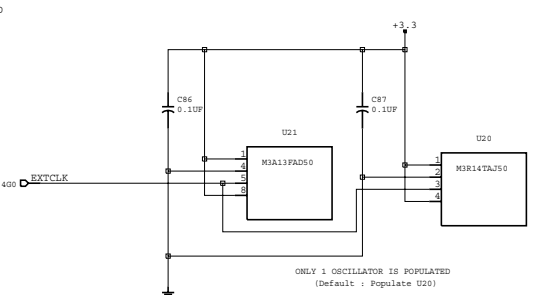
GENERAL PURPOSE LEDs



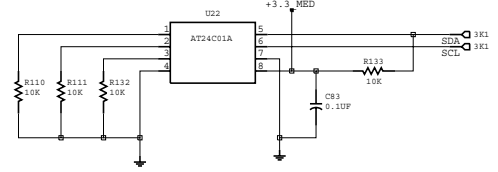
FRONT PANEL LED



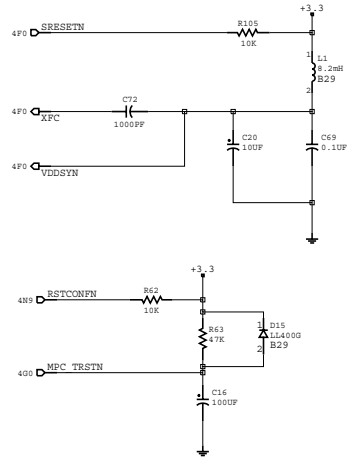
Default : Do not populate R85 and R89



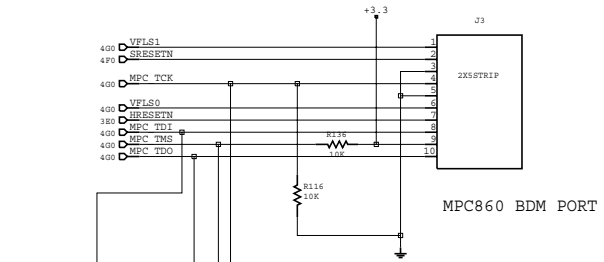
ONLY 1 OSCILLATOR IS POPULATED (Default : Populate U20)



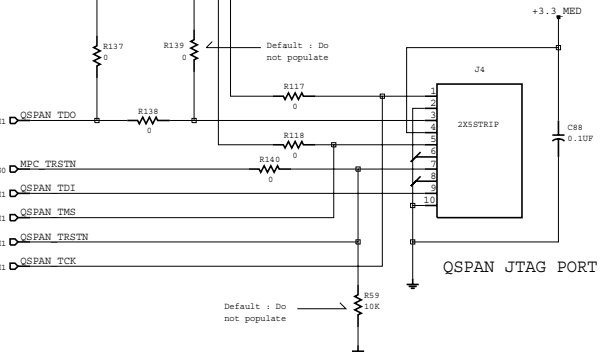
AT24C01A



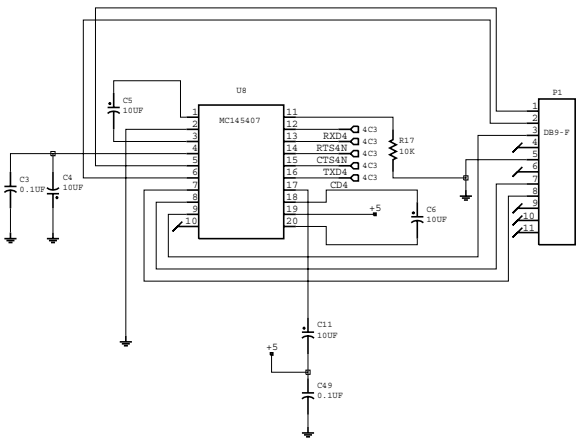
POWER ON RESET CIRCUIT FOR MPC860



MPC860 BDM PORT

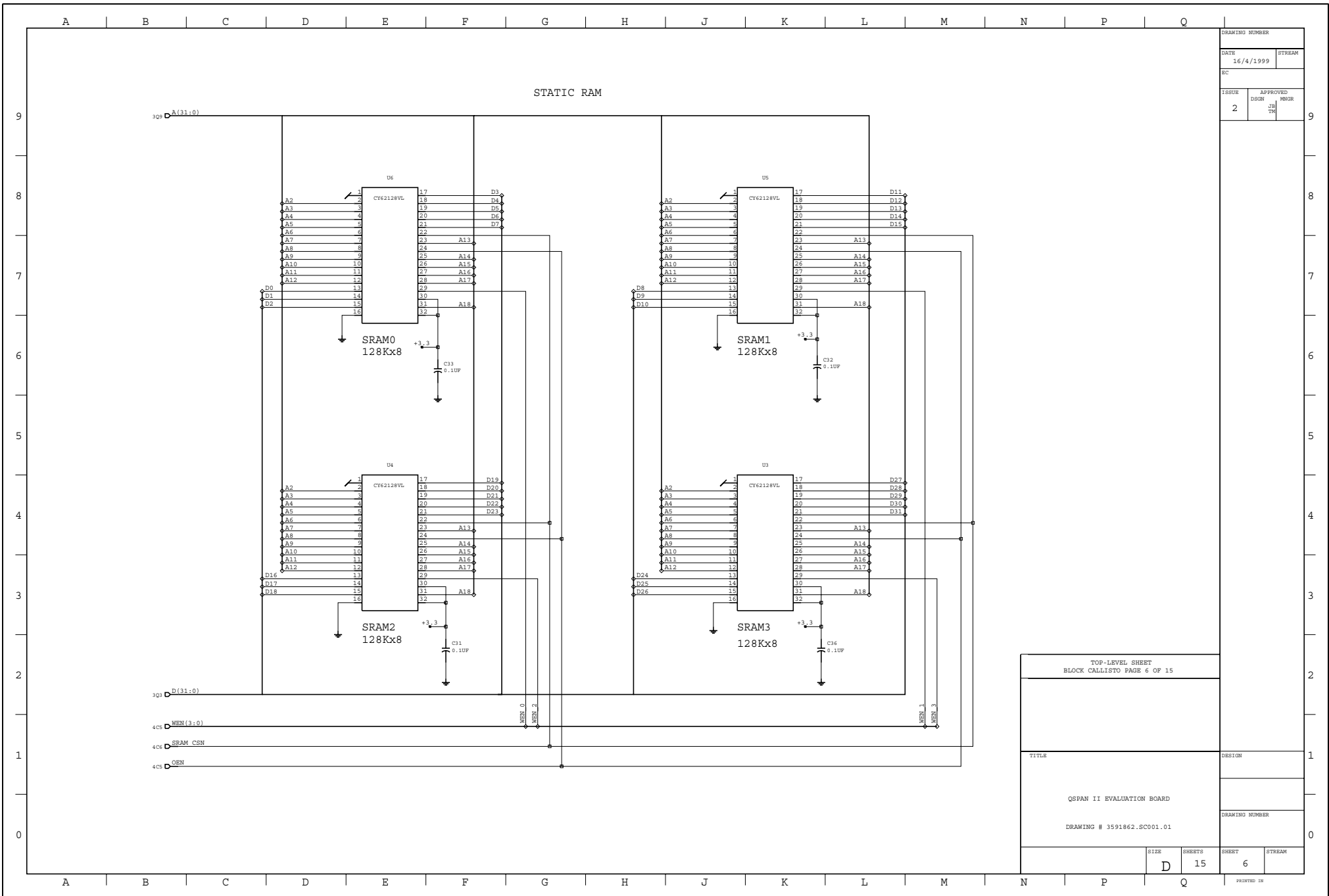


QSPAN JTAG PORT



NC145407

|                             |        |                |        |
|-----------------------------|--------|----------------|--------|
| TOP-LEVEL SHEET             |        |                |        |
| BLOCK CALLISTO PAGE 5 OF 15 |        |                |        |
| TITLE                       |        | DESIGN         |        |
| QSPAN II EVALUATION BOARD   |        |                |        |
| DRAWING # 3591862.SC001.01  |        | DRAWING NUMBER |        |
| SIZE                        | SHEETS | SHEET          | STREAM |
| D                           | 15     | 5              |        |



|                |                     |
|----------------|---------------------|
| DRAWING NUMBER |                     |
| DATE           | STREAM              |
| 16/4/1999      |                     |
| EC             |                     |
| ISSUE          | APPROVED            |
| 2              | DSGN JBT<br>HWER TW |

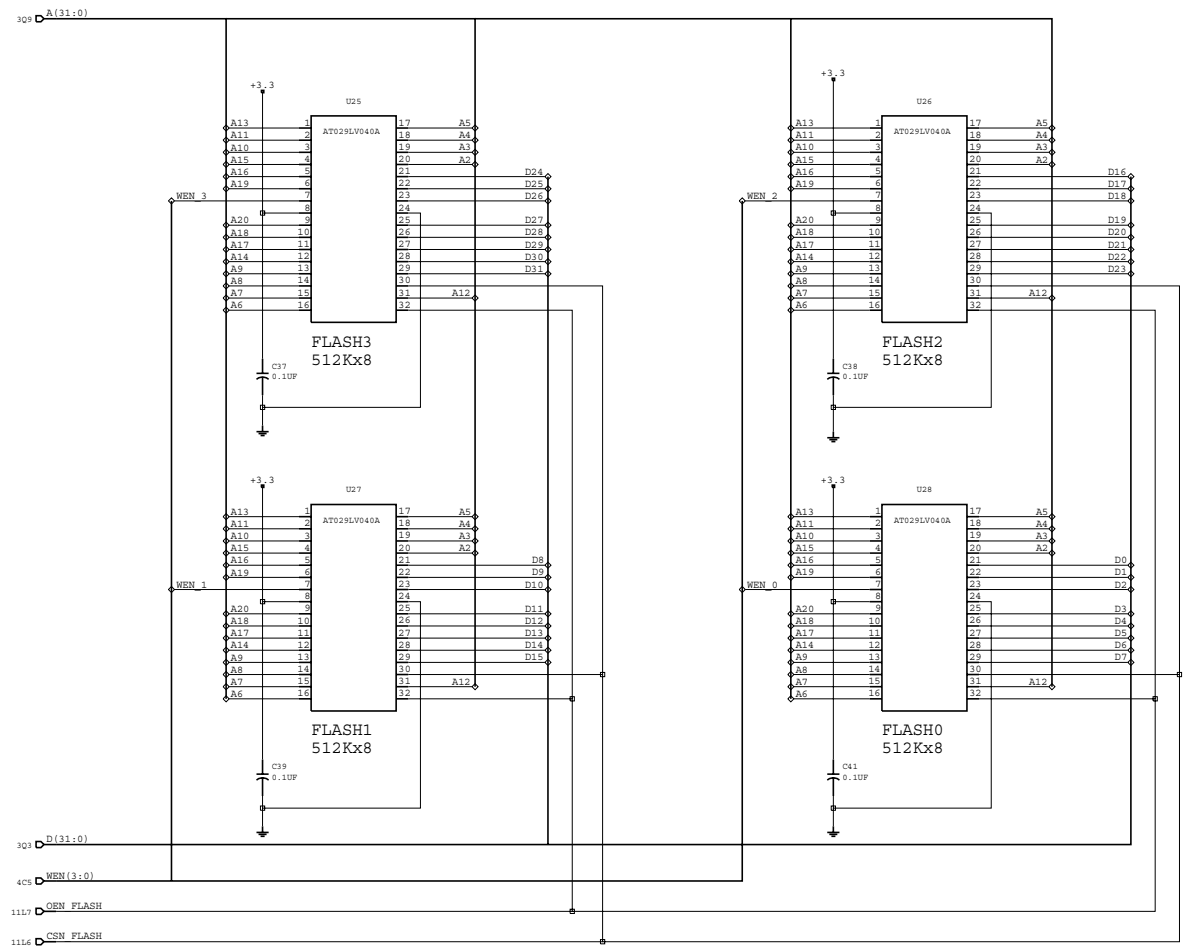
|  |        |                |        |
|--|--------|----------------|--------|
| TOP-LEVEL SHEET<br>BLOCK CALLISTO PAGE 6 OF 15 |        |                |        |
| TITLE  |        | DESIGN         |        |
| QSPAN II EVALUATION BOARD                      |        |                |        |
| DRAWING # 3591862.SC001.01                     |        | DRAWING NUMBER |        |
| SIZE   | SHEETS | SHEET          | STREAM |
| D  | 15     | 6              |        |

PRINTED IN

A B C D E F G H J K L M N P Q

|                |          |
|----------------|----------|
| DRAWING NUMBER |          |
| DATE           | STREAM   |
| 16/4/1999      |          |
| EC             |          |
| ISSUE          | APPROVED |
| 2              | DSGN JBT |
|                | HWER TW  |

FLASH



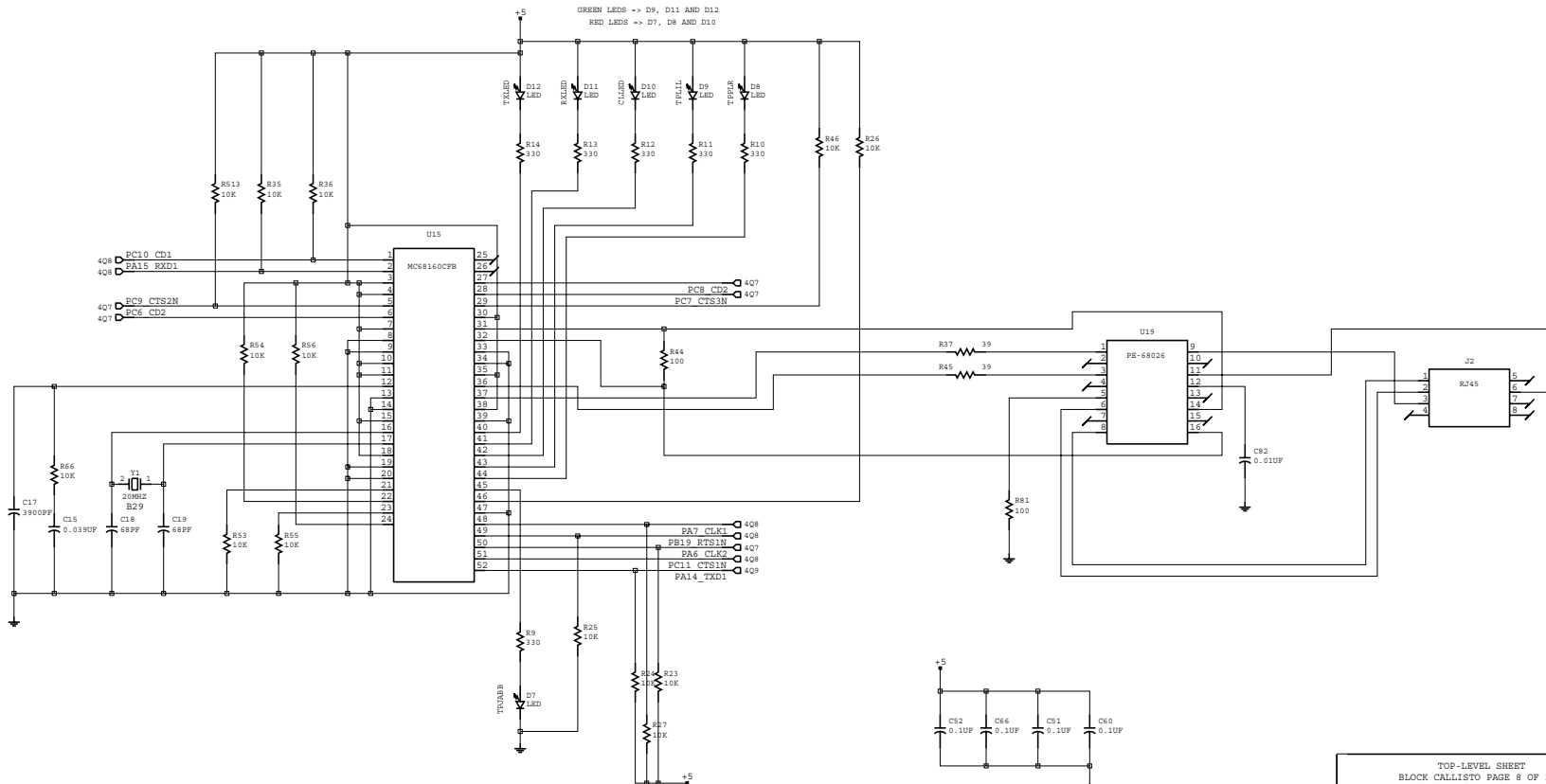
|  |        |       |        |
|--|--------|-------|--------|
| TOP-LEVEL SHEET<br>BLOCK CALLISTO PAGE 7 OF 15 |        |       |        |
| TITLE  |        |       |        |
| QSPAN II EVALUATION BOARD                      |        |       |        |
| DRAWING # 3591862.SC001.01                     |        |       |        |
| SIZE   | SHEETS | SHEET | STREAM |
| D  | 15     | 7     |        |

A B C D E F G H J K L M N P Q

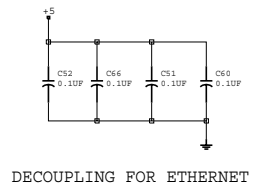
PRINTED IN

|                |          |
|----------------|----------|
| DRAWING NUMBER |          |
| DATE           | STREAM   |
| 16/4/1999      |          |
| BC             |          |
| ISSUE          | APPROVED |
| 2              | DSGN JBT |
|                | HWDR TW  |

ETHERNET



GREEN LEDES -> D9, D11 AND D12  
RED LEDES -> D7, D8 AND D10

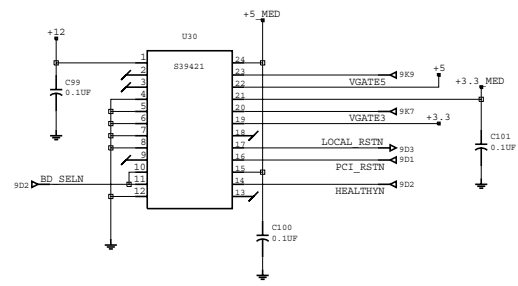
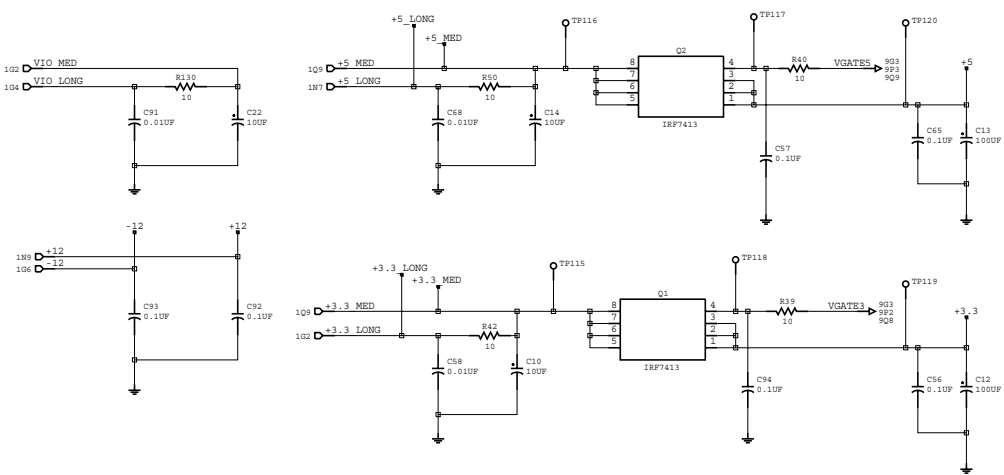


DECOUPLING FOR ETHERNET

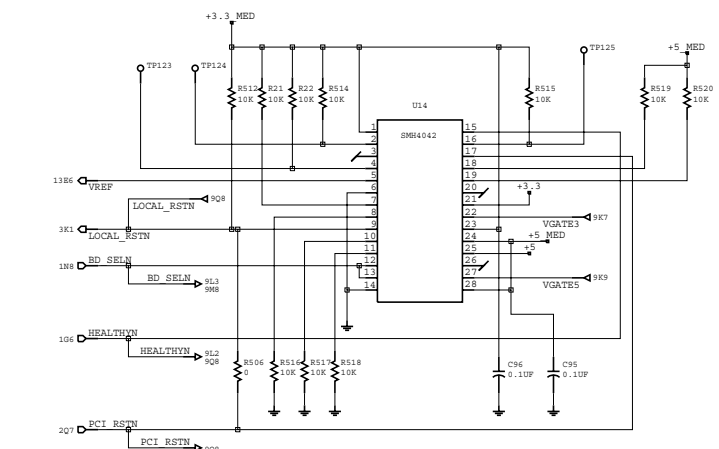
|  |        |        |        |
|--|--------|--------|--------|
| TOP-LEVEL SHEET<br>BLOCK CALLISTO PAGE 8 OF 15 |        |        |        |
| TITLE  |        | DESIGN |        |
| QSPAN II EVALUATION BOARD                      |        |        |        |
| DRAWING # 3591862.SC001.01                     |        |        |        |
| SIZE   | SHEETS | SHEET  | STREAM |
| D  | 15     | 8      |        |



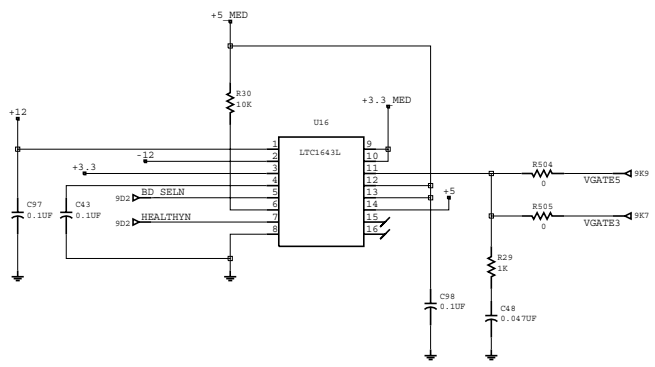
|                |          |
|----------------|----------|
| DRAWING NUMBER |          |
| DATE           | STREAM   |
| 16/4/1999      |          |
| EC             |          |
| ISSUE          | APPROVED |
| 2              | DSGN     |
|                | JBT      |
|                | TW       |



**HOT SWAP CONTROLLER OPTION #3**  
 When using S39421, do not populate  
 U14, U16, R504, R505 and R506.

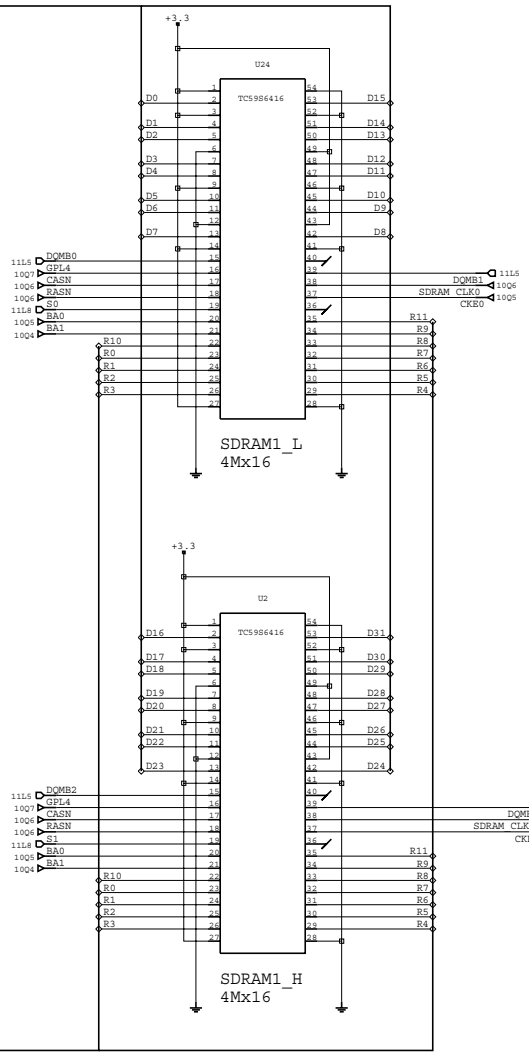
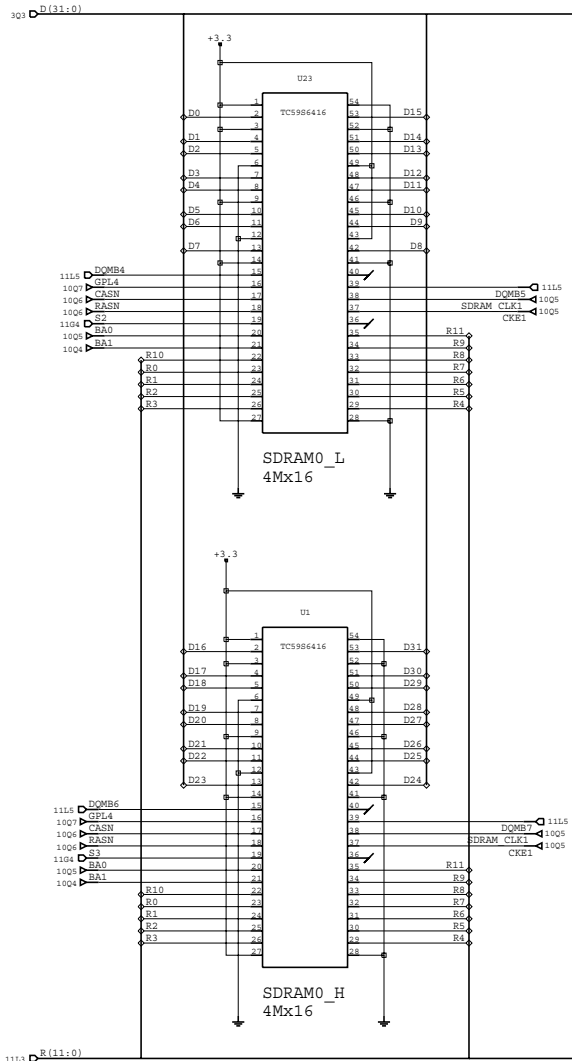
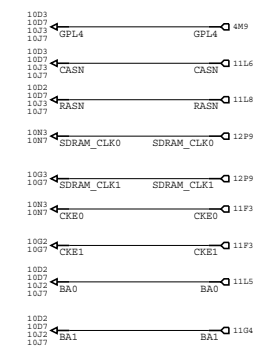
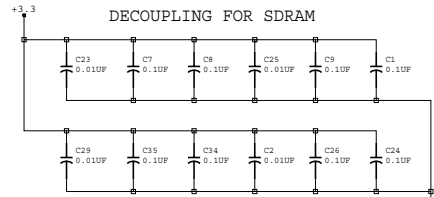


**HOT SWAP CONTROLLER OPTION #1**  
 When using SMH4042, do not populate  
 U16, U30, R504, R505 and R506.



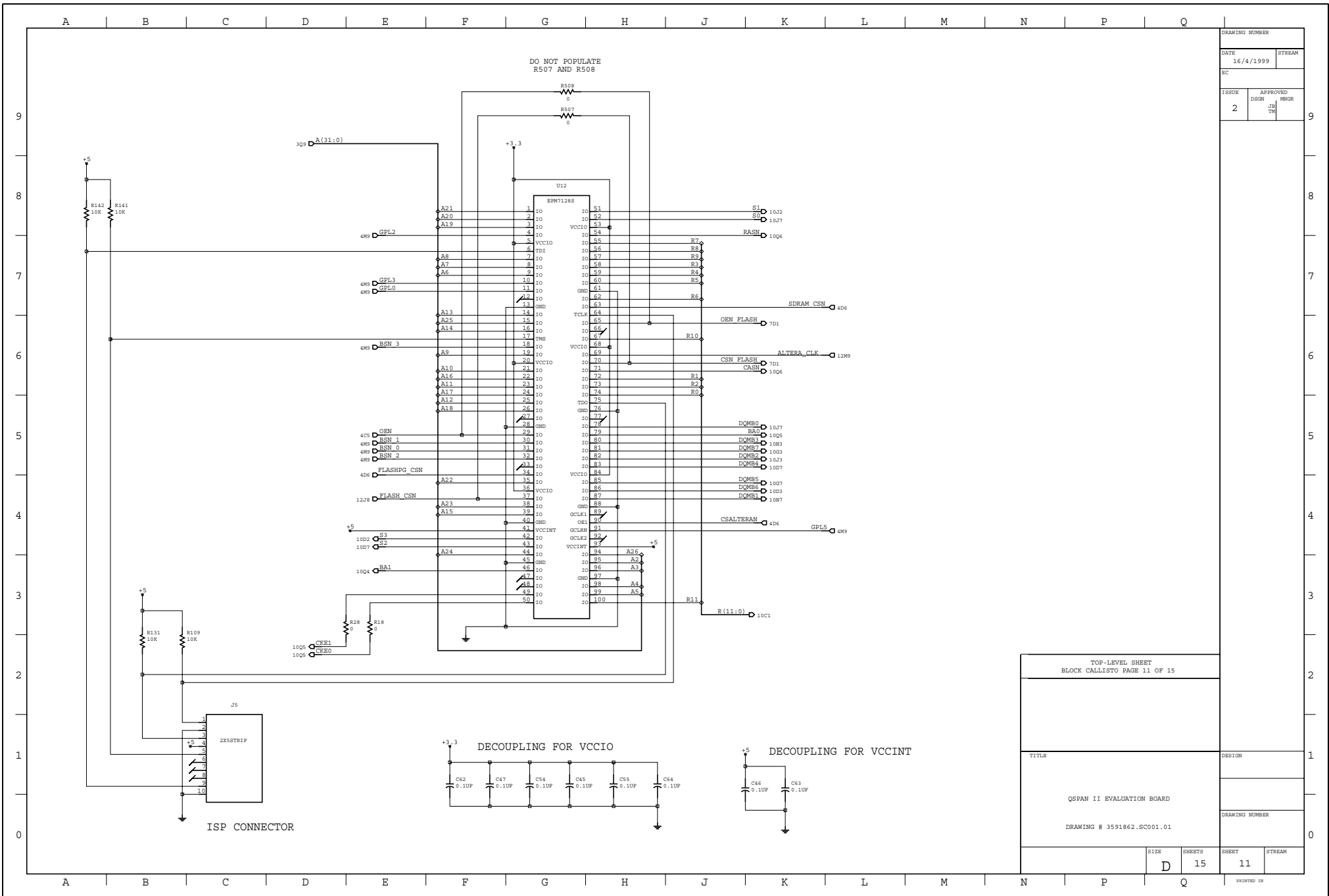
**HOT SWAP CONTROLLER OPTION #2**  
 When using LTC1643L, do not populate  
 U14 and U30.

|  |        |
|--|--------|
| TOP-LEVEL SHEET<br>BLOCK CALLISTO PAGE 9 OF 15 |        |
| TITLE  | DESIGN |
| QSPAN II EVALUATION BOARD                      |        |
| DRAWING # 3591862.SC001.01                     |        |
| SIZE   | SHEETS |
| D  | 15     |
| SHEET  | STREAM |
| 9  |        |



303 D(31:0)

1115 R(11:0)



DRAWING NUMBER

DATE 16/4/1999

STREAM

EC

ISSUE 2

APPROVED

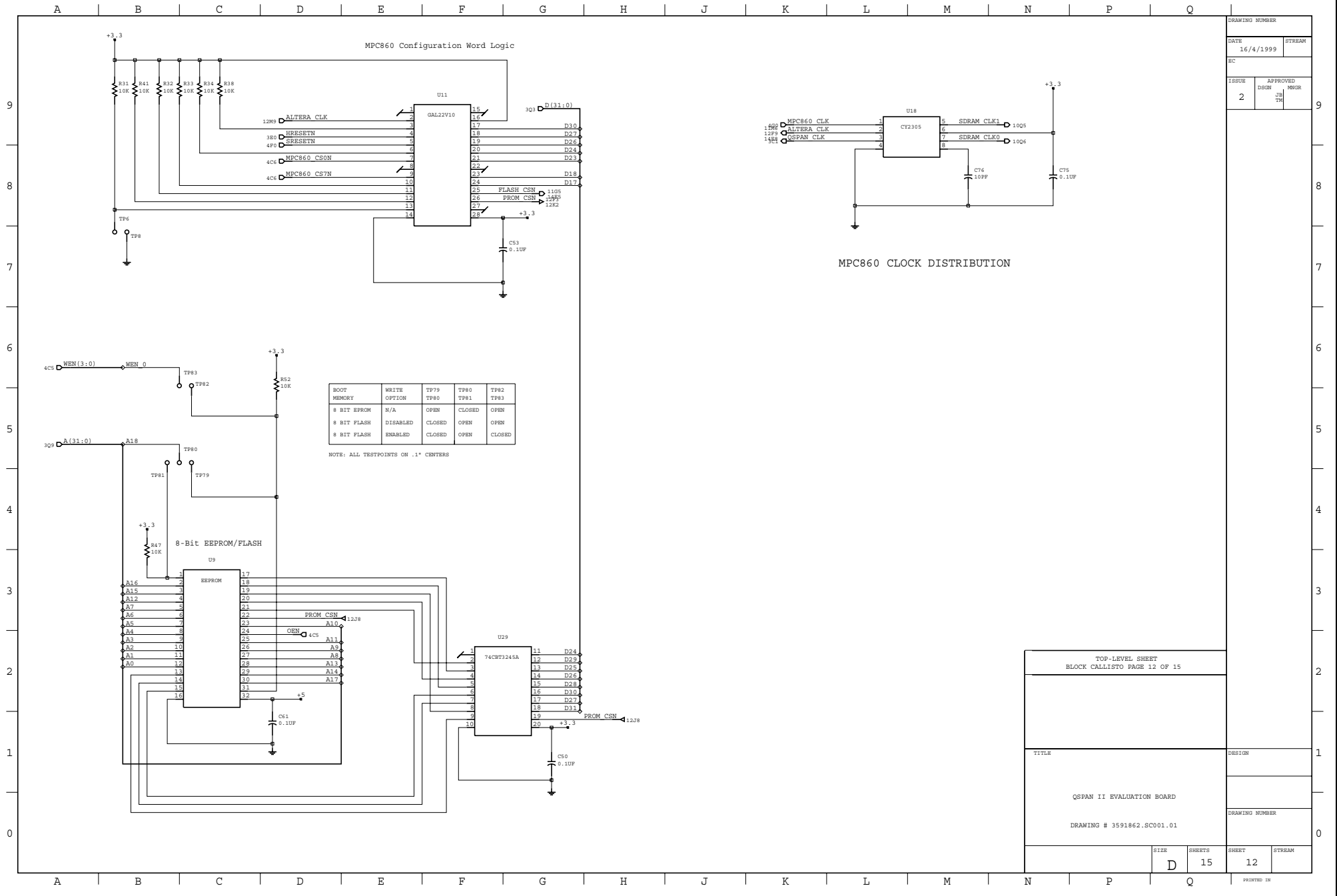
DESIGN

NUMBER

JB/TM

|   |        |        |        |
|---|--------|--------|--------|
| TOP-LEVEL SHEET<br>BLOCK CALLISTO PAGE 11 OF 15 |        |        |        |
| TITLE   |        | DESIGN |        |
| QSPAN II EVALUATION BOARD                       |        |        |        |
| DRAWING # 3591862.SC001.01                      |        |        |        |
| SIZE  | SHEETS | SHEET  | STREAM |
| D   | 15     | 11     | STREAM |

PRINTED IN



DRAWING NUMBER

DATE 16/4/1999

STREAM

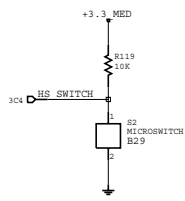
ISSUE 2

APPROVED DSGN JBT

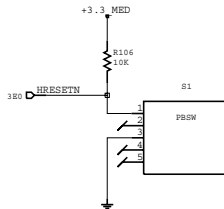
REVISD TWT

|                            |        |                              |        |
|----------------------------|--------|------------------------------|--------|
| TOP-LEVEL SHEET            |        | BLOCK CALLISTO PAGE 12 OF 15 |        |
| TITLE                      |        | DESIGN                       |        |
| QSPAN II EVALUATION BOARD  |        | DRAWING NUMBER               |        |
| DRAWING # 3591862.SC001.01 |        | DRAWING NUMBER               |        |
| SIZE                       | SHEETS | SHEET                        | STREAM |
| D                          | 15     | 12                           |        |

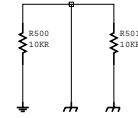
PRINTED IN



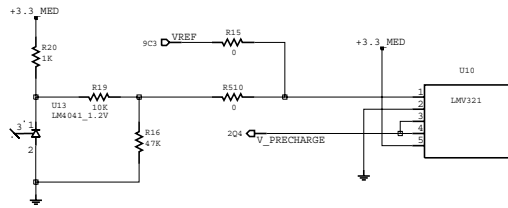
EJECTOR HANDLE SWITCH



PUSHBUTTON RESET



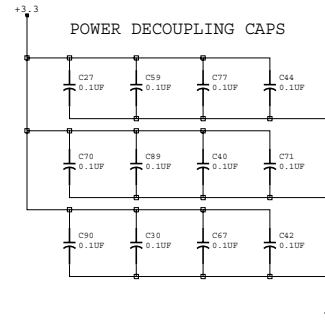
ESD PROTECTION CIRCUIT



PRECHARGE VOLTAGE REFERENCE SUPPLY

For SMH4042 Hot Swap Controller :  
Populate R15 and R510 is left open.

For S39421 and LTC1643L Hot Swap Controllers :  
Populate R510 and R15 is left open.



POWER DECOUPLING CAPS

|                              |        |                |        |
|------------------------------|--------|----------------|--------|
| DRAWING NUMBER               |        |                |        |
| DATE                         | STREAM |                |        |
| 16/4/1999                    |        |                |        |
| EC                           |        |                |        |
| ISSUE                        | DESIGN | APPROVED       | NUMBER |
| 2                            |        | JBTW           |        |
| TOP-LEVEL SHEET              |        |                |        |
| BLOCK CALLISTO PAGE 13 OF 15 |        |                |        |
| TITLE                        |        | DESIGN         |        |
| QSPAN II EVALUATION BOARD    |        |                |        |
| DRAWING # 3591862.SC001.01   |        | DRAWING NUMBER |        |
| SIZE                         | SHEETS | SHEET          | STREAM |
| D                            | 15     | 13             |        |
| PRINTED IN                   |        |                |        |

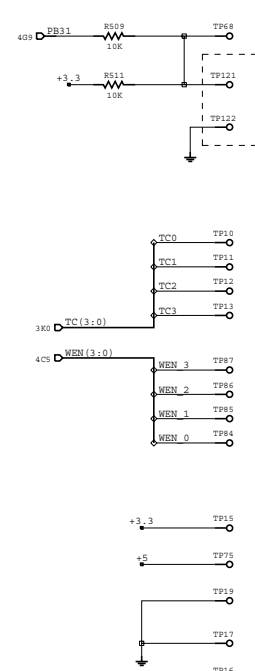
A B C D E F G H J K L M N P Q

|                |          |
|----------------|----------|
| DRAWING NUMBER |          |
| DATE           | STREAM   |
| 16/4/1999      |          |
| EC             |          |
| ISSUE          | APPROVED |
| 2              | DSGN JBT |
|                | HWER TW  |

### GENERAL PURPOSE TESTPOINTS

NOTE: ALL TESTPOINTS ARE ON .1" CENTERS

|      |            |      |     |            |      |     |             |       |
|------|------------|------|-----|------------|------|-----|-------------|-------|
| 12M9 | ALTERA CLK | TP9  | 409 | DA0        | TP27 | 301 | TSN         | TP104 |
| 301  | BREQN      | TP70 | 409 | DA2        | TP36 | 321 | SCL         | TP100 |
| 439  | EC13       | TP64 | 409 | DA4        | TP42 | 300 | HALTN       | TP97  |
| 408  | EC11 CTS1N | TP93 | 407 | DA6 CLK2   | TP47 | 320 | QINTN       | TP95  |
| 407  | EC9 CTS2N  | TP52 | 405 | DA8        | TP48 | 300 | BRN         | TP105 |
| 407  | EC7 CTS3N  | TP41 | 406 | EA10       | TP57 | 321 | BRN         | TP112 |
| 482  | EC5        | TP35 | 406 | EA12       | TP42 | 390 | RESETIN     | TP103 |
| 439  | FB15       | TP98 | 409 | EA14 TXD1  | TP77 | 380 | BDIPN       | TP102 |
| 489  | LOOP_BACK  | TP32 | 489 | EB16       | TP18 | 406 | FLASHPG_CSN | TP94  |
| 404  | ED13       | TP52 | 489 | EB18       | TP44 | 405 | OEN         | TP92  |
| 404  | ED11       | TP25 | 489 | EB20       | TP55 | 406 | SRAM_CSN    | TP107 |
| 482  | RXD4_2     | TP53 | 489 | EB22       | TP51 | 300 | SIZ0        | TP99  |
| 404  | ED7        | TP51 | 489 | EB24       | TP51 | 309 | TEST2       | TP90  |
| 439  | ED5        | TP38 | 489 | EB26       | TP61 | 309 | TEST1       | TP89  |
| 439  | ED3        | TP2  | 409 | EB28       | TP7  | 309 | TEST0       | TP88  |
| 1228 | FLASH_CSN  | TP7  | 409 | EB30       | TP78 | 304 | HS_SWITCH   | TP4   |
| 439  | EC14       | TP92 | 409 | EA1        | TP9  | 380 | SDACK0      | TP113 |
| 439  | EC12       | TP59 | 409 | EA3        | TP43 | 300 | BBERN       | TP114 |
| 408  | EC10_CD1   | TP9  | 409 | EA5        | TP4  | 301 | BREQN       | TP111 |
| 407  | EC8_CD2    | TP49 | 408 | DA7 CLK1   | TP50 | 320 | CSPCIN      | TP106 |
| 407  | EC6_CD2    | TP3  | 406 | EA9        | TP5  | 405 | CSN         | TP98  |
| 482  | FC4        | TP26 | 406 | EA11       | TP60 | 321 | BGN         | TP96  |
| 439  | FB14       | TP9  | 406 | EA13       | TP4  | 380 | HRESETN     | TP96  |
| 404  | ED14       | TP34 | 408 | DA15 RXD1  | TP77 | 380 | BURSTN      | TP9   |
| 404  | ED12       | TP29 | 489 | EB17       | TP4  | 300 | DSACK1N     | TP110 |
| 404  | ED10       | TP20 | 489 | EB19 RTS1N | TP46 | 406 | SDRAM_CSN   | TP91  |
| 483  | RXD4_2     | TP30 | 408 | EB21       | TP7  | 381 | CSREQN      | TP109 |
| 483  | ED6        | TP21 | 489 | EB23       | TP9  | 390 | B_MN        | TP108 |
| 439  | ED4        | TP33 | 380 | SDACK0     | TP58 | 301 | SIZ1        | TP101 |
|      |            |      | 489 | EB25       | TP54 | 106 | HEALTHYIN   | TP1   |
|      |            |      | 489 | EB27       | TP66 | 305 | PCI_DIS     | TP2   |
|      |            |      | 409 | EB29       | TP65 | 304 | PMEN        | TP3   |
|      |            |      |     |            |      | 102 | ENUNN       | TP5   |



|   |        |       |        |
|---|--------|-------|--------|
| TOP-LEVEL SHEET<br>BLOCK CALLISTO PAGE 14 OF 15 |        |       |        |
| TITLE   |        |       |        |
| QSPAN II EVALUATION BOARD                       |        |       |        |
| DRAWING # 3591862.SC001.01                      |        |       |        |
| SIZE  | SHEETS | SHEET | STREAM |
| D   | 15     | 14    |        |

A B C D E F G H J K L M N P Q

PRINTED IN

