

**Important Notice**

**Restrictions in Use**

IDT's ZLED7022KIT-E1 Evaluation Kit hardware and software are designed for ZLED7022 evaluation, laboratory setup, and module development only. The ZLED7022KIT-E1 Evaluation Kit hardware and software must not be used for module production or production test setups.

**Disclaimer**

IDT shall not be liable for any damages arising out of defects resulting from

- (i) delivered hard- and software
- (ii) non-observance of instructions contained in this manual and in any other documentation provided to user, or
- (iii) misuse, abuse, use under abnormal conditions or alteration by anyone other than IDT.

To the extent permitted by law, IDT hereby expressly disclaims and user expressly waives any and all warranties, whether express, implied or statutory, including, without limitation, implied warranties of merchantability and of fitness for a particular purpose, statutory warranty of non-infringement and any other warranty that may arise by reason of usage of trade, custom or course of dealing.

**Contents**

1	Kit Contents .....	2
2	Kit Description .....	2
2.1.	Overview .....	2
2.2.	Power Supply .....	2
2.3.	Interface and Setting Options .....	3
2.4.	Demo Mode .....	4
2.5.	Manual Mode .....	4
2.6.	Schematic Diagram .....	5
3	Ordering Information .....	6
4	Related Documents .....	6
5	Glossary .....	6
6	Document Revision History .....	6

**List of Figures**

Figure 2.1	ZLED7022KIT-E1 Evaluation Board (Top View) .....	3
Figure 2.2	ZLED7022KIT-E1 Schematic Diagram .....	5

**List of Tables**

Table 2.1	Current Output Settings .....	4
-----------	-------------------------------	---

## 1 Kit Contents

The ZLED7022KIT-E1 Evaluation Kit consists of the following parts:

- ZLED7022-E1 Evaluation Board VX.x
- USB cable male 2xA / male Mini-B
- Five ZLED7022 samples, UTQFN package (2mm×2mm)
- *ZLED7022KIT-E1 Evaluation Kit Start-up Information*
- *Kit Disclaimer*

The ZLED7022KIT-E1 Evaluation Kit is fully assembled and ready for immediate operation.

## 2 Kit Description

### 2.1. Overview

The ZLED7022KIT-E1 Evaluation Kit provides a quick and easy method for evaluating the ZLED7022 within its basic application circuit. An on-board generator demonstrates the ZLED7022's Pulse Count Control (PCC) digital brightness control feature. Reading the *ZLED7022 Data Sheet* before using the Evaluation Kit is recommended for understanding the operation of the ZLED7022 and the Evaluation Board.

The ZLED7022 is a low-noise, constant-frequency charge pump DC/DC converter that can drive up to six LED channels, providing a programmable constant current level ranging from 1.8mA to 20mA per LED channel. The ZLED7022's current sinks can operate in parallel for driving higher current LEDs as well. The ZLED7022's low dropout current sinks are capable of driving most types of LEDs with forward voltages as high as 4.7V at full current with a VCC input supply of 2.8V to 5.5V.

The Evaluation Board contains a standard 5-pin terminal connector to allow the user to easily interface with the microcontroller and the ZLED7022 to evaluate its functions, features, and performance. The Evaluation Board also has two push-buttons to send commands and change the operation mode of the ZLED7022.

Figure 2.1 shows the top view of the populated kit PCB.

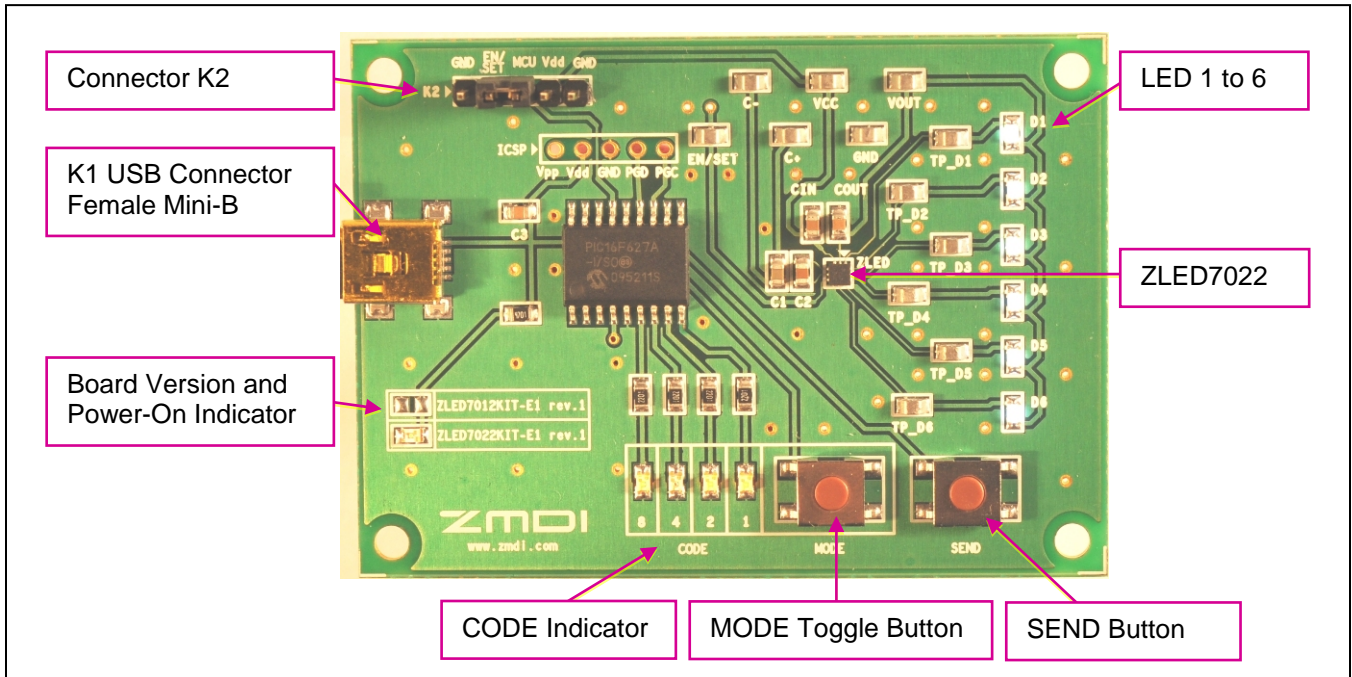
### 2.2. Power Supply

For easy operation with a 5V supply, the on-board female USB Mini-B connector K1 can be connected via the enclosed cable to a USB A connector of a PC or USB power supply. Since the maximum supply current can reach about 140mA at the highest brightness level, the cable provides two type A connectors (Y cable) in order to not exceed the USB unit load of 100mA.

To operate the kit over the whole supply voltage range of 2.8V to 5.5V, an external power supply can be connected to the Vdd and GND pins of the K2 header.

Since the product family members ZLED7012 and ZLED7022 use the same kit PCB differing only in the number of current channels, the red power indicator LED D11 (for the ZLED7012KIT-E1 Evaluation Kit) or D12 (for the ZLED7022KIT-E1 Evaluation Kit) will automatically point to the valid kit type when power is attached.

Figure 2.1 ZLED7022KIT-E1 Evaluation Board (Top View)



### 2.3. Interface and Setting Options

K1 – Female USB Mini-B connector for USB power supply. Data pins are not connected.

K2 – Header with the following pins:

- 1 – GND            Ground. Sets the ZLED7022 to the low current shut-down mode when connected to pin 2 for longer than 500ms.
- 2 – EN/SET        PCC programming input of the ZLED7022.  
Can be connected to an external pulse generator or to pin 3 to use the on-board pulse generator or to pin 1 to set ZLED7022 to the low-current shut-down mode.
- 3 – MCU            Pulse code sequence output of the microcomputer.
- 4 – Vdd            External supply voltage of 2.8V to 5.5V.
- 5 – GND            Ground.

ICSP – Contact pads of the microcomputer programming interface.

MODE button – Toggles the PCC pulse count number.

SEND button – Programs the PCC pulse count number to the ZLED7022.

CODE indicator LEDs – Indicates preset PCC pulse count number in hex code.

Test pins – Provide access to all I/Os of the ZLED7022.

LEDs D1 to D6 – Driven by ZLED7022’s outputs D0 to D5.

(Note the difference in denotation for LED numbers between the ZLED7022 and the Evaluation Board LEDs.)

## 2.4. Demo Mode

To run the demo mode, the EN/SET and MCU pins of the header K2 must be connected by a jumper (the factory-default jumper position on delivery). After the power-on and the microcomputer initialization are completed, the CODE LEDs indicate the number 0xF with all four yellow LEDs glowing. Starting with the highest current level, the pulse count is continuously incremented by the microcomputer and programmed into the ZLED7022 after a hold time of about 0.5 seconds on each brightness level. The firmware of the microcomputer generates programming pulses of about 20 $\mu$ s duration.

## 2.5. Manual Mode

When the jumper connects the EN/SET and MCU pins on K2, consecutively pressing the MODE button will toggle the PCC pulse count to the corresponding hex code in the  $\mu$ C. This number is displayed by the CODE indicator LEDs. After the desired value is reached, pressing the SEND button programs the preset pulse sequence into the ZLED7022 and changes the current level according to Table 2.1.

Entering 0x0 causes the  $\mu$ C to hold the EN/SET signal at low potential for more than 500ms, which switches the ZLED7022 into the shut-off mode. Entering 0xF restarts the demo mode.

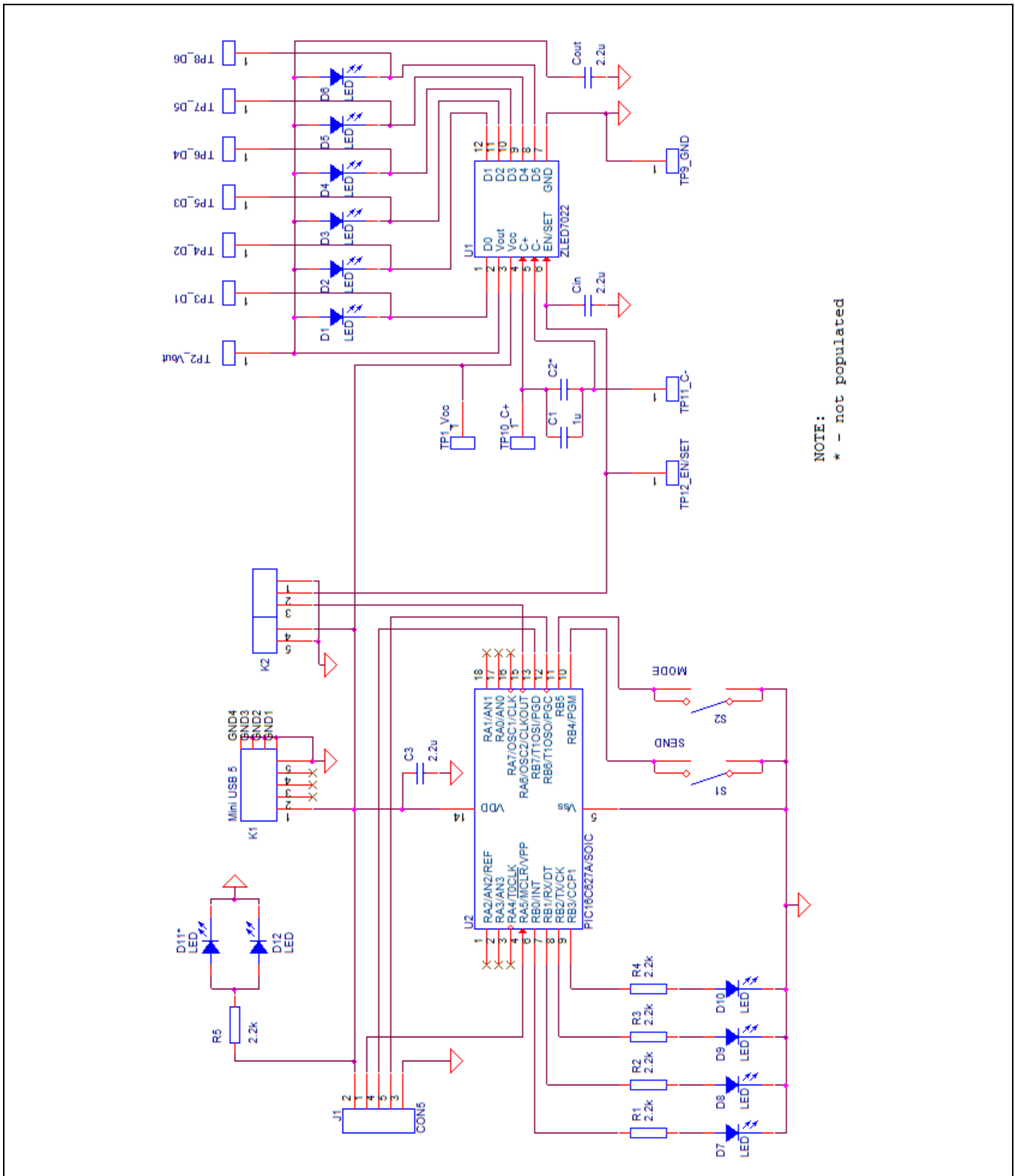
With the jumper on the K2 header removed, an external PCC sequence source can be connected between the EN/SET and GND pins. For signal levels and timing, refer to the data sheet.

**Table 2.1** Current Output Settings

PCC Pulse Count	Hex CODE Display	Current Output per Channel (mA)
-	0x0	Causes the $\mu$ C to hold the EN/SET input at low potential for longer than 500 ms, which will set the IC into the shut-off mode.
1	0x1	<b>20.0</b>
2	0x2	<b>17.0</b>
3	0x3	<b>14.0</b>
4	0x4	<b>12.0</b>
5	0x5	<b>10.0</b>
6	0x6	<b>8.6</b>
7	0x7	<b>7.0</b>
8	0x8	<b>6.0</b>
9	0x9	<b>5.0</b>
10	0xA	<b>4.2</b>
11	0xB	<b>3.6</b>
12	0xC	<b>3.0</b>
13	0xD	<b>2.4</b>
14	0xE	<b>1.8</b>
-	0xF	Not part of the code range of the ZLED7022. Will cause the $\mu$ C to start the demo mode.

2.6. Schematic Diagram

Figure 2.2 ZLED7022KIT-E1 Schematic Diagram



NOTE:  
\* - not populated

### 3 Ordering Information

Product Sales Code	Description
ZLED7022KIT-E1	ZLED7022KIT-E1 Evaluation Kit V1.0 incl. USB cable and 5 IC samples

### 4 Related Documents

Document
ZLED7022 Datasheet

Visit [www.IDT.com/ZLED7022](http://www.IDT.com/ZLED7022) or contact your nearest sales office for the latest version of these documents.

### 5 Glossary

Term	Description
ICSP	In Circuit Serial Programming
μC	Microcontroller
PCB	Printed Circuit Board
USB	Universal Serial Bus

### 6 Document Revision History

Revision	Date	Description
1.0	December 7, 2010	Initial release
	April 18, 2016	Changed to IDT branding.

## Notice

1. Descriptions of circuits, software and other related information in this document are provided only to illustrate the operation of semiconductor products and application examples. You are fully responsible for the incorporation or any other use of the circuits, software, and information in the design of your product or system. Renesas Electronics disclaims any and all liability for any losses and damages incurred by you or third parties arising from the use of these circuits, software, or information.
2. Renesas Electronics hereby expressly disclaims any warranties against and liability for infringement or any other claims involving patents, copyrights, or other intellectual property rights of third parties, by or arising from the use of Renesas Electronics products or technical information described in this document, including but not limited to, the product data, drawings, charts, programs, algorithms, and application examples.
3. No license, express, implied or otherwise, is granted hereby under any patents, copyrights or other intellectual property rights of Renesas Electronics or others.
4. You shall not alter, modify, copy, or reverse engineer any Renesas Electronics product, whether in whole or in part. Renesas Electronics disclaims any and all liability for any losses or damages incurred by you or third parties arising from such alteration, modification, copying or reverse engineering.
5. Renesas Electronics products are classified according to the following two quality grades: "Standard" and "High Quality". The intended applications for each Renesas Electronics product depends on the product's quality grade, as indicated below.
  - "Standard": Computers; office equipment; communications equipment; test and measurement equipment; audio and visual equipment; home electronic appliances; machine tools; personal electronic equipment; industrial robots; etc.
  - "High Quality": Transportation equipment (automobiles, trains, ships, etc.); traffic control (traffic lights); large-scale communication equipment; key financial terminal systems; safety control equipment; etc.Unless expressly designated as a high reliability product or a product for harsh environments in a Renesas Electronics data sheet or other Renesas Electronics document, Renesas Electronics products are not intended or authorized for use in products or systems that may pose a direct threat to human life or bodily injury (artificial life support devices or systems; surgical implantations; etc.), or may cause serious property damage (space system; undersea repeaters; nuclear power control systems; aircraft control systems; key plant systems; military equipment; etc.). Renesas Electronics disclaims any and all liability for any damages or losses incurred by you or any third parties arising from the use of any Renesas Electronics product that is inconsistent with any Renesas Electronics data sheet, user's manual or other Renesas Electronics document.
6. When using Renesas Electronics products, refer to the latest product information (data sheets, user's manuals, application notes, "General Notes for Handling and Using Semiconductor Devices" in the reliability handbook, etc.), and ensure that usage conditions are within the ranges specified by Renesas Electronics with respect to maximum ratings, operating power supply voltage range, heat dissipation characteristics, installation, etc. Renesas Electronics disclaims any and all liability for any malfunctions, failure or accident arising out of the use of Renesas Electronics products outside of such specified ranges.
7. Although Renesas Electronics endeavors to improve the quality and reliability of Renesas Electronics products, semiconductor products have specific characteristics, such as the occurrence of failure at a certain rate and malfunctions under certain use conditions. Unless designated as a high reliability product or a product for harsh environments in a Renesas Electronics data sheet or other Renesas Electronics document, Renesas Electronics products are not subject to radiation resistance design. You are responsible for implementing safety measures to guard against the possibility of bodily injury, injury or damage caused by fire, and/or danger to the public in the event of a failure or malfunction of Renesas Electronics products, such as safety design for hardware and software, including but not limited to redundancy, fire control and malfunction prevention, appropriate treatment for aging degradation or any other appropriate measures. Because the evaluation of microcomputer software alone is very difficult and impractical, you are responsible for evaluating the safety of the final products or systems manufactured by you.
8. Please contact a Renesas Electronics sales office for details as to environmental matters such as the environmental compatibility of each Renesas Electronics product. You are responsible for carefully and sufficiently investigating applicable laws and regulations that regulate the inclusion or use of controlled substances, including without limitation, the EU RoHS Directive, and using Renesas Electronics products in compliance with all these applicable laws and regulations. Renesas Electronics disclaims any and all liability for damages or losses occurring as a result of your noncompliance with applicable laws and regulations.
9. Renesas Electronics products and technologies shall not be used for or incorporated into any products or systems whose manufacture, use, or sale is prohibited under any applicable domestic or foreign laws or regulations. You shall comply with any applicable export control laws and regulations promulgated and administered by the governments of any countries asserting jurisdiction over the parties or transactions.
10. It is the responsibility of the buyer or distributor of Renesas Electronics products, or any other party who distributes, disposes of, or otherwise sells or transfers the product to a third party, to notify such third party in advance of the contents and conditions set forth in this document.
11. This document shall not be reprinted, reproduced or duplicated in any form, in whole or in part, without prior written consent of Renesas Electronics.
12. Please contact a Renesas Electronics sales office if you have any questions regarding the information contained in this document or Renesas Electronics products.

(Note1) "Renesas Electronics" as used in this document means Renesas Electronics Corporation and also includes its directly or indirectly controlled subsidiaries.

(Note2) "Renesas Electronics product(s)" means any product developed or manufactured by or for Renesas Electronics.

(Rev.4.0-1 November 2017)

## Corporate Headquarters

TOYOSU FORESIA, 3-2-24 Toyosu,  
Koto-ku, Tokyo 135-0061, Japan  
[www.renesas.com](http://www.renesas.com)

## Contact Information

For further information on a product, technology, the most up-to-date version of a document, or your nearest sales office, please visit:  
[www.renesas.com/contact/](http://www.renesas.com/contact/)

## Trademarks

Renesas and the Renesas logo are trademarks of Renesas Electronics Corporation. All trademarks and registered trademarks are the property of their respective owners.