



Integrated Device Technology, Inc.
6024 Silver Creek Valley Road, San Jose, CA 95138

PRODUCT/PROCESS CHANGE NOTICE (PCN)

PCN #: TB0609-03R2 DATE: 27-Jul-2007 Product Affected: All square PQFP and TQFP, MLP Dual, QFP-N, VFQFP-N packages shipped in Tape and Reel Date Effective: 2-Apr-2007	MEANS OF DISTINGUISHING CHANGED DEVICES: <input type="checkbox"/> Product Mark <input type="checkbox"/> Back Mark <input type="checkbox"/> Date Code <input checked="" type="checkbox"/> Other Starting 2-Apr-2007
---	--

Contact: Geoffrey Cortes Title: Product Quality Phone #: (408) 284-8321 Fax #: (408) 284-1450 E-mail: Geoffrey.Cortes@idt.com	Attachment:: <input checked="" type="checkbox"/> Yes <input type="checkbox"/> No <p style="text-align: center;">See attachment for orientation details.</p> Samples: N/A
---	---

DESCRIPTION AND PURPOSE OF CHANGE:

<input type="checkbox"/> Die Technology <input type="checkbox"/> Wafer Fabrication Process <input checked="" type="checkbox"/> Assembly Process <input type="checkbox"/> Equipment <input type="checkbox"/> Material <input type="checkbox"/> Testing <input type="checkbox"/> Manufacturing Site <input type="checkbox"/> Data Sheet <input checked="" type="checkbox"/> Other - Packaging	<p>Revision 2: This PCN is being revised to notify our customers the addition of packages, which have been advertently left out in Revision 1. The added packages are highlighted in blue font in affected packages table in Attachment I. There is no change in PCN affectivity date.</p> <p>Revision 1: This PCN is being revised to notify our customers that the effective date has been changed to 2-Apr-2007 and additional alert label will be placed on reel, ESD/moisture barrier bag and intermediate box (pizza box).</p> <p>Pin 1 orientation of all square PQFP and TQFP, MLP Dual, QFP-N and VFQFP-N packages shipped in Tape and Reel packaging will be changed to comply with current EIA Standard (EIA-481-C) requirement. Additional label will be placed on reel, ESD/moisture barrier bag and the intermediate box (pizza box) to alert customer of this change. Please see attachment for details.</p>
---	--

RELIABILITY/QUALIFICATION SUMMARY:

There is no change to the product reliability

CUSTOMER ACKNOWLEDGMENT OF RECEIPT:

IDT records indicate that you require written notification of this change. Please use the acknowledgement below or E-Mail to grant approval or request additional information. If IDT does not receive acknowledgement within 30 days of this notice it will be assumed that this change is acceptable.

IDT reserves the right to ship either version manufactured after the process change effective date until the inventory on the earlier version has been depleted.

Customer: _____	<input type="checkbox"/> <i>Approval for shipments prior to effective date.</i>
Name/Date: _____	E-Mail Address: _____
Title: _____	Phone# /Fax# : _____

CUSTOMER COMMENTS: _____

IDT ACKNOWLEDGMENT OF RECEIPT:

RECD. BY: _____ DATE: _____



Integrated Device Technology, Inc.
6024 Silver Creek Valley Road, San Jose, CA 95138

PRODUCT/PROCESS CHANGE NOTICE (PCN)

ATTACHMENT I - PCN #: TB0609-03R2

PCN Type: To comply to current EIA Standard (EIA-481-C) requirement.

Data Sheet Change: No

Detail of Change: This change will be implemented on all square PQFP and TQFP, MLP Dual, QFP-N, VFQFP-N packages.

Affected Packages:

Package Family	IDT Package Nomenclature	Package Description
PQFP (Square)	DB44, DBG44	PQFP 44, 10X10MM
	DN52, DNG52	PQFP 52, 14X14MM
	DN64, DNG64	PQFP 64, 14X14MM
	DN80, DNG80	PQFP 80, 14X14MM
	PM64, PMG64	PQFP 64, 14X14MM
	PM80, PMG80	PQFP 80, 14X14MM
	PM144, PMG144	PQFP 144, 28X28MM
	PM160, PMG160	PQFP 160, 28X28MM
	PM208, PMG208	PQFP 208, 28X28MM
	PU128, PUG128	PQFP 128, 28X28MM
	PU144, PUG144	PQFP 144, 28X28MM
	PU208, PUG208	PQFP 208, 28X28MM
	DH208, DHG208	PQFP 208, 28X28MM
	DP208, DPG208	PQFP 208, 28X28MM
	DS208, DSG208	PQFP 208, 28X28MM
	DU128, DUG128	PQFP 128, 28X28MM
	DU144, DUG144	PQFP 144, 28X28MM
	DU208, DUG208	PQFP 208, 28X28MM
	DZ128, DZG128	PQFP 128, 28X28MM
PQ132, PQG132	PQFP 132,	
TQFP (Square)	DE44, DEG44	TQFP 44, 10X10MM
	DE64, DEG64	TQFP 64, 10X10MM
	DK64, DKG64	TQFP 64, 10X10MM
	DQ100, DQG100	TQFP 100, 14X14MM
	DT80, DTG80	TQFP 80, 12X12MM
	ET80, ETG80	TQFP 80, 12X12MM
	DX32, DXG32	TQFP 32, 7X7MM
	DX48, DXG48	TQFP 48, 7X7MM
	EP52, EPG52	TQFP 52, 10X10MM
	ED64, EDG64	TQFP 64, 10X10MM
	ER48, ERG48	TQFP 48, 7X7MM
	PN64, PNG64	TQFP 64, 14X14MM
	PN80, PNG80	TQFP 80, 14X14MM
	PN100, PNG100	TQFP 100, 14X14MM
	PN120, PNG120	TQFP 120, 14X14MM
	PP44, PPG44	TQFP 44, 10X10MM
	PP52, PPG52	TQFP 52, 10X10MM
	PP64, PPG64	TQFP 64, 10X10MM



Integrated Device Technology, Inc.
6024 Silver Creek Valley Road, San Jose, CA 95138

PRODUCT/PROCESS CHANGE NOTICE (PCN)

ATTACHMENT I - PCN #: TB0609-03R2

Package Family	IDT Package Nomenclature	Package Description
TQFP (Square)	PR32, PRG32	TQFP 32, 7X7MM
	PR48, PRG48	TQFP 48, 7X7MM
	ER32, ERG32	TQFP 32, 7X7MM
	ES48, ESG48	TQFP 48, 7X7MM
	DD144, DDG144	TQFP 144, 20X20MM
	DA144, DAG144	TQFP 144, 20X20MM
	EG144, EGG144	TQFP 144, 20X20MM
	EK144, EKG144	TQFP 144, 20X20MM
MLP Dual	NB8, NBG8	QFP-N 8, 2X2MM
QFP-N	ND16, NDG16	QFP-N 16, 2.5X2.5MM
VFQFP-N	NL8, NLG8	VFQFP-N 8, 3X3MM
	NL16, NLG16	VFQFP-N 16, 3X3MM
	NL20, NLG20	VFQFP-N 20, 4X4MM
	NL24, NLG24	VFQFP-N 24, 4X4MM
	NL28, NLG28	VFQFP-N 28, 6X6MM
	NL32, NLG32	VFQFP-N 32, 5X5MM
	NL40, NLG40	VFQFP-N 40, 6X6MM
	NL48, NLG48	VFQFP-N 48, 6X6MM
	NL52, NLG52	VFQFP-N 52, 8X8MM
	NL56, NLG56	VFQFP-N 56, 8X8MM
	NL64, NLG64	VFQFP-N 64, 9X9MM
	NL68, NLG68	VFQFP-N 68, 10X10MM
	NL72, NLG72	VFQFP-N 72, 10X10MM
	NP20, NPG20	VFQFP-N 20, 4X4MM
	NP32, NPG32	VFQFP-N 32, 5X5MM
	NP72, NPG72	VFQFP-N 72, 10X10MM

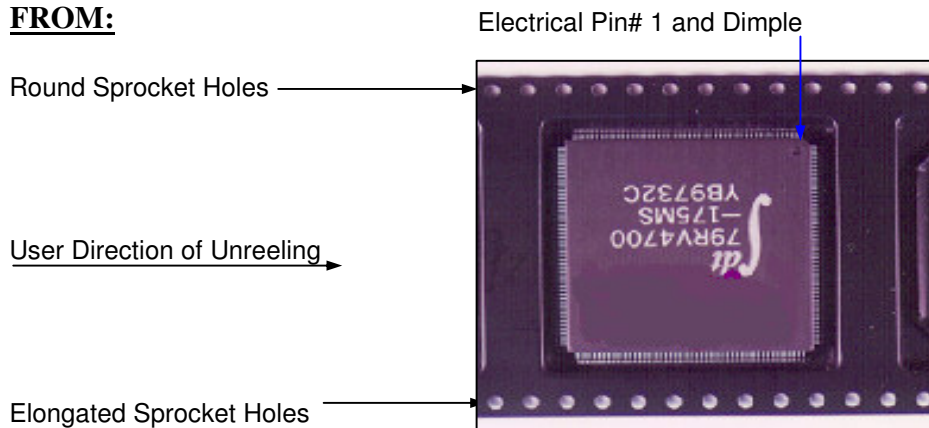


Integrated Device Technology, Inc.
6024 Silver Creek Valley Road, San Jose, CA 95138

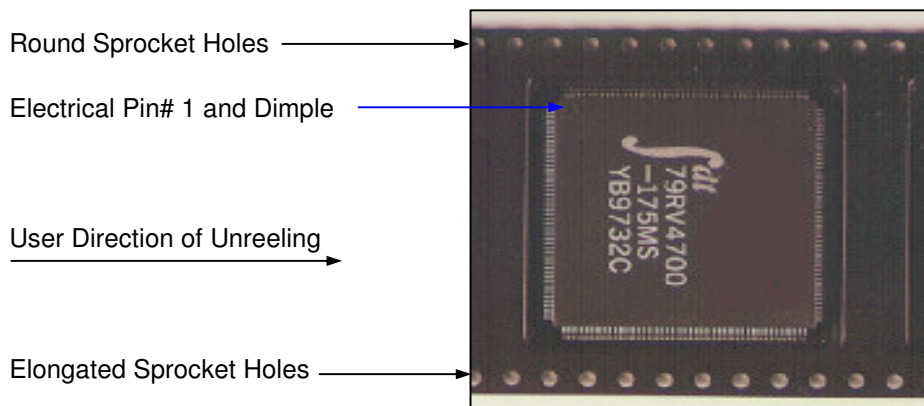
PRODUCT/PROCESS CHANGE NOTICE (PCN)

ATTACHMENT I - PCN #: TB0609-03R2

FROM:

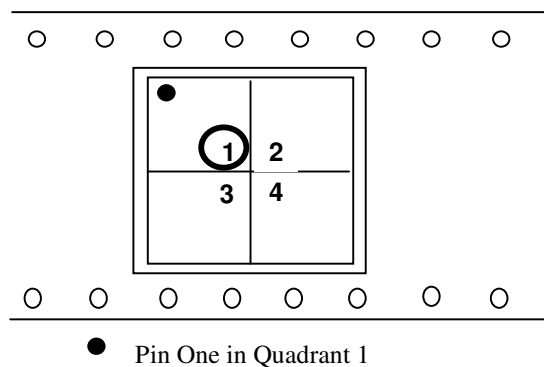


TO:



Conversion Schedule:

Additional label as shown below will be placed on reel, ESD/moisture barrier bag and the intermediate box (pizza box) to alert customer of this change. Label will be placed starting 2-Apr-2007 until 2-Apr-2008.





Integrated Device Technology, Inc.
6024 Silver Creek Valley Road, San Jose, CA 95138

PRODUCT/PROCESS CHANGE NOTICE (PCN)

ATTACHMENT II - PCN #: TB0609-03R2

Affected Part Number

Part Number	Part Number	Part Number	Part Number
ICS1531Y-100	IDT5T2110NLI	IDT5V9885-012NLGI	IDT7005L15PF
ICS1531Y-140	IDT5T929-10NLGI	IDT5V9885-014PFI	IDT7005L15PFG
ICS1531Y-140LF	IDT5T929-10NLI	IDT5V9885A-003PFI	IDT7005L15PFI
ICS1531Y-165	IDT5T929-30NLGI	IDT5V9885A-006NLGI	IDT7005L17PF
ICS1892Y	IDT5T929-30NLI	IDT5V9885A-007NLGI	IDT7005L17PFI
ICS1892Y-10	IDT5T9306NLGI	IDT5V9885A-008PFI	IDT7005L20PF
ICS1892Y-10LF	IDT5T9306NLI	IDT5V9885A-014PFI	IDT7005L20PFGI
ICS1892Y-14	IDT5T9310NLGI	IDT5V9885A-016NLGI	IDT7005L20PFI
ICS1892Y-14LF	IDT5T9310NLI	IDT5V9885ANLGI	IDT7005L25PF
ICS1892YLF	IDT5T9316NLGI	IDT5V9885B-003PFI	IDT7005L25PFI
ICS1893BK	IDT5T9316NLI	IDT5V9885B-005PFI	IDT7005L35PF
ICS1893BKI	IDT5T93GL061PFI	IDT5V9885B-006NLI	IDT7005L35PFG
ICS1893BKILF	IDT5T93GL06NLGI	IDT5V9885B-007NLGI	IDT7005L35PFGI
ICS1893BKLF	IDT5T93GL06NLI	IDT5V9885B-008PFI	IDT7005L35PFI
ICS1893BY-10	IDT5T93GL101PFGI	IDT5V9885B-010PFI	IDT7005L45PF
ICS1893BY-10LF	IDT5T93GL101PFI	IDT5V9885B-014PFI	IDT7005L55PF
ICS1893BYI-10	IDT5T93GL10NLGI	IDT5V9885B-016NLGI	IDT7005L55PFG
ICS1893BYI-10LF	IDT5T93GL10NLI	IDT5V9885BNLGI	IDT7005L55PFI
ICS1893CKILF	IDT5T93GL161PFGI	IDT5V9885BPFI	IDT7005S15PF
ICS1893CKLF	IDT5T93GL161PFI	IDT5V9885KNLGI	IDT7005S15PFI
ICS1893CY-10LF	IDT5T93GL16NLGI	IDT5V9885NLGI	IDT7005S17PF
ICS1893Y-10	IDT5T93GL16NLI	IDT5V9885NLI	IDT7005S17PFI
ICS1893Y-10LF	IDT5T940-10NLGI	IDT5V9885PFI	IDT7005S20PF
ICS1893YI-10	IDT5T940-10NLI	IDT5V9888-001NLGI	IDT7005S20PFI
ICS1893YI-10LF	IDT5T940-30NLGI	IDT5V9888NLGI	IDT7005S25PF
ICS2008BY-10	IDT5T940-30NLI	IDT5V994PFI	IDT7005S25PFG
ICS2008BY-10LF	IDT5T9820NLGI	IDT5V9950PFI	IDT7005S25PFI
ICS3732KI-37LF	IDT5T9820NLI	IDT5V995PFGI	IDT7005S35PF
ICS404K	IDT5T9821NLGI	IDT5V995PFI	IDT7005S35PFG
ICS405KLF	IDT5T9821NLI	ICS620AK-06LF	IDT7005S35PFGI
ICS406K	IDT5T9890NLGI	ICS620AKI-06LF	IDT7005S35PFI
ICS406KLF	IDT5T9890NLI	ICS620AN-09LF	IDT7005S45PF
ICS416K-02LF	IDT5T9891NLGI	ICS620AN-23LF	IDT7005S55PF
ICS421K-03LF	IDT5T9891NLI	ICS620AN-29LF	IDT7005S55PFG
ICS421K-04LF	IDT5T9950APFI	ICS620K-24LF	IDT7005S55PFI
ICS421K-08LF	IDT5T9950PFI	ICS620K-35LF	IDT7006L15PF
ICS421K-10LF	IDT5T995APFI	ICS620KI-35LF	IDT7006L15PFG
ICS421K-12LF	IDT5T995PFI	ICS620N-09LF	IDT7006L15PFI
ICS421KI-12LF	IDT5V9351PFI	ICS620N-23LF	IDT7006L17PF
IDT49C465APQF	IDT5V9352PFI	ICS620N-27LF	IDT7006L17PFI
IDT49C465PQF	IDT5V9885-003PFI	ICS620N-28LF	IDT7006L20PF
IDT5T2010NLGI	IDT5V9885-006NLGI	ICS620NI-29LF	IDT7006L20PFG
IDT5T2010NLI	IDT5V9885-007NLGI	IDT6P40027NLGI	IDT7006L20PFGI
IDT5T2110NLGI	IDT5V9885-007NLI	IDT6V40023NLG	IDT7006L20PFI

Notes: For T & R (shipping method) "8" is added to the IDT p/n, "T" is added to the ICS p/n and "R2" is added to MPC p/n.



Integrated Device Technology, Inc.
6024 Silver Creek Valley Road, San Jose, CA 95138

PRODUCT/PROCESS CHANGE NOTICE (PCN)

ATTACHMENT II - PCN #: TB0609-03R2

Affected Part Number

Part Number	Part Number	Part Number	Part Number
IDT7006L25PF	IDT7008L15PF	IDT7016L12PF	IDT7024S20PF
IDT7006L25PFG	IDT7008L15PFG	IDT7016L12PFG	IDT7024S20PFG
IDT7006L35PF	IDT7008L20PF	IDT7016L15PF	IDT7024S20PFI
IDT7006L35PFI	IDT7008L20PFGI	IDT7016L20PF	IDT7024S25PF
IDT7006L45PF	IDT7008L20PFI	IDT7016L20PFI	IDT7024S25PFG
IDT7006L55PF	IDT7008L25PF	IDT7016L25PF	IDT7024S25PFI
IDT7006L55PFG	IDT7008L25PFG	IDT7016L35PF	IDT7024S35PF
IDT7006L55PFI	IDT7008L25PFI	IDT7016S12PF	IDT7024S35PFG
IDT7006S15PF	IDT7008L35PF	IDT7016S15PF	IDT7024S35PFI
IDT7006S15PFI	IDT7008L55PF	IDT7016S20PF	IDT7024S45PF
IDT7006S17PF	IDT7008L55PFI	IDT7016S25PF	IDT7024S55PF
IDT7006S17PFI	IDT7008S15PF	IDT7016S35PF	IDT7024S55PFG
IDT7006S20PF	IDT7008S20PF	IDT7016S35PFI	IDT7024S55PFGI
IDT7006S20PFG	IDT7008S20PFI	IDT7017L15PF	IDT7024S55PFI
IDT7006S25PF	IDT7008S25PF	IDT7017L20PF	IDT7025L15PF
IDT7006S25PFG	IDT7008S25PFG	IDT7018L15PF	IDT7025L15PFG
IDT7006S35PF	IDT7008S25PFI	IDT7018L20PF	IDT7025L15PFI
IDT7006S45PF	IDT7008S35PF	IDT7019L15PF	IDT7025L17PF
IDT7006S55PF	IDT7008S55PF	IDT7019L20PF	IDT7025L17PFI
IDT7006S55PFG	IDT7008S55PFGI	IDT7024L15PF	IDT7025L20PF
IDT7006S55PFI	IDT7008S55PFI	IDT7024L15PFG	IDT7025L20PFG
IDT7007L15PF	IDT7009L15PF	IDT7024L15PFGI	IDT7025L20PFGI
IDT7007L15PFG	IDT7009L15PFG	IDT7024L15PFI	IDT7025L20PFI
IDT7007L20PF	IDT7009L20PF	IDT7024L17PF	IDT7025L25PF
IDT7007L20PFGI	IDT7009L20PFGI	IDT7024L17PFI	IDT7025L25PFG
IDT7007L20PFI	IDT7009L20PFI	IDT7024L20PF	IDT7025L25PFI
IDT7007L25PF	IDT7014S12PF	IDT7024L20PFG	IDT7025L35PF
IDT7007L25PFG	IDT7014S12PFG	IDT7024L20PFGI	IDT7025L35PFI
IDT7007L25PFI	IDT7014S15PF	IDT7024L20PFI	IDT7025L45PF
IDT7007L35PF	IDT7014S20PF	IDT7024L25PF	IDT7025L45PFI
IDT7007L35PFG	IDT7014S25PF	IDT7024L25PFI	IDT7025L55PF
IDT7007L35PFGI	IDT7015L12PF	IDT7024L35PF	IDT7025L55PFI
IDT7007L55PF	IDT7015L15PF	IDT7024L35PFG	IDT7025S15PF
IDT7007L55PFI	IDT7015L17PF	IDT7024L35PFGI	IDT7025S15PFG
IDT7007S15PF	IDT7015L20PF	IDT7024L35PFI	IDT7025S15PFI
IDT7007S15PFG	IDT7015L20PFI	IDT7024L45PF	IDT7025S17PF
IDT7007S20PF	IDT7015L25PF	IDT7024L55PF	IDT7025S20PF
IDT7007S20PFI	IDT7015L35PF	IDT7024L55PFG	IDT7025S20PFI
IDT7007S25PF	IDT7015S12PF	IDT7024L55PFI	IDT7025S25PF
IDT7007S25PFG	IDT7015S15PF	IDT7024S15PF	IDT7025S25PFG
IDT7007S25PFI	IDT7015S17PF	IDT7024S15PFG	IDT7025S25PFI
IDT7007S35PF	IDT7015S20PF	IDT7024S15PFI	IDT7025S35PF
IDT7007S55PF	IDT7015S25PF	IDT7024S17PF	IDT7025S35PFGI
IDT7007S55PFI	IDT7015S35PF	IDT7024S17PFI	IDT7025S35PFI

Notes: For T & R (shipping method) "8" is added to the IDT p/n, "T" is added to the ICS p/n and "R2" is added to MPC p/n.



Integrated Device Technology, Inc.
6024 Silver Creek Valley Road, San Jose, CA 95138

PRODUCT/PROCESS CHANGE NOTICE (PCN)

ATTACHMENT II - PCN #: TB0609-03R2

Affected Part Number

Part Number	Part Number	Part Number	Part Number
IDT7025S45PF	IDT7027S15PF	IDT7052L35PQF	IDT709079L9PF
IDT7025S45PFI	IDT7027S20PF	IDT7052L45PF	IDT709079L9PFI
IDT7025S55PF	IDT7027S20PFI	IDT7052L45PQF	IDT709079S12PF
IDT7025S55PFI	IDT7027S25PF	IDT7052S20PF	IDT709079S12PFI
IDT70261L15PF	IDT7027S25PFI	IDT7052S20PQF	IDT709079S15PF
IDT70261L15PFG	IDT7027S35PF	IDT7052S25PF	IDT709079S15PFI
IDT70261L15PFI	IDT7027S55PF	IDT7052S25PQF	IDT709079S9PF
IDT70261L20PF	IDT7027S55PFI	IDT7052S35PF	IDT709089L12PF
IDT70261L20PFG	IDT7028L15PF	IDT7052S35PQF	IDT709089L12PFI
IDT70261L20PFGI	IDT7028L15PFG	IDT7052S35PQFI	IDT709089L15PF
IDT70261L20PFI	IDT7028L15PFI	IDT7052S45PF	IDT709089L15PFI
IDT70261L25PF	IDT7028L20PF	IDT7052S45PQF	IDT709089L9PF
IDT70261L25PFG	IDT7028L20PFGI	IDT707278L20PFI	IDT709089S12PF
IDT70261L25PFI	IDT7028L20PFI	IDT707288L15PF	IDT709089S15PF
IDT70261L35PF	IDT7034L15PF	IDT707288L20PF	IDT709089S15PFI
IDT70261L35PFI	IDT7034L15PFG	IDT707288L20PFI	IDT709099L12PF
IDT70261L55PF	IDT7034L20PF	IDT707288L25PF	IDT709099L12PFI
IDT70261L55PFG	IDT7034L20PFI	IDT707288S15PF	IDT709099L7PF
IDT70261L55PFI	IDT7034S15PF	IDT707288S20PF	IDT709099L9PF
IDT70261S15PF	IDT7034S15PFI	IDT707288S25PF	IDT709099L9PFI
IDT70261S15PFG	IDT7034S20PF	IDT70824L20PF	IDT709149S8PF
IDT70261S15PFI	IDT7035L15PF	IDT70824L20PFG	IDT70914S12PF
IDT70261S20PF	IDT7035L20PF	IDT70824L25PF	IDT70914S12PFG
IDT70261S20PFG	IDT7035S15PF	IDT70824L25PFI	IDT70914S15PF
IDT70261S20PFI	IDT7035S20PF	IDT70824L35PF	IDT70914S15PFG
IDT70261S25PF	IDT7037L15PF	IDT70824L45PF	IDT70914S15PFI
IDT70261S25PFGI	IDT7037L20PF	IDT70824S20PF	IDT70914S20PF
IDT70261S25PFI	IDT7037L20PFI	IDT70824S25PF	IDT70914S20PFI
IDT70261S35PF	IDT7038L15PF	IDT70824S35PF	IDT70914S25PFGI
IDT70261S35PFI	IDT7038L20PF	IDT70824S45PF	IDT70914S25PFI
IDT70261S55PF	IDT7038L20PFI	IDT70825L20PF	IDT709159L6PF
IDT70261S55PFG	IDT7050L25PQF	IDT70825L20PFG	IDT709159L7PF
IDT70261S55PFI	IDT7050L35PQF	IDT70825L20PFI	IDT709159L7PFI
IDT7027L15PF	IDT7050S25PQF	IDT70825L25PF	IDT709159L9PF
IDT7027L15PFG	IDT7050S35PQF	IDT70825L35PF	IDT709169L6PF
IDT7027L20PF	IDT7052L20PF	IDT70825L45PF	IDT709169L7PF
IDT7027L20PFG	IDT7052L20PFG	IDT70825S20PF	IDT709169L7PFI
IDT7027L20PFGI	IDT7052L20PQF	IDT70825S25PF	IDT709169L9PF
IDT7027L20PFI	IDT7052L20PQFG	IDT70825S25PFI	IDT709179L12PF
IDT7027L25PF	IDT7052L25PF	IDT70825S35PF	IDT709179L9PF
IDT7027L25PFI	IDT7052L25PFI	IDT70825S45PF	IDT709179L9PFI
IDT7027L35PF	IDT7052L25PQF	IDT709079L12PF	IDT709189L12PF
IDT7027L55PF	IDT7052L25PQFI	IDT709079L12PFI	IDT709189L7PF
IDT7027L55PFI	IDT7052L35PF	IDT709079L15PF	IDT709189L9PF

Notes: For T & R (shipping method) "8" is added to the IDT p/n, "T" is added to the ICS p/n and "R2" is added to MPC p/n.



Integrated Device Technology, Inc.
6024 Silver Creek Valley Road, San Jose, CA 95138

PRODUCT/PROCESS CHANGE NOTICE (PCN)

ATTACHMENT II - PCN #: TB0609-03R2

Affected Part Number

Part Number	Part Number	Part Number	Part Number
IDT709199L12PF	IDT709369L7PF	IDT70T35L20PF	IDT70V06L15PF
IDT709199L7PF	IDT709369L9PF	IDT70T35L25PF	IDT70V06L15PFG
IDT709199L9PF	IDT709369L9PFI	IDT70T35L25PFI	IDT70V06L20PF
IDT709199L9PFI	IDT709379L12PF	IDT70T631S10DD	IDT70V06L20PFGI
IDT709269L12PF	IDT709379L7PF	IDT70T631S12DD	IDT70V06L20PFI
IDT709269L12PFG	IDT709379L7PFG	IDT70T631S12DDI	IDT70V06L25PF
IDT709269L12PFGI	IDT709379L9PF	IDT70T631S15DD	IDT70V06L25PFI
IDT709269L12PFI	IDT709379L9PFI	IDT70T633S10DD	IDT70V06L35PF
IDT709269L15PF	IDT709389L12PF	IDT70T633S12DD	IDT70V06L45PF
IDT709269L15PFI	IDT709389L12PFI	IDT70T633S12DDI	IDT70V06L55PF
IDT709269L9PF	IDT709389L7PF	IDT70T633S15DD	IDT70V06S15PF
IDT709269L9PFG	IDT709389L9PF	IDT70T9159L12PF	IDT70V06S20PF
IDT709269S12PF	IDT709389L9PFI	IDT70T9159L7PF	IDT70V06S20PFGI
IDT709269S12PFI	IDT70T05L20PF	IDT70T9159L9PF	IDT70V06S25PF
IDT709269S15PF	IDT70T05L25PF	IDT70T9169L12PF	IDT70V06S25PFI
IDT709269S15PFI	IDT70T05L25PFI	IDT70T9169L7PF	IDT70V06S35PF
IDT709269S9PF	IDT70T06L20PF	IDT70T9169L9PF	IDT70V06S35PFG
IDT709279L12PF	IDT70T06L25PF	IDT70T9349L12PF	IDT70V06S45PF
IDT709279L12PFG	IDT70T06L25PFI	IDT70T9349L7PF	IDT70V06S55PF
IDT709279L12PFGI	IDT70T15L20PF	IDT70T9349L9PF	IDT70V07L25PF
IDT709279L12PFI	IDT70T15L25PF	IDT70T9359L12PF	IDT70V07L25PFG
IDT709279L15PF	IDT70T15L25PFI	IDT70T9359L7PF	IDT70V07L25PFI
IDT709279L15PFI	IDT70T16L20PF	IDT70T9359L9PF	IDT70V07L35PF
IDT709279L9PF	IDT70T16L25PF	IDT70V05L15PF	IDT70V07L35PFGI
IDT709279S12PF	IDT70T16L25PFI	IDT70V05L15PFG	IDT70V07L55PF
IDT709279S12PFI	IDT70T24L20PF	IDT70V05L20PF	IDT70V07S25PF
IDT709279S15PF	IDT70T24L25PF	IDT70V05L20PFG	IDT70V07S35PF
IDT709279S9PF	IDT70T24L25PFI	IDT70V05L20PFGI	IDT70V07S35PFI
IDT709289L12PF	IDT70T25L20PF	IDT70V05L20PFI	IDT70V07S55PF
IDT709289L12PFI	IDT70T25L25PF	IDT70V05L25PF	IDT70V08L15PF
IDT709289L6PF	IDT70T25L25PFI	IDT70V05L25PFG	IDT70V08L15PFG
IDT709289L7PF	IDT70T3319S133DD	IDT70V05L35PF	IDT70V08L20PF
IDT709289L7PFG	IDT70T3319S133DDI	IDT70V05L35PFG	IDT70V08L20PFGI
IDT709289L9PF	IDT70T3319S166DD	IDT70V05L35PFI	IDT70V08L20PFI
IDT709289L9PFI	IDT70T3339S133DD	IDT70V05L55PF	IDT70V08L25PF
IDT709349L6PF	IDT70T3339S133DDI	IDT70V05L55PFG	IDT70V08L35PF
IDT709349L7PF	IDT70T3339S166DD	IDT70V05S15PF	IDT70V08S15PF
IDT709349L7PFI	IDT70T3339S166DDI	IDT70V05S15PFG	IDT70V08S20PF
IDT709349L9PF	IDT70T3399S133DD	IDT70V05S20PF	IDT70V08S20PFI
IDT709359L6PF	IDT70T3399S133DDI	IDT70V05S25PF	IDT70V08S25PF
IDT709359L7PF	IDT70T3399S166DD	IDT70V05S25PFG	IDT70V08S25PFI
IDT709359L7PFI	IDT70T34L20PF	IDT70V05S25PFI	IDT70V08S35PF
IDT709359L9PF	IDT70T34L25PF	IDT70V05S35PF	IDT70V09L15PF
IDT709369L12PF	IDT70T34L25PFI	IDT70V05S55PF	IDT70V09L15PFG

Notes: For T & R (shipping method) "8" is added to the IDT p/n, "T" is added to the ICS p/n and "R2" is added to MPC p/n.



Integrated Device Technology, Inc.
6024 Silver Creek Valley Road, San Jose, CA 95138

PRODUCT/PROCESS CHANGE NOTICE (PCN)

ATTACHMENT II - PCN #: TB0609-03R2

Affected Part Number

Part Number	Part Number	Part Number	Part Number
IDT70V09L20PF	IDT70V24S20PFG	IDT70V261L55PF	IDT70V28L20PFI
IDT70V09L20PFI	IDT70V24S20PFI	IDT70V261S25PF	IDT70V28L25PF
IDT70V15L15PF	IDT70V24S25PF	IDT70V261S25PFG	IDT70V28L25PFI
IDT70V15L20PF	IDT70V24S25PFG	IDT70V261S25PFI	IDT70V28VL15PF
IDT70V15L25PF	IDT70V24S25PFI	IDT70V261S35PF	IDT70V28VL20PF
IDT70V15S15PF	IDT70V24S35PF	IDT70V261S35PFG	IDT70V34L15PF
IDT70V15S20PF	IDT70V24S35PFG	IDT70V261S55PF	IDT70V34L15PFG
IDT70V15S25PF	IDT70V24S35PFI	IDT70V27L15PF	IDT70V34L20PF
IDT70V16L15PF	IDT70V24S55PF	IDT70V27L15PFG	IDT70V34L20PFGI
IDT70V16L20PF	IDT70V24S55PFG	IDT70V27L15PFI	IDT70V34L25PF
IDT70V16L25PF	IDT70V24S55PFGI	IDT70V27L17PFI	IDT70V34S15PF
IDT70V16S15PF	IDT70V24S55PFI	IDT70V27L20PF	IDT70V34S20PF
IDT70V16S20PF	IDT70V25L15PF	IDT70V27L20PFG	IDT70V34S25PF
IDT70V16S25PF	IDT70V25L15PFG	IDT70V27L20PFGI	IDT70V35L15PF
IDT70V17L15PF	IDT70V25L15PFI	IDT70V27L20PFI	IDT70V35L20PF
IDT70V17L20PF	IDT70V25L20PF	IDT70V27L25PF	IDT70V35L20PFGI
IDT70V17L20PFI	IDT70V25L20PFGI	IDT70V27L25PFG	IDT70V35L20PFI
IDT70V18L15PF	IDT70V25L20PFI	IDT70V27L25PFI	IDT70V35L25PF
IDT70V18L20PF	IDT70V25L25PF	IDT70V27L35PF	IDT70V35S15PF
IDT70V18L20PFGI	IDT70V25L25PFG	IDT70V27L35PFI	IDT70V35S20PF
IDT70V18L20PFI	IDT70V25L25PFGI	IDT70V27L55PF	IDT70V35S20PFI
IDT70V19L15PF	IDT70V25L25PFI	IDT70V27S15PF	IDT70V35S25PF
IDT70V19L20PF	IDT70V25L35PF	IDT70V27S15PFGI	IDT70V37L15PF
IDT70V19L20PFI	IDT70V25L35PFG	IDT70V27S15PFI	IDT70V37L15PFG
IDT70V22L20PF	IDT70V25L35PFGI	IDT70V27S17PFI	IDT70V37L20PF
IDT70V22L20PFG	IDT70V25L35PFI	IDT70V27S20PF	IDT70V37L20PFI
IDT70V24L15PF	IDT70V25L55PF	IDT70V27S20PFI	IDT70V38L12PF
IDT70V24L15PFG	IDT70V25L55PFI	IDT70V27S25PF	IDT70V38L12PFG
IDT70V24L15PFI	IDT70V25S15PF	IDT70V27S25PFG	IDT70V38L15PF
IDT70V24L20PF	IDT70V25S20PF	IDT70V27S25PFI	IDT70V38L20PF
IDT70V24L20PFG	IDT70V25S20PFG	IDT70V27S35PF	IDT70V38L20PFI
IDT70V24L20PFGI	IDT70V25S25PF	IDT70V27S35PFG	IDT70V7278L15PF
IDT70V24L20PFI	IDT70V25S25PFG	IDT70V27S35PFI	IDT70V7278L15PFG
IDT70V24L25PF	IDT70V25S25PFGI	IDT70V27S55PF	IDT70V7278L20PF
IDT70V24L25PFG	IDT70V25S25PFI	IDT70V27S55PFG	IDT70V7278L20PFI
IDT70V24L25PFI	IDT70V25S35PF	IDT70V27S55PFI	IDT70V7278L25PF
IDT70V24L35PF	IDT70V25S35PFG	IDT70V28L12PF	IDT70V7278S15PF
IDT70V24L35PFG	IDT70V25S35PFI	IDT70V28L15PF	IDT70V7278S20PF
IDT70V24L35PFI	IDT70V25S55PF	IDT70V28L15PFG	IDT70V7278S25PF
IDT70V24L55PF	IDT70V261L25PF	IDT70V28L15PFGI	IDT70V7288L15PF
IDT70V24L55PFI	IDT70V261L25PFG	IDT70V28L15PFI	IDT70V7288L20PF
IDT70V24S15PF	IDT70V261L25PFGI	IDT70V28L20PF	IDT70V7288L20PFI
IDT70V24S15PFG	IDT70V261L25PFI	IDT70V28L20PFG	IDT70V7288L25PF
IDT70V24S20PF	IDT70V261L35PF	IDT70V28L20PFGI	IDT70V7288S15PF

Notes: For T & R (shipping method) "8" is added to the IDT p/n, "T" is added to the ICS p/n and "R2" is added to MPC p/n.



Integrated Device Technology, Inc.
6024 Silver Creek Valley Road, San Jose, CA 95138

PRODUCT/PROCESS CHANGE NOTICE (PCN)

ATTACHMENT II - PCN #: TB0609-03R2

Affected Part Number

Part Number	Part Number	Part Number	Part Number
IDT70V7288S20PF	IDT70V914S15PF	IDT70V9349L9PF	IDT7130LA55PF
IDT70V7288S25PF	IDT70V914S20PF	IDT70V9359L12PF	IDT7130LA55PFI
IDT70V7319S133DD	IDT70V914S25PF	IDT70V9359L6PF	IDT7130LA55TF
IDT70V7319S133DDI	IDT70V914S25PFI	IDT70V9359L6PFG	IDT7130LA55TFG
IDT70V7319S166DD	IDT70V9159L6PF	IDT70V9359L7PF	IDT7130LA55TFI
IDT70V7319S166DDI	IDT70V9159L7PF	IDT70V9359L7PFI	IDT7130LA70PF
IDT70V7319S200DD	IDT70V9159L7PFI	IDT70V9359L9PF	IDT7130LA90PF
IDT70V7339S133DD	IDT70V9159L9PF	IDT70V9359L9PFI	IDT7130SA100PF
IDT70V7339S133DDI	IDT70V9159L9PFI	IDT70V9359S12PF	IDT7130SA20PF
IDT70V7339S166DD	IDT70V9169L6PF	IDT70V9359S7PF	IDT7130SA20PFI
IDT70V7339S166DDI	IDT70V9169L6PFG	IDT70V9359S9PF	IDT7130SA20TF
IDT70V7339S200DD	IDT70V9169L7PF	IDT70V9369L12PF	IDT7130SA20TFG
IDT70V7399S133DD	IDT70V9169L7PFGI	IDT70V9369L6PF	IDT7130SA25PF
IDT70V7399S166DD	IDT70V9169L7PFI	IDT70V9369L7PF	IDT7130SA25PFG
IDT70V7399S200DD	IDT70V9169L9PF	IDT70V9369L7PFI	IDT7130SA25TF
IDT70V9079L12PF	IDT70V9179L12PF	IDT70V9369L9PF	IDT7130SA35PF
IDT70V9079L12PFI	IDT70V9179L7PF	IDT70V9369L9PFI	IDT7130SA35PFI
IDT70V9079L15PF	IDT70V9179L7PFG	IDT70V9389L7PF	IDT7130SA35TF
IDT70V9079L6PF	IDT70V9179L9PF	IDT71215S10PF	IDT7130SA45PF
IDT70V9079L6PFG	IDT70V9179L9PFI	IDT71215S12PF	IDT7130SA55PF
IDT70V9079L7PF	IDT70V9189L12PF	IDT71215S8PF	IDT7130SA55PFI
IDT70V9079L9PF	IDT70V9189L7PF	IDT71215S9PF	IDT7130SA55TF
IDT70V9079S12PF	IDT70V9189L9PF	IDT71216S10PF	IDT7130SA55TFI
IDT70V9079S15PF	IDT70V9189L9PFI	IDT71216S10PFI	IDT7130SA70PF
IDT70V9079S6PF	IDT70V9199L12PF	IDT71216S8PF	IDT7130SA90PF
IDT70V9079S7PF	IDT70V9199L12PFI	IDT71216S9PF	IDT7130VL55TFGI
IDT70V9079S9PF	IDT70V9199L7PF	IDT7130L25TFI	IDT7130VL55TFI
IDT70V9089L12PF	IDT70V9199L7PFG	IDT7130LA100PF	IDT71321LA20PF
IDT70V9089L12PFI	IDT70V9199L7PFI	IDT7130LA20PF	IDT71321LA20PFG
IDT70V9089L15PF	IDT70V9199L9PF	IDT7130LA20PFG	IDT71321LA20TF
IDT70V9089L9PF	IDT70V9199L9PFGI	IDT7130LA20TF	IDT71321LA20TFG
IDT70V9089S12PF	IDT70V9199L9PFI	IDT7130LA20TFG	IDT71321LA25PF
IDT70V9089S15PF	IDT70V9269L7PF	IDT7130LA25PF	IDT71321LA25PFG
IDT70V9089S9PF	IDT70V9289L12PF	IDT7130LA25PFGI	IDT71321LA25PFGI
IDT70V9099L12PF	IDT70V9289L6PF	IDT7130LA25PFI	IDT71321LA25PFI
IDT70V9099L12PFI	IDT70V9289L7PF	IDT7130LA25TF	IDT71321LA25TF
IDT70V9099L6PF	IDT70V9289L7PFG	IDT7130LA25TFG	IDT71321LA25TFI
IDT70V9099L7PF	IDT70V9289L7PFGI	IDT7130LA25TFGI	IDT71321LA35PF
IDT70V9099L7PFG	IDT70V9289L9PF	IDT7130LA25TFI	IDT71321LA35PFG
IDT70V9099L7PFI	IDT70V9289L9PFG	IDT7130LA35PF	IDT71321LA35PFI
IDT70V9099L9PF	IDT70V9289L9PFI	IDT7130LA35TF	IDT71321LA35TF
IDT70V9099L9PFG	IDT70V9349L6PF	IDT7130LA35TFG	IDT71321LA35TFI
IDT70V9099L9PFI	IDT70V9349L7PF	IDT7130LA45PF	IDT71321LA45PF
IDT70V914S12PF	IDT70V9349L7PFI	IDT7130LA45TFI	IDT71321LA55PF

Notes: For T & R (shipping method) "8" is added to the IDT p/n, "T" is added to the ICS p/n and "R2" is added to MPC p/n.



Integrated Device Technology, Inc.
6024 Silver Creek Valley Road, San Jose, CA 95138

PRODUCT/PROCESS CHANGE NOTICE (PCN)

ATTACHMENT II - PCN #: TB0609-03R2

Affected Part Number

Part Number	Part Number	Part Number	Part Number
IDT71321LA55PFG	IDT71342LA25PFI	IDT7143LA35PF	IDT71V321LA25PF
IDT71321LA55PFI	IDT71342LA35PF	IDT7143LA55PF	IDT71V321LA35PF
IDT71321LA55TF	IDT71342LA45PF	IDT7143SA20PF	IDT71V321LA45PF
IDT71321LA55TFG	IDT71342LA55PF	IDT7143SA25PF	IDT71V321LA55PF
IDT71321SA20PF	IDT71342LA55PFG	IDT7143SA35PF	IDT71V321S25PF
IDT71321SA20TF	IDT71342LA55PFGI	IDT7143SA55PF	IDT71V321S25PFG
IDT71321SA25PF	IDT71342LA55PFI	IDT71V30L25TF	IDT71V321S25PFI
IDT71321SA25PFG	IDT71342SA20PF	IDT71V30L25TFG	IDT71V321S25TF
IDT71321SA25TF	IDT71342SA25PF	IDT71V30L25TFGI	IDT71V321S25TFG
IDT71321SA35PF	IDT71342SA25PFI	IDT71V30L25TFI	IDT71V321S35PF
IDT71321SA35TF	IDT71342SA35PF	IDT71V30L35TF	IDT71V321S35TF
IDT71321SA35TFG	IDT71342SA45PF	IDT71V30L35TFGI	IDT71V321S45PF
IDT71321SA45PF	IDT71342SA55PF	IDT71V30L35TFI	IDT71V321S55PF
IDT71321SA55PF	IDT71342SA55PFI	IDT71V30L55TF	IDT71V321S55PFI
IDT71321SA55PFG	IDT7140LA100PF	IDT71V30L55TFI	IDT71V321S55TF
IDT71321SA55PFI	IDT7140LA20PF	IDT71V30S25TF	IDT71V321S55TFG
IDT71321SA55TF	IDT7140LA20PFG	IDT71V30S25TFG	IDT71V321SA25PF
IDT71321SA55TFGI	IDT7140LA25PF	IDT71V30S25TFI	IDT71V321SA35PF
IDT71321SA55TFI	IDT7140LA25PFG	IDT71V30S35TF	IDT71V321SA55PF
IDT7133LA20PF	IDT7140LA25PFGI	IDT71V30S35TFGI	IDT72201L10PF
IDT7133LA20PFG	IDT7140LA25PFI	IDT71V30S35TFI	IDT72201L15PF
IDT7133LA25PF	IDT7140LA35PF	IDT71V30S55TF	IDT72201L15PFI
IDT7133LA25PFG	IDT7140LA55PF	IDT71V30S55TFG	IDT72201L25PF
IDT7133LA25PFGI	IDT7140SA100PF	IDT71V30VL55TFI	IDT72201L25PFI
IDT7133LA25PFI	IDT7140SA20PF	IDT71V30VL90TF	IDT72205LB10PF
IDT7133LA35PF	IDT7140SA25PF	IDT71V321L25PF	IDT72205LB10PFG
IDT7133LA35PFI	IDT7140SA35PF	IDT71V321L25PFG	IDT72205LB10TF
IDT7133LA55PF	IDT7140SA55PF	IDT71V321L25PFGI	IDT72205LB15PF
IDT7133LA55PFG	IDT71421LA20PF	IDT71V321L25PFI	IDT72205LB15PFGI
IDT7133LA55PFI	IDT71421LA20PFG	IDT71V321L25TF	IDT72205LB15PFI
IDT7133SA20PF	IDT71421LA25PF	IDT71V321L25TFG	IDT72205LB15TF
IDT7133SA25PF	IDT71421LA25PFI	IDT71V321L25TFGI	IDT72205LB15TFI
IDT7133SA25PFG	IDT71421LA35PF	IDT71V321L25TFI	IDT72205LB25PF
IDT7133SA25PFI	IDT71421LA55PF	IDT71V321L35PF	IDT72205LB25PFI
IDT7133SA35PF	IDT71421LA55PFG	IDT71V321L35TF	IDT72205LB25TF
IDT7133SA35PFG	IDT71421SA20PF	IDT71V321L45PF	IDT72205LB25TFI
IDT7133SA35PFGI	IDT71421SA25PF	IDT71V321L55PF	IDT72211L10PF
IDT7133SA55PF	IDT71421SA35PF	IDT71V321L55PFG	IDT72211L15PF
IDT7133SA55PFG	IDT71421SA35PFI	IDT71V321L55PFGI	IDT72211L15PFI
IDT7133SA55PFI	IDT71421SA55PF	IDT71V321L55PFI	IDT72211L25PF
IDT71342LA20PF	IDT7143LA20PF	IDT71V321L55TF	IDT72211L25PFI
IDT71342LA20PFG	IDT7143LA20PFG	IDT71V321L55TFG	IDT72215LB10PF
IDT71342LA25PF	IDT7143LA25PF	IDT71V321L55TFGI	IDT72215LB10PFG
IDT71342LA25PFGI	IDT7143LA25PFI	IDT71V321L55TFI	IDT72215LB10TF

Notes: For T & R (shipping method) "8" is added to the IDT p/n, "T" is added to the ICS p/n and "R2" is added to MPC p/n.



Integrated Device Technology, Inc.
6024 Silver Creek Valley Road, San Jose, CA 95138

PRODUCT/PROCESS CHANGE NOTICE (PCN)

ATTACHMENT II - PCN #: TB0609-03R2

Affected Part Number

Part Number	Part Number	Part Number	Part Number
IDT72215LB10TFG	IDT72235LB25PFG	IDT72261LA10PFG	IDT72275L20TF
IDT72215LB15PF	IDT72235LB25PFI	IDT72261LA10TF	IDT72275L20TFI
IDT72215LB15PFGI	IDT72235LB25TF	IDT72261LA15PF	IDT72281L10PF
IDT72215LB15PFI	IDT72235LB25TFI	IDT72261LA15PFI	IDT72281L10PFG
IDT72215LB15TF	IDT72241L10PF	IDT72261LA15TF	IDT72281L10TF
IDT72215LB15TFI	IDT72241L15PF	IDT72261LA15TFGI	IDT72281L15PF
IDT72215LB25PF	IDT72241L15PFI	IDT72261LA15TFI	IDT72281L15PFI
IDT72215LB25PFI	IDT72241L25PF	IDT72261LA20PF	IDT72281L15TF
IDT72215LB25TF	IDT72241L25PFI	IDT72261LA20PFI	IDT72281L15TFI
IDT72215LB25TFI	IDT72245LB10PF	IDT72261LA20TF	IDT72281L20PF
IDT72221L10PF	IDT72245LB10PFG	IDT72261LA20TFI	IDT72281L20PFI
IDT72221L15PF	IDT72245LB10TF	IDT72265LA10PF	IDT72281L20TF
IDT72221L15PFI	IDT72245LB10TFG	IDT72265LA10PFG	IDT72281L20TFI
IDT72221L25PF	IDT72245LB15PF	IDT72265LA10TF	IDT72285L10PF
IDT72221L25PFI	IDT72245LB15PFG	IDT72265LA10TFG	IDT72285L10PFG
IDT72225LB10PF	IDT72245LB15PFI	IDT72265LA15PF	IDT72285L10TF
IDT72225LB10PFG	IDT72245LB15TF	IDT72265LA15PFI	IDT72285L10TFG
IDT72225LB10TF	IDT72245LB15TFI	IDT72265LA15TF	IDT72285L15PF
IDT72225LB15PF	IDT72245LB20PF	IDT72265LA15TFI	IDT72285L15PFGI
IDT72225LB15PFG	IDT72245LB25PF	IDT72265LA20PF	IDT72285L15PFI
IDT72225LB15PFGI	IDT72245LB25PFG	IDT72265LA20PFI	IDT72285L15TF
IDT72225LB15PFI	IDT72245LB25PFI	IDT72265LA20TF	IDT72285L15TFI
IDT72225LB15TF	IDT72245LB25TF	IDT72265LA20TFI	IDT72285L20PF
IDT72225LB15TFI	IDT72245LB25TFI	IDT72271LA10PF	IDT72285L20PFI
IDT72225LB20PF	IDT72251L10PF	IDT72271LA10PFG	IDT72285L20TF
IDT72225LB25PF	IDT72251L15PF	IDT72271LA10TF	IDT72285L20TFI
IDT72225LB25PFG	IDT72251L15PFI	IDT72271LA15PF	IDT72291L10PF
IDT72225LB25PFI	IDT72251L25PF	IDT72271LA15PFI	IDT72291L10TF
IDT72225LB25TF	IDT72251L25PFI	IDT72271LA15TF	IDT72291L15PF
IDT72225LB25TFI	IDT72255LA10PF	IDT72271LA15TFI	IDT72291L15PFI
IDT72231L10PF	IDT72255LA10PFG	IDT72271LA20PF	IDT72291L15TF
IDT72231L15PF	IDT72255LA10TF	IDT72271LA20PFI	IDT72291L15TFI
IDT72231L15PFI	IDT72255LA10TFG	IDT72271LA20TF	IDT72291L20PF
IDT72231L25PF	IDT72255LA15PF	IDT72271LA20TFI	IDT72291L20PFI
IDT72231L25PFI	IDT72255LA15PFG	IDT72275L10PF	IDT72291L20TF
IDT72235LB10PF	IDT72255LA15PFGI	IDT72275L10PFG	IDT72291L20TFI
IDT72235LB10TF	IDT72255LA15PFI	IDT72275L10TF	IDT723611L15PF
IDT72235LB10TFG	IDT72255LA15TF	IDT72275L10TFG	IDT723611L15PQF
IDT72235LB15PF	IDT72255LA15TFI	IDT72275L15PF	IDT723611L20PF
IDT72235LB15PFG	IDT72255LA20PF	IDT72275L15PFI	IDT723611L20PFI
IDT72235LB15PFI	IDT72255LA20PFI	IDT72275L15TF	IDT723611L20PQF
IDT72235LB15TF	IDT72255LA20TF	IDT72275L15TFI	IDT723611L20PQFG
IDT72235LB15TFI	IDT72255LA20TFI	IDT72275L20PF	IDT723611L20PQFI
IDT72235LB25PF	IDT72261LA10PF	IDT72275L20PFI	IDT723612L15PF

Notes: For T & R (shipping method) "8" is added to the IDT p/n, "T" is added to the ICS p/n and "R2" is added to MPC p/n.



Integrated Device Technology, Inc.
6024 Silver Creek Valley Road, San Jose, CA 95138

PRODUCT/PROCESS CHANGE NOTICE (PCN)

ATTACHMENT II - PCN #: TB0609-03R2

Affected Part Number

Part Number	Part Number	Part Number	Part Number
IDT723612L15PQF	IDT723642L12PQFG	IDT72801L15TF	IDT72841L10TF
IDT723612L15PQFG	IDT723642L15PF	IDT72801L15TFI	IDT72841L15PF
IDT723612L20PF	IDT723642L15PQF	IDT72801L25PF	IDT72841L15PFG
IDT723612L20PFI	IDT723642L15PQFGI	IDT72801L25PFG	IDT72841L15PFI
IDT723612L20PQF	IDT723651L15PF	IDT72801L25PFI	IDT72841L15TF
IDT723612L20PQFI	IDT723651L15PQF	IDT72801L25TF	IDT72841L15TFI
IDT723613L15PF	IDT723651L20PF	IDT72801L25TFI	IDT72841L25PF
IDT723613L15PQF	IDT723651L20PFI	IDT72811L10PF	IDT72841L25PFI
IDT723613L20PF	IDT723651L20PQF	IDT72811L10PFG	IDT72841L25TF
IDT723613L20PFI	IDT723651L20PQFI	IDT72811L10TF	IDT72841L25TFI
IDT723613L20PQF	IDT723651L30PF	IDT72811L15PF	IDT72851L10PF
IDT723613L20PQFI	IDT723652L12PF	IDT72811L15PFG	IDT72851L10TF
IDT723614L15PF	IDT723652L12PQF	IDT72811L15PFI	IDT72851L15PF
IDT723614L15PQF	IDT723652L15PF	IDT72811L15TF	IDT72851L15PFI
IDT723614L20PF	IDT723652L15PQF	IDT72811L15TFI	IDT72851L15TF
IDT723614L20PFI	IDT723662L12PF	IDT72811L25PF	IDT72851L15TFI
IDT723614L20PQF	IDT723662L12PQF	IDT72811L25PFG	IDT72851L25PF
IDT723614L20PQFI	IDT723662L15PF	IDT72811L25PFI	IDT72851L25PFI
IDT723614L30PF	IDT723662L15PQF	IDT72811L25TF	IDT72851L25TF
IDT723614L30PQF	IDT723672L12PF	IDT72811L25TFI	IDT72851L25TFI
IDT723622L12PF	IDT723672L12PQF	IDT72821L10PF	IDT728980DB
IDT723622L12PQF	IDT723672L15PF	IDT72821L10PFG	IDT728981DB
IDT723622L15PF	IDT723672L15PQF	IDT72821L10TF	IDT728981DBG
IDT723622L15PQF	IDT72421L10PF	IDT72821L15PF	IDT728985DB
IDT723631L15PF	IDT72421L15PF	IDT72821L15PFI	IDT7290820PF
IDT723631L15PQF	IDT72421L15PFI	IDT72821L15TF	IDT72V10071L15TFI
IDT723631L20PF	IDT72421L25PF	IDT72821L15TFI	IDT72V10081L15PFI
IDT723631L20PFI	IDT72421L25PFI	IDT72821L25PF	IDT72V110163L10PF
IDT723631L20PQF	IDT72605L20PF	IDT72821L25PFI	IDT72V11071L15TFI
IDT723631L20PQFI	IDT72605L20PFG	IDT72821L25TF	IDT72V11081L15PFI
IDT723631L30PQF	IDT72605L25PF	IDT72821L25TFI	IDT72V11165L15TFI
IDT723632L12PF	IDT72605L35PF	IDT72831L10PF	IDT72V12071L15TFI
IDT723632L12PQF	IDT72605L50PF	IDT72831L10PFG	IDT72V12081L15PFI
IDT723632L15PF	IDT72615L20PF	IDT72831L10TF	IDT72V12165L15TFI
IDT723632L15PQF	IDT72615L25PF	IDT72831L15PF	IDT72V13071L15TFI
IDT723641L15PF	IDT72615L35PF	IDT72831L15PFI	IDT72V13081L15PFI
IDT723641L15PFG	IDT72615L50PF	IDT72831L15TF	IDT72V13165L15TFI
IDT723641L15PQF	IDT72801L10PF	IDT72831L15TFI	IDT72V14071L15TFI
IDT723641L20PF	IDT72801L10PFG	IDT72831L25PF	IDT72V14081L15PFI
IDT723641L20PFI	IDT72801L10TF	IDT72831L25PFI	IDT72V14165L15TFI
IDT723641L20PQF	IDT72801L15PF	IDT72831L25TF	IDT72V15160L10PFI
IDT723641L20PQFI	IDT72801L15PFG	IDT72831L25TFI	IDT72V15165L15TFI
IDT723642L12PF	IDT72801L15PFGI	IDT72841L10PF	IDT72V16160L10PFI
IDT723642L12PQF	IDT72801L15PFI	IDT72841L10PFG	IDT72V17160L10PFI

Notes: For T & R (shipping method) "8" is added to the IDT p/n, "T" is added to the ICS p/n and "R2" is added to MPC p/n.



Integrated Device Technology, Inc.
6024 Silver Creek Valley Road, San Jose, CA 95138

PRODUCT/PROCESS CHANGE NOTICE (PCN)

ATTACHMENT II - PCN #: TB0609-03R2

Affected Part Number

Part Number	Part Number	Part Number	Part Number
IDT72V18160L10PFI	IDT72V2113L15PF	IDT72V233L6PF	IDT72V255LA10TF
IDT72V19160L10PFI	IDT72V2113L15PFG	IDT72V233L7-5PF	IDT72V255LA10TFG
IDT72V201L10PF	IDT72V2113L6PF	IDT72V233L7-5PFI	IDT72V255LA15PF
IDT72V201L15PF	IDT72V2113L6PFG	IDT72V235L10PF	IDT72V255LA15PFG
IDT72V201L15PFI	IDT72V2113L7-5PF	IDT72V235L10PFG	IDT72V255LA15PFGI
IDT72V201L20PF	IDT72V2113L7-5PFGI	IDT72V235L10TF	IDT72V255LA15PFI
IDT72V205L10PF	IDT72V2113L7-5PFI	IDT72V235L10TFG	IDT72V255LA15TF
IDT72V205L10PFG	IDT72V211L10PF	IDT72V235L15PF	IDT72V255LA15TFG
IDT72V205L10TF	IDT72V211L15PF	IDT72V235L15PFG	IDT72V255LA15TFGI
IDT72V205L10TFG	IDT72V211L15PFI	IDT72V235L15PFI	IDT72V255LA15TFI
IDT72V205L15PF	IDT72V211L20PF	IDT72V235L15TF	IDT72V255LA20PF
IDT72V205L15PFGI	IDT72V215L10PF	IDT72V235L15TFI	IDT72V255LA20TF
IDT72V205L15PFI	IDT72V215L10TF	IDT72V235L20PF	IDT72V261LA10PF
IDT72V205L15TF	IDT72V215L10TFG	IDT72V235L20TF	IDT72V261LA10PFG
IDT72V205L15TFG	IDT72V215L15PF	IDT72V241L10PF	IDT72V261LA10TF
IDT72V205L15TFI	IDT72V215L15PFI	IDT72V241L15PF	IDT72V261LA10TFG
IDT72V205L20PF	IDT72V215L15TF	IDT72V241L15PFI	IDT72V261LA15PF
IDT72V205L20TF	IDT72V215L15TFG	IDT72V241L20PF	IDT72V261LA15PFI
IDT72V2101L10PF	IDT72V215L15TFI	IDT72V243L6PF	IDT72V261LA15TF
IDT72V2101L15PF	IDT72V215L20PF	IDT72V243L6PFG	IDT72V261LA15TFI
IDT72V2101L15PFI	IDT72V215L20TF	IDT72V243L7-5PF	IDT72V261LA20PF
IDT72V2101L20PF	IDT72V221L10PF	IDT72V243L7-5PFI	IDT72V261LA20TF
IDT72V2103L10PF	IDT72V221L15PF	IDT72V245L10PF	IDT72V263L10PF
IDT72V2103L10PFI	IDT72V221L15PFI	IDT72V245L10PFG	IDT72V263L10PFI
IDT72V2103L15PF	IDT72V221L20PF	IDT72V245L10TF	IDT72V263L15PF
IDT72V2103L15PFG	IDT72V223L6PF	IDT72V245L10TFG	IDT72V263L6PF
IDT72V2103L6PF	IDT72V223L6PFG	IDT72V245L15PF	IDT72V263L6PFG
IDT72V2103L6PFG	IDT72V223L7-5PF	IDT72V245L15PFG	IDT72V263L7-5PF
IDT72V2103L7-5PF	IDT72V223L7-5PFI	IDT72V245L15PFI	IDT72V263L7-5PFI
IDT72V2105L10PF	IDT72V225L10PF	IDT72V245L15TF	IDT72V265LA10PF
IDT72V2105L10PFG	IDT72V225L10PFG	IDT72V245L15TFG	IDT72V265LA10PFG
IDT72V2105L15PF	IDT72V225L10TF	IDT72V245L15TFGI	IDT72V265LA10TF
IDT72V2105L15PFGI	IDT72V225L10TFG	IDT72V245L15TFI	IDT72V265LA10TFG
IDT72V2105L15PFI	IDT72V225L15PF	IDT72V245L20PF	IDT72V265LA15PF
IDT72V2105L20PF	IDT72V225L15PFI	IDT72V245L20TF	IDT72V265LA15PFI
IDT72V2111L10PF	IDT72V225L15TF	IDT72V251L10PF	IDT72V265LA15TF
IDT72V2111L10PFG	IDT72V225L15TFI	IDT72V251L15PF	IDT72V265LA15TFGI
IDT72V2111L15PF	IDT72V225L20PF	IDT72V251L15PFI	IDT72V265LA15TFI
IDT72V2111L15PFGI	IDT72V225L20TF	IDT72V251L20PF	IDT72V265LA20PF
IDT72V2111L15PFI	IDT72V225L20TFG	IDT72V253L6PF	IDT72V265LA20TF
IDT72V2111L20PF	IDT72V231L10PF	IDT72V253L7-5PF	IDT72V271LA10PF
IDT72V2113L10PF	IDT72V231L15PF	IDT72V253L7-5PFI	IDT72V271LA10PFG
IDT72V2113L10PFGI	IDT72V231L15PFI	IDT72V255LA10PF	IDT72V271LA10TF
IDT72V2113L10PFI	IDT72V231L20PF	IDT72V255LA10PFG	IDT72V271LA15PF

Notes: For T & R (shipping method) "8" is added to the IDT p/n, "T" is added to the ICS p/n and "R2" is added to MPC p/n.



Integrated Device Technology, Inc.
6024 Silver Creek Valley Road, San Jose, CA 95138

PRODUCT/PROCESS CHANGE NOTICE (PCN)

ATTACHMENT II - PCN #: TB0609-03R2

Affected Part Number

Part Number	Part Number	Part Number	Part Number
IDT72V271LA15PFI	IDT72V283L6PFG	IDT72V3611L12PQF	IDT72V3641L20PF
IDT72V271LA15TF	IDT72V283L7-5PF	IDT72V3611L15PF	IDT72V3641L20PQF
IDT72V271LA15TFI	IDT72V283L7-5PFGI	IDT72V3611L15PQF	IDT72V3642L10PF
IDT72V271LA20PF	IDT72V283L7-5PFI	IDT72V3611L20PF	IDT72V3642L10PQF
IDT72V271LA20TF	IDT72V285L10PF	IDT72V3611L20PQF	IDT72V3642L15PF
IDT72V273L10PF	IDT72V285L10PFG	IDT72V3612L12PF	IDT72V3642L15PFI
IDT72V273L10PFG	IDT72V285L10TF	IDT72V3612L12PFG	IDT72V3642L15PQF
IDT72V273L10PFI	IDT72V285L10TFG	IDT72V3612L12PQF	IDT72V3642L20PF
IDT72V273L15PF	IDT72V285L15PF	IDT72V3612L12PQFG	IDT72V3651L15PF
IDT72V273L15PFG	IDT72V285L15PFI	IDT72V3612L15PF	IDT72V3651L15PQF
IDT72V273L6PF	IDT72V285L15TF	IDT72V3612L15PQF	IDT72V3651L20PF
IDT72V273L6PFG	IDT72V285L15TFI	IDT72V3612L15PQFG	IDT72V3651L20PQF
IDT72V273L7-5PF	IDT72V285L20PF	IDT72V3612L20PF	IDT72V3652L10PF
IDT72V273L7-5PFGI	IDT72V285L20TF	IDT72V3612L20PQF	IDT72V3652L10PQF
IDT72V273L7-5PFI	IDT72V291L10PF	IDT72V3613L12PF	IDT72V3652L15PF
IDT72V275L10PF	IDT72V291L10PFG	IDT72V3613L12PFG	IDT72V3652L15PQF
IDT72V275L10PFG	IDT72V291L10TF	IDT72V3613L12PQF	IDT72V3662L10PF
IDT72V275L10TF	IDT72V291L10TFG	IDT72V3613L15PF	IDT72V3662L10PQF
IDT72V275L10TFG	IDT72V291L15PF	IDT72V3613L15PQF	IDT72V3662L15PF
IDT72V275L15PF	IDT72V291L15PFI	IDT72V3613L20PF	IDT72V3662L15PQF
IDT72V275L15PFG	IDT72V291L15TF	IDT72V3613L20PQF	IDT72V3672L10PF
IDT72V275L15PFGI	IDT72V291L15TFI	IDT72V3614L12PF	IDT72V3672L10PQF
IDT72V275L15PFI	IDT72V291L20PF	IDT72V3614L12PFG	IDT72V3672L15PF
IDT72V275L15TF	IDT72V291L20TF	IDT72V3614L12PQF	IDT72V3672L15PFI
IDT72V275L15TFGI	IDT72V293L10PF	IDT72V3614L15PF	IDT72V3672L15PQF
IDT72V275L15TFI	IDT72V293L10PFI	IDT72V3614L15PQF	IDT72V3672L15PQFI
IDT72V275L20PF	IDT72V293L15PF	IDT72V3614L20PF	IDT72V3682L10PF
IDT72V275L20TF	IDT72V293L6PF	IDT72V3614L20PQF	IDT72V3682L10PFG
IDT72V281L10PF	IDT72V293L6PFG	IDT72V3622L10PF	IDT72V3682L15PF
IDT72V281L10PFG	IDT72V293L7-5PF	IDT72V3622L10PQF	IDT72V3682L15PFGI
IDT72V281L10TF	IDT72V293L7-5PFGI	IDT72V3622L15PF	IDT72V3692L10PF
IDT72V281L15PF	IDT72V293L7-5PFI	IDT72V3622L15PQF	IDT72V3692L15PF
IDT72V281L15PFG	IDT72V295L10PF	IDT72V3631L15PF	IDT72V70180PF
IDT72V281L15PFGI	IDT72V295L10PFG	IDT72V3631L15PQF	IDT72V70180PFG
IDT72V281L15PFI	IDT72V295L15PF	IDT72V3631L20PF	IDT72V70180TF
IDT72V281L15TF	IDT72V295L15PFG	IDT72V3631L20PQF	IDT72V70190PF
IDT72V281L15TFI	IDT72V295L15PFGI	IDT72V3632L10PF	IDT72V70190PFG
IDT72V281L20PF	IDT72V295L15PFI	IDT72V3632L10PFG	IDT72V70190TF
IDT72V281L20PFG	IDT72V295L20PF	IDT72V3632L10PQF	IDT72V70200PF
IDT72V281L20TF	IDT72V36102L10PF	IDT72V3632L15PF	IDT72V70200PFG
IDT72V283L10PF	IDT72V36102L10PFGI	IDT72V3632L15PQF	IDT72V70210DA
IDT72V283L10PFI	IDT72V36102L10PFI	IDT72V3641L15PF	IDT72V70210DAG
IDT72V283L15PF	IDT72V36102L15PF	IDT72V3641L15PFG	IDT72V70800PF
IDT72V283L6PF	IDT72V3611L12PF	IDT72V3641L15PQF	IDT72V70800PFG

Notes: For T & R (shipping method) "8" is added to the IDT p/n, "T" is added to the ICS p/n and "R2" is added to MPC p/n.



Integrated Device Technology, Inc.
6024 Silver Creek Valley Road, San Jose, CA 95138

PRODUCT/PROCESS CHANGE NOTICE (PCN)

ATTACHMENT II - PCN #: TB0609-03R2

Affected Part Number

Part Number	Part Number	Part Number	Part Number
IDT72V70800TF	IDT72V831L10PFG	IDT77305L12PFI	IDT79RC32T351-133DH
IDT72V70800TFG	IDT72V831L10TF	IDT77V011L155DA	IDT79RC32T351-133DHG
IDT72V70810PF	IDT72V831L15PF	IDT77V012L155DA	IDT79RC32T355-133DH
IDT72V70810PFG	IDT72V831L15PFI	IDT77V106L25TFGI	IDT79RC32T355-133DHG
IDT72V70810TF	IDT72V831L15TF	IDT77V106L25TFI	IDT79RC32T355-133DHI
IDT72V70810TFG	IDT72V831L15TFI	IDT77V107L25PFI	IDT79RC32T355-150DH
IDT72V70840DA	IDT72V831L20PF	IDT77V1264L200PGI	IDT79RC32T355-150DHG
IDT72V70840DAG	IDT72V831L20TF	IDT77V400S155DS	IDT79RC32T355-150DHI
IDT72V71623DA	IDT72V841L10PF	IDT77V400S156DS	IDT79RC32T355-180DH
IDT72V71623DAG	IDT72V841L10PFG	IDT77V500S25PF	IDT79RC32T355-180DHG
IDT72V71643DA	IDT72V841L10TF	IDT77V500S25PFI	IDT79RC32V134-DS
IDT72V71643DAG	IDT72V841L10TFG	IDT77V500S27PF	IDT79RC32V332-100DH
IDT72V73250DA	IDT72V841L15PF	IDT77V500S27PFI	IDT79RC32V332-100DHG
IDT72V73260DAG	IDT72V841L15PFG	IDT77V550S25DT	IDT79RC32V332-100DHI
IDT72V801L10PF	IDT72V841L15PFI	IDT77V7101PF	IDT79RC32V332-133DH
IDT72V801L10PFG	IDT72V841L15TF	IDT79R3041-16PF	IDT79RC32V332-133DHG
IDT72V801L10TF	IDT72V841L15TFGI	IDT79R3041-20PF	IDT79RC32V332-133DHI
IDT72V801L15PF	IDT72V841L15TFI	IDT79R3041-20PFG	IDT79RC32V332-150DH
IDT72V801L15PFI	IDT72V841L20PF	IDT79R3041-25PF	IDT79RC32V332-150DHG
IDT72V801L15TF	IDT72V841L20TF	IDT79R3041-25PFG	IDT79RC32V332-150DHI
IDT72V801L15TFI	IDT72V851L10PF	IDT79R3041-33PF	IDT79RC32V333-100DH
IDT72V801L20PF	IDT72V851L10PFG	IDT79R3041-33PFG	IDT79RC32V333-100DHI
IDT72V801L20TF	IDT72V851L10TF	IDT79R36100-20DH	IDT79RC32V333-133DH
IDT72V811L10PF	IDT72V851L15PF	IDT79R4640-100DZ	IDT79RC32V333-133DHI
IDT72V811L10PFG	IDT72V851L15PFI	IDT79R4640-133DZ	IDT79RC32V333-150DH
IDT72V811L10TF	IDT72V851L15TF	IDT79R4650-100DP	IDT79RC32V364-100DA
IDT72V811L10TFG	IDT72V851L15TFI	IDT79R4650-133DP	IDT79RC32V364-100DAG
IDT72V811L15PF	IDT72V851L20PF	IDT79R4700-100DP	IDT79RC32V364-133DA
IDT72V811L15PFG	IDT72V851L20TF	IDT79R4700-133DP	IDT79RC32V364-133DAG
IDT72V811L15PFI	IDT72V90823PF	IDT79R4700-80DP	IDT79RC64T574-200DZ
IDT72V811L15TF	IDT72V90823PFG	IDT79RC32T332-100DH	IDT79RC64T574-200DZI
IDT72V811L15TFI	IDT74SSTV16859NL	IDT79RC32T332-100DHI	IDT79RC64T574-250DZ
IDT72V811L20PF	IDT74SSTV16859NLG	IDT79RC32T332-133DH	IDT79RC64T574-250DZI
IDT72V811L20TF	IDT74SSTVF16859NL	IDT79RC32T332-133DHI	IDT79RC64T575-200DP
IDT72V821L10PF	IDT74SSTVF16859NLG	IDT79RC32T332-150DH	IDT79RC64T575-250DP
IDT72V821L10PFG	IDT74SSTVN16859CNLG	IDT79RC32T332-150DHI	IDT79RC64T575-250DPI
IDT72V821L10TF	IDT74SSTVN16859NL	IDT79RC32T333-100DH	IDT79RC64V474-180DZ
IDT72V821L15PF	IDT74SSTVN16859NLG	IDT79RC32T333-100DHI	IDT79RC64V474-180DZI
IDT72V821L15PFI	IDT77105L25TF	IDT79RC32T333-133DH	IDT79RC64V474-200DZ
IDT72V821L15TF	IDT77105L25TFI	IDT79RC32T333-133DHI	IDT79RC64V474-200DZI
IDT72V821L15TFI	IDT77252L155PG	IDT79RC32T333-150DH	IDT79RC64V474-250DZ
IDT72V821L20PF	IDT77252L155PGG	IDT79RC32T333-150DHI	IDT79RC64V475-180DP
IDT72V821L20TF	IDT77301L12PF	IDT79RC32T351-100DH	IDT79RC64V475-180DPI
IDT72V831L10PF	IDT77301L12PFI	IDT79RC32T351-100DHG	IDT79RC64V475-200DP

Notes: For T & R (shipping method) "8" is added to the IDT p/n, "T" is added to the ICS p/n and "R2" is added to MPC p/n.



Integrated Device Technology, Inc.
6024 Silver Creek Valley Road, San Jose, CA 95138

PRODUCT/PROCESS CHANGE NOTICE (PCN)

ATTACHMENT II - PCN #: TB0609-03R2

Affected Part Number

Part Number	Part Number	Part Number	Part Number
IDT79RC64V475-200DPI	ICS813076AYILF	IDT82V2048LDA	IDT82V3380PFG
IDT79RC64V475-250DP	ICS813076BY	IDT82V2048LDAG	IDT82V3380PFI
IDT79RC64V475-250DPI	ICS813076BYI	IDT82V2048SDA	IDT82V8313DS
IDT79RV3041-33PF	ICS813076BYILF	IDT82V2048SDAG	ICS8312AY
IDT79RV4640-100DU	ICS813076BYLF	IDT82V2051EPP	ICS8312AYI
IDT79RV4640-133DU	ICS813252AKI-02	IDT82V2051EPPG	ICS8316AK
IDT79RV4640-133DUG	ICS813252AKI-02LF	IDT82V2052EPF	ICS8316AKLF
IDT79RV4640-150DU	ICS813252BKI-02	IDT82V2052EPFG	ICS83210AY
IDT79RV4640-150DUG	ICS813252BKI-02LF	IDT82V2054DA	ICS83210AYLF
IDT79RV4640-180DU	ICS813264AKILF	IDT82V2054DAG	ICS8343AY-01
IDT79RV4640-180DUG	ICS813322AKI-02	IDT82V2058DA	ICS8343AYI-01
IDT79RV4640-200DU	ICS813322AKI-02LF	IDT82V2058DAG	ICS8344AY-01
IDT79RV4640-200DUG	ICS814001AK-21	IDT82V2058LDA	ICS8344AYI-01
IDT79RV4640-267DU	ICS814075AYI	IDT82V2058LDAG	ICS8344BY
IDT79RV4640-267DUG	ICS814075AYILF	IDT82V2058XDA	ICS8344BYI
IDT79RV4650-100DP	ICS814076AYI-02LF	IDT82V2058XDAG	ICS83848AK
IDT79RV4650-133DP	ICS814252AKI-02	IDT82V2081PP	ICS83905AK
IDT79RV4650-150DP	ICS814252AKI-02LF	IDT82V2081PPG	ICS83905AKLF
IDT79RV4650-180DP	ICS814252BKI-02	IDT82V2082PF	ICS83940AY-02
IDT79RV4650-200DP	ICS814252BKI-02LF	IDT82V2082PFG	ICS83940BY
IDT79RV4650-267DP	ICS814264AKILF	IDT82V3112NL	ICS83940DY
IDT79RV4700-100DP	ICS814322AKI-02	IDT82V32021NL	ICS83940DY-01
IDT79RV4700-133DP	ICS814322AKI-02LF	IDT82V32021NLG	ICS83940DYI
IDT79RV4700-150DP	IDT821024PP	IDT82V3202NL	ICS83940DYI-01
IDT79RV4700-175DP	IDT821024PPG	IDT82V3203ANL	ICS83940LYI
IDT79RV4700-200DP	IDT821034DN	IDT82V3203BNL	ICS83947AYI
IDT7MP4036S20M	IDT821034DNG	IDT82V3255DK	ICS83947AYI-147
IDT7MP4045S15M	IDT821054APF	IDT82V3255DKG	ICS83948AYI
ICS810001BK-21LF	IDT821054APFG	IDT82V3255TF	ICS83948AYI-01
ICS810001CK-21	IDT821054PQF	IDT82V3255TFG	ICS83948AYI-147
ICS810001CK-21LF	IDT821054PQFG	IDT82V3280DQ	ICS839893AYI
ICS81006AK	IDT821064PQF	IDT82V3280DQG	ICS840001AK-31
ICS81006AKI	IDT82P2281PF	IDT82V3280HPFG	ICS840001AK-33
ICS81006AKILF	IDT82P2281PFG	IDT82V3280PF	ICS840001AK-33LF
ICS81006AKLF	IDT82V1054APF	IDT82V3280PFG	ICS840001AK-34
ICS810252AKI-03LF	IDT82V1054APFG	IDT82V3285DQ	ICS840001AK-34LF
ICS810252BKI-02LF	IDT82V2041EPP	IDT82V3285DQG	ICS840001AKI-34
ICS810322AKI-02	IDT82V2041EPPG	IDT82V3355DKGI	ICS840001AKI-34LF
ICS810322AKI-02LF	IDT82V2042EPF	IDT82V3355DKI	ICS840002AKI-67
ICS813001AK-21	IDT82V2042EPFG	IDT82V3355TFG	ICS840002AKI-67LF
ICS813076AYI	IDT82V2044DA	IDT82V3355TFI	ICS840022AKI-02
ICS813076AYI-02LF	IDT82V2044DAG	IDT82V3380DQGI	ICS840022AKI-02LF
ICS813076AYI-30LF	IDT82V2048DA	IDT82V3380DQI	ICS8402010AKI
ICS813076AYI-31LF	IDT82V2048DAG	IDT82V3380PF	ICS8402010AKILF

Notes: For T & R (shipping method) "8" is added to the IDT p/n, "T" is added to the ICS p/n and "R2" is added to MPC p/n.



Integrated Device Technology, Inc.
6024 Silver Creek Valley Road, San Jose, CA 95138

PRODUCT/PROCESS CHANGE NOTICE (PCN)

ATTACHMENT II - PCN #: TB0609-03R2

Affected Part Number

Part Number	Part Number	Part Number	Part Number
ICS84021AY	ICS843002AKI-41LF	ICS84329BY	ICS844204AK-245LF
ICS8402AK	ICS843002AKI-72	ICS8432BK-51	ICS844204AKI-245
ICS8402AKLF	ICS843002AKI-72LF	ICS8432BK-51LF	ICS844204AKI-245LF
ICS8402AY	ICS843002BKI-72LF	ICS8432BY-51	ICS844256AK-24
ICS8402AYI	ICS843002BY-31LF	ICS8432BYI-51	ICS844256AK-24LF
ICS840S05AKI-01	ICS843002CY-31	ICS8432CY-11	ICS844256CK-24
ICS840S05AKI-01LF	ICS843002CY-31LF	ICS8432CY-111	ICS844256CK-24LF
ICS840S05AYI	ICS843020AY-01	ICS8432DY-101	ICS8442AKI-90
ICS840S05AYILF	ICS843022AKI-02	ICS8432DYI-101	ICS8442AKI-90LF
ICS840S07AKI-01	ICS843022AKI-02LF	ICS84330AY-03	ICS8442AY
ICS840S07AKI-01LF	ICS843034AY	ICS84330BY	ICS8442AYI
ICS840S07AYI	ICS843034AY-01	ICS84330CY	ICS844S012AK
ICS840S07AYILF	ICS843034AY-02	ICS84330CYI	ICS844S012AKI
ICS840S07BYI	ICS843034AY-04	ICS843S050AYI-01	ICS844S012AKILF
ICS840S07BYILF	ICS843034AY-06	ICS843S050AYI-01LF	ICS844S012AKLF
ICS841202AK-245LF	ICS8430AY-61	ICS843S050AYI-02LF	ICS844S2416AKI
ICS841202AKI-245	ICS8430AY-62	ICS843S050BYI-02LF	ICS844S2416AKILF
ICS841202AKI-245LF	ICS8430AY-71	ICS843S77AYILF	ICS845204AK
ICS841204AK-245LF	ICS8430AYI-61	ICS843S78AYILF	ICS845204AKLF
ICS841204AKI-245	ICS8430AYI-71	ICS844002AK	ICS8501BY
ICS841204AKI-245LF	ICS8430BY-71	ICS844002AKLF	ICS851021AY
ICS841402AKILF	ICS8430DY-111	ICS844003AKI-02LF	ICS851021AYLF
ICS841484AKI	ICS8430EY-01	ICS844003AKI-04LF	ICS8516FY
ICS841484AKILF	ICS8430EY-11	ICS844004AK-104	ICS8516FYI
ICS841608AKI	ICS8430EYI-01	ICS844004AK-104LF	ICS8520DY
ICS841608AKILF	ICS8430EYI-11	ICS844004AKI-104	ICS8520DYI-02
ICS841S012AKI	ICS84314AY	ICS844004AKI-104LF	ICS85210AY-21
ICS841S012AKILF	ICS84314AY-01	ICS844008AY-16	ICS85210AY-31
ICS842256AK-24	ICS84314AY-02	ICS844008AYI-01LF	ICS8521AYI-03
ICS842256AK-24LF	ICS84314BY	ICS844008AYI-02LF	ICS8521BY
ICS842256CK-24	ICS843202AYI	ICS844008AYI-15	ICS8521BYI
ICS842256CK-24LF	ICS843207AY-350	ICS844020AY-45	ICS8524AY
ICS8427DY-02	ICS843207BY-350	ICS844020AY-45LF	ICS8524AYLF
ICS842S02CK	ICS843207CY-350	ICS8440258AK-46	ICS85301AK
ICS842S02CKLF	ICS84320AK-01	ICS8440258AK-46LF	ICS85301AKLF
ICS842S02DKLF	ICS84320AK-01LF	ICS8440258AKI-46	ICS853031AY
ICS843001AK-40	ICS84320AY-01	ICS8440258AKI-46LF	ICS8530DY
ICS843001AK-40LF	ICS84320AYI-01	ICS8440259AK-05	ICS8530DY-01
ICS843002AK-40	ICS84321AY	ICS8440259AK-05LF	ICS8530DYI-01
ICS843002AK-40LF	ICS84321AYI	ICS8440259AK-45	ICS8530DYI-01LF
ICS843002AK-41	ICS843256AK-24	ICS8440259AK-45LF	ICS85310AYI-01
ICS843002AKI-40	ICS843256AK-24LF	ICS844202AK-245LF	ICS85310AYI-11
ICS843002AKI-40LF	ICS843256CK-24	ICS844202AKI-245	ICS85310AYI-21
ICS843002AKI-41	ICS843256CK-24LF	ICS844202AKI-245LF	ICS85310AYI-31

Notes: For T & R (shipping method) "8" is added to the IDT p/n, "T" is added to the ICS p/n and "R2" is added to MPC p/n.



Integrated Device Technology, Inc.
6024 Silver Creek Valley Road, San Jose, CA 95138

PRODUCT/PROCESS CHANGE NOTICE (PCN)

ATTACHMENT II - PCN #: TB0609-03R2

Affected Part Number

Part Number	Part Number	Part Number	Part Number
ICS853111AY	ICS858011AKLF	ICS8735AY-01	ICS87972DYILF
ICS853111AY-02	ICS858012AK	ICS8735AY-31	ICS87973DYI
ICS853111AY-02LF	ICS858018AK	ICS8735AYI-01	ICS87973DYI-147
ICS853111BK	ICS858018AKLF	ICS8735AYI-31	ICS87973DYILF
ICS853111BY	ICS858020AK	ICS873990AY	ICS87974AYI
ICS853111BYLF	ICS858020AKLF	ICS873990AYLF	ICS87974AYI-01
ICS8531AY-01	ICS8602BY	ICS873991AY	ICS87974BYI
ICS853210AY	ICS8624BY	ICS873991AY-147	ICS87974BYILN
ICS853210BY	ICS8624BYI	ICS873991AY-147LF	ICS87974CYI
ICS8532AY-01	ICS8634BK-01	ICS873991AYLF	ICS87974CYILF
ICS8532AY-01LF	ICS8634BY-01	ICS873995AY	ICS87974CYILN
ICS8534AY-01	ICS86953BYI	ICS873995AYLF	ICS879893AYI
ICS8534AY-01LF	ICS86953BYI-147	ICS873996AY	ICS87993AYI
ICS85352AYI	ICS86953BYI-20	ICS873996AYLF	ICS889831AK
ICS85352AYILF	ICS86962CYI-01	ICS874001AK	ICS889831AKLF
ICS85354AK	ICS87016AY	ICS8743004AKILF	ICS889832AK
ICS85354AK-01	ICS87016AYI	ICS8743008AKILF	ICS889832AKLF
ICS85354AK-01LF	ICS8701AY-01	ICS8745BY	ICS889833AK
ICS85354AKLF	ICS8701CY	ICS8745BYI	ICS889833AKLF
ICS8535AK-01	ICS8701CY-20	ICS8752CY	ICS889834AK
ICS8535AK-01LF	ICS8701CYI	ICS8752CYI	ICS889834AKLF
ICS8535BK-01	ICS8702BY	ICS87608AYI	ICS889871AK
ICS8537AY-01	ICS8705BY	ICS8761CY	ICS889871AKLF
ICS853S1208AYI	ICS8705BYI	ICS8761CYI	ICS889872AK
ICS853S12AKILF	ICS870S208BK	ICS8761CYILF	ICS889872AKLF
ICS85401AK	ICS870S208BKLF	ICS8761CYLF	ICS889873AK
ICS85401AKLF	ICS871001AK	ICS8761CYLN	ICS889873AKLF
ICS854210CY	ICS871004AKI-02LF	ICS87931AYI-147	ICS889874AK
ICS85454AK	ICS871004AKI-04LF	ICS87931BYI	ICS889874AKLF
ICS85454AK-01	ICS8714004AKILF	ICS87946AYI	ICS889875AK
ICS85454AK-01LF	ICS8714008AKILF	ICS87946AYI-01	ICS889875AKLF
ICS85454AKI	ICS8725AY-01	ICS87946AYI-147	ICS889876AK
ICS85454AKILF	ICS8725AYI-01	ICS87949AYI	ICS8EN31AK
ICS85454AKLF	ICS872S33BYLF	ICS87949AYI-01	ICS8EN31AKLF
ICS8547AY	ICS872S33CYLF	ICS87949AYI-147	ICS932S309CK
ICS854S1208AYI	ICS873093AKI	ICS87949AYILF	ICS93V857BK-130
ICS854S1208AYILF	ICS873093AKILF	ICS87950BYI	ICS952909AKLF
ICS854S202AYI	ICS8731CY-01	ICS87951AYI	ICS952909BKLF
ICS854S54AKI-04	ICS87322BYI	ICS87951AYI-147	ICS954226AKLF
ICS854S54AKI-04LF	ICS87322BYILF	ICS87952AY-147	ICS954305DKLF
ICS854S54AYI-08	ICS8732AY-01	ICS87952AYI-147	ICS954309BKLF
ICS854S54AYI-08LF	ICS8732AY-01LF	ICS87972DYI	ICS95V2F857AK
ICS85554AKLF	ICS8732AYI-01	ICS87972DYI-147	ICS95V2F857AKLF
ICS858011AK	ICS8733BY-01	ICS87972DYI-147LF	ICS95V857AK

Notes: For T & R (shipping method) "8" is added to the IDT p/n, "T" is added to the ICS p/n and "R2" is added to MPC p/n.



Integrated Device Technology, Inc.
6024 Silver Creek Valley Road, San Jose, CA 95138

PRODUCT/PROCESS CHANGE NOTICE (PCN)

ATTACHMENT II - PCN #: TB0609-03R2

Affected Part Number

Part Number	Part Number	Part Number	Part Number
ICS95V857AK-130	ICS9LPR333BKLF	IDTCSPU877DNLG	MPC9351FA
ICS95V857AK-130LF	ICS9LPR333DKLF	IDTCSPU877NL	MPC9352FA
ICS95V857AKLF	ICS9LPR335CKLF	IDTCSPUA877ANLG	MPC93H51FA
ICS95V857CK	ICS9LPR342AKLF	IDTCV150NLG	MPC93H52FA
ICS95V857CKLF	ICS9LPR342BKLF	IDTCV164NLG	MPC93R51FA
ICS95VLP857AK	ICS9LPR502HKLF	IDTCV169CNLG	MPC93R52FA
ICS95VLP857AKLF	ICS9LPR515BKLF	IDTCV179CNLG	MPC940LFA
ICS95VLP857AKLF_	ICS9LPR515CKLF	IDTCV180ANLG	MPC941FA
ICS97U870AK	ICS9LPR800BKLF	IDTCV180BNLG	MPC942CFA
ICS97U870AKI	ICS9LPR800CKLF	ICSKDI100Y	MPC942PFA
ICS97U870AKLF	ICS9LPR802BKLF	ICSLCK4516FY	MPC9443FA
ICS97U877AK	ICS9LPRS228CKLF	ICSLCK4547AY	MPC9446FA
ICS97U877AKI	ICS9LPRS319DKLF	MC100ES6111FA	MPC9447FA
ICS97U877AKLF	ICS9LPRS319EKLF	MC100ES6210FA	MPC9448FA
ICS97ULP877AK	ICS9LPRS333AKLF	MC100ES6220AE	MPC9449AE
ICS97ULP877AKLF	ICS9LPRS339AKLF	MC100ES6220TB	MPC9449FA
ICS97ULP877BK	ICS9LPRS355AKLF	MC100ES6221AE	MPC9456FA
ICS97ULP877BKLF	ICS9LPRS355BKLF	MC100ES6221TB	MPC9600FA
ICS97ULP878AK	ICS9LPRS355CKLF	MC100ES6222AE	MPC9608FA
ICS97ULP878AKLF	ICS9LPRS355DKLF	MC100ES6222TB	MPC961CFA
ICS97ULP878BK	ICS9LPRS357AKLF	MC100ES6226FA	MPC961PFA
ICS97ULP878BKLF	ICS9LPRS365BKLF	MC100ES6254FA	MPC9653AFA
ICS98ULPA877AKILF	ICS9LPRS365CKLF	MC100ES8014DT	MPC9658FA
ICS98ULPA877AKLF	ICS9LPRS365DKLF	MC100ES8111FA	MPC972FA
ICS9DB202CK-01	ICS9LPRS472BKLF	MC12429FA	MPC9772AE
ICS9DB202CK-01LF	ICS9LPRS477AKLF	MC12430FA	MPC9772FA
ICS9DBL411AKLF	ICS9LPRS501PKLF	MC68160AEB	MPC9773AE
ICS9FG1900AK-1LF	ICS9LPRS502HKLF	MC68160AFB	MPC9773FA
ICS9FG1901CK	ICS9LPRS528AKLF	MC68160BFB	MPC9774AE
ICS9FG1902AK	ICS9LPRS528BKLF	MPC9109FA	MPC9774FA
ICS9FG1902AKLF	ICS9LPRS910AKLF	MPC9229FA	MPC97H73AE
ICS9FG1903AK-1LF	ICS9LPRS911AKLF	MPC9230FA	MPC97H73FA
ICS9FG1903AK-2LF	ICS9LPRS915AKLF	MPC9239FA	MPC97H74AE
ICS9FG1904BK-1LF	ICS9UM701AKLF	MPC92429FA	MPC97H74FA
ICS9FGP201BKLF	ICS9UM706AKLF	MPC92432FA	MPC9824FA
ICS9FGP202AKLF	ICS9UMS9001AKLF	MPC92433BFA	MPC9893FA
ICS9LP505-2HKLF	IDTAS3699NDG	MPC92433FA	MPC9992FA
ICS9LPR309AKLF	IDTAS4684NDG	MPC92439FA	MPC9993FA
ICS9LPR309BKLF	IDTCSPT857CNL	MPC92469FA	MPC99J93FA
ICS9LPR311AKLF	IDTCSPT857CNLG	MPC930FA	SC97H73XAE
ICS9LPR311BKLF	IDTCSPT857DNL	MPC9315FA	SC97H73XFA
ICS9LPR321BKLF	IDTCSPT857DNLG	MPC9330FA	SC9990FA
ICS9LPR323AKLF	IDTCSPU877ANL	MPC9331FA	ICSSSTV16859CK
ICS9LPR325CKLF	IDTCSPU877ANLG	MPC9350FA	ICSSSTV16859CKLF

Notes: For T & R (shipping method) "8" is added to the IDT p/n, "T" is added to the ICS p/n and "R2" is added to MPC p/n.



Integrated Device Technology, Inc.
6024 Silver Creek Valley Road, San Jose, CA 95138

PRODUCT/PROCESS CHANGE NOTICE (PCN)

ATTACHMENT II - PCN #: TB0609-03R2

Affected Part Number

Part Number	Part Number	Part Number	Part Number
ICSSSTVA16859AK	ICSSSTVA16859CK	ICSSSTVF16859BK	ICSV104YLF
ICSSSTVA16859AKLF	ICSSSTVA16859CKLF	ICSSSTVF16859BKLF	IDTV105ADAG
ICSSSTVA16859BK	ICSSSTVA16859DKLF	ICSV103AYLF	
ICSSSTVA16859BKLF	ICSSSTVF16859AK	ICSV103YLF	

Notes: For T & R (shipping method) "8" is added to the IDT p/n, "T" is added to the ICS p/n and "R2" is added to MPC p/n.