



Integrated Device Technology, Inc.
6024 Silver Creek Valley Road, San Jose, CA - 95138

PRODUCT/PROCESS CHANGE NOTICE (PCN)

PCN #: TB1311-01 Product Affected: VFQFPN-28, VFQFPN-40, VFQFPN-48 shipped in Tape & Reel (Refer to Attachment II for affected part#) Date Effective: July 9, 2014	DATE April 9, 2014	MEANS OF DISTINGUISHING CHANGED DEVICES: <input type="checkbox"/> Product Mark <input type="checkbox"/> Back Mark <input type="checkbox"/> Date Code <input checked="" type="checkbox"/> Other Shipment starting from July 9, 2014.
--	---------------------------	--

Contact: IDT PCN DESK E-mail: pcndesk@idt.com	Attachment: <input checked="" type="checkbox"/> Yes <input type="checkbox"/> No Samples: N/A
---	---

DESCRIPTION AND PURPOSE OF CHANGE:

<input type="checkbox"/> Die Technology <input type="checkbox"/> Wafer Fabrication Process <input type="checkbox"/> Assembly Process <input type="checkbox"/> Equipment <input type="checkbox"/> Material <input type="checkbox"/> Testing <input type="checkbox"/> Manufacturing Site <input type="checkbox"/> Data Sheet <input checked="" type="checkbox"/> Other - Packaging	<p>This notification is to advise our customers that IDT has qualified a new revision of carrier tape.</p> <p>The new carrier tape has changes in pocket design and dimensions however quantity per reel remains unchanged.</p> <p>Attachment I - Additional information on new carrier tape Attachment II - Affected part list Attachment III - Existing and New Carrier Tape Drawings</p>
--	---

RELIABILITY/QUALIFICATION SUMMARY:

New carrier tape passed IDT internal qualification requirements and complies with EIA-481-D standard.

CUSTOMER ACKNOWLEDGMENT OF RECEIPT:

IDT records indicate that you require written notification of this change. Please use the acknowledgement below or E-Mail to grant approval or request additional information. If IDT does not receive acknowledgement within 30 days of this notice it will be assumed that this change is acceptable.

IDT reserves the right to ship either version manufactured after the process change effective date until the inventory on the earlier version has been depleted.

Customer: _____	<input type="checkbox"/> <i>Approval for shipments prior to effective date.</i>
Name/Date: _____	E-Mail Address: _____
Title: _____	Phone# /Fax# : _____

CUSTOMER COMMENTS: _____

IDT ACKNOWLEDGMENT OF RECEIPT:

RECD. BY: _____ DATE: _____



Integrated Device Technology, Inc.
6024 Silver Creek Valley Road, San Jose, CA - 95138

PRODUCT/PROCESS CHANGE NOTICE (PCN)

ATTACHMENT I - PCN #: TB1311-01

PCN Type: Packaging

Data Sheet Change: None

Detail of Change: This notification is to advise our customers that IDT has qualified a new revision of carrier tape for package VFQFPN-28, VFQFPN-40 and VFQFPN-48.

The new carrier tape has changes in pocket design and dimensions however quantity per reel remains unchanged.

The new carrier tape complies with the requirement of EIA-481-D standard.

The new carrier tape passed the IDT internal qualification requirements. Refer to Table 1 for the qualification results.

Refer to to Table 2, Figure 1 and 2 for the comparison of the existing and new carrier tape in terms of carrier tape pocket dimensions and pocket designs respectively.

Qualification Test Plan and Result:

Table 1: IDT Internal Qualification Results

Description	Reject/Sample Size	Result
Peel Strength Test	0/5 strips	Pass
Visual/Mechanical	0/5 pockets	Pass
Surface Resistivity Test	0/5 pockets	Pass
Drop Test, 6 ft	0/1 reel	Pass
Dimensional	0/5 pockets	Pass



Integrated Device Technology, Inc.
6024 Silver Creek Valley Road, San Jose, CA - 95138

PRODUCT/PROCESS CHANGE NOTICE (PCN)

ATTACHMENT I - PCN #: TB1311-01

Table 2: Comparison of Existing Carrier Tape and New Carrier Tape

Description	Existing Carrier Tape	Existing Carrier Tape	New Carrier Tape
Product Group	Group A ¹	Group B ²	Group A & Group B
IDT Carrier Tape Part#	P8-364-N40	P8-230-N40	P8-448-000
IDT Carrier Tape Drawing#	MSC-5902	MSC-3454	MSC-7371
Supplier Carrier Tape Part#	QFN6X6GP-22B3-360C-SD	NL40-22B3-128C-SD	QFN6X6P8GP-20B3-360C-SD
Supplier	PCT	PCT	PCT
Pocket Width, Ao (mm)	6.3 ± 0.1	6.4 ± 0.1	6.3 ± 0.1
Pocket Length, Bo (mm)	6.3 ± 0.1	6.4 ± 0.1	6.3 ± 0.1
Pocket Depth, Ki (mm)	N/A	1.2 ± 0.1	N/A
Pocket Pitch, P1 (mm)	12.0 ± 0.1	8.0 ± 0.1	8.0 ± 0.1
Total Pocket Depth, Ko (mm)	1.1 ± 0.1	1.5 ± 0.1	1.1 ± 0.1
Carrier Tape Width, W (mm)	16.0 ± 0.3	16.0 ± 0.3	16.0 ± 0.3
Carrier Tape Thickness, T (mm)	0.30 ± 0.05	0.30 ± 0.05	0.30 ± 0.05

Notes:

1. Group A - VFQFPN-48 from ICS market segment (except 9UMS9633B)
 - VFQFPN-40 from ICS market segment (except 95V2F857A, 95V857A, 95VLP857A, 97U877A, 98ULPA877A)
2. Group B - VFQFPN-48 from IDT market segment
 - VFQFPN-48, 9UMS9633B
 - VFQFPN-40 from IDT market segment
 - VFQFPN-40, 95V2F857A, 95V857A, 95VLP857A, 97U877A, 98ULPA877A
 - VFQFPN-28 from IDT market segment



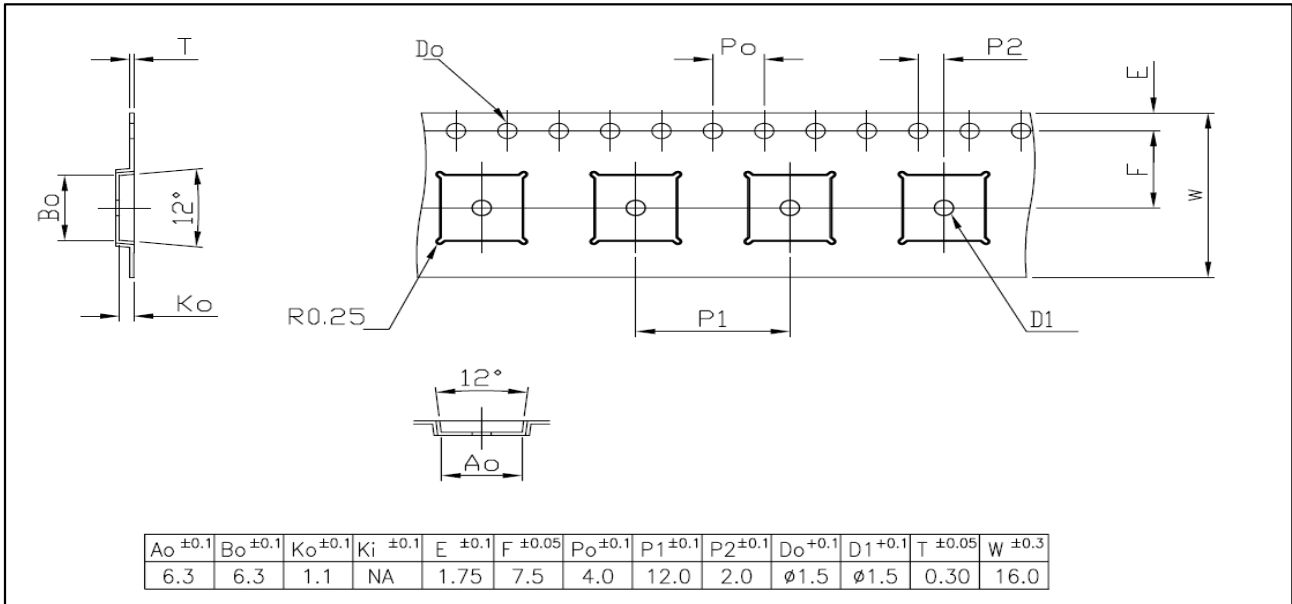
Integrated Device Technology, Inc.
6024 Silver Creek Valley Road, San Jose, CA - 95138

PRODUCT/PROCESS CHANGE NOTICE (PCN)

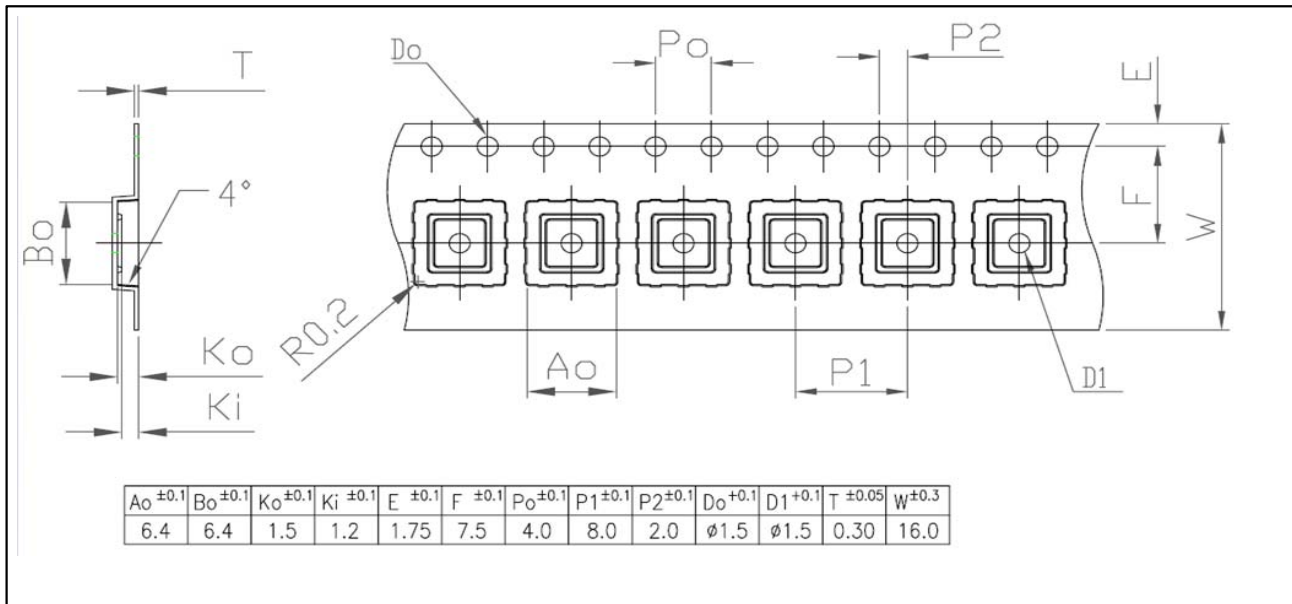
ATTACHMENT I - PCN #: TB1311-01

Figure1: Illustration of Existing Carrier Tape Pocket and New Carrier Tape Pocket

Existing Carrier Tape (P8-364-N40) - Pocket Dimensions



Existing Carrier Tape (P8-230-N40) - Pocket Dimensions



**Note: All dimensions are in mm. Refer to the attached carrier tape drawings for more details.*

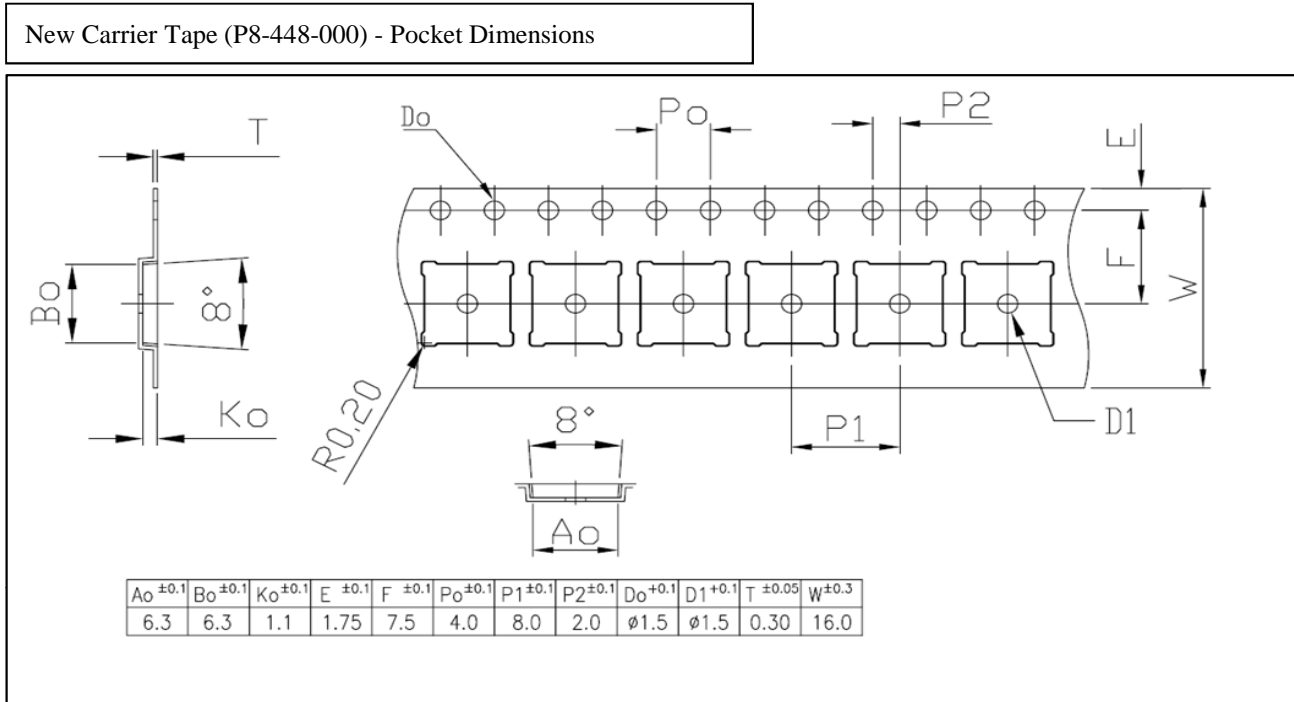


Integrated Device Technology, Inc.
6024 Silver Creek Valley Road, San Jose, CA - 95138

PRODUCT/PROCESS CHANGE NOTICE (PCN)

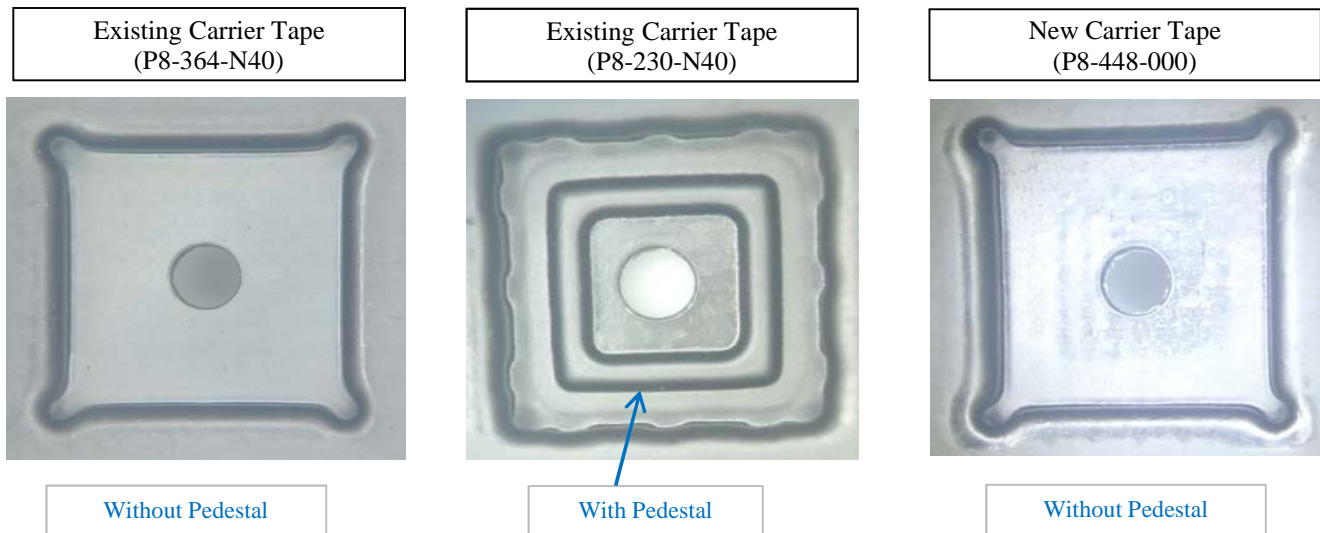
ATTACHMENT I - PCN #: TB1311-01

Figure1: Illustration of Existing Carrier Tape Pocket and New Carrier Tape Pocket



**Note: All dimensions are in mm. Refer to the attached carrier tape drawings for more details.*

Figure2: Illustration of Existing Carrier Tape Pocket Design and New Carrier Tape Pocket Design





Integrated Device Technology, Inc.
6024 Silver Creek Valley Road, San Jose, CA - 95138

PRODUCT/PROCESS CHANGE NOTICE (PCN)

ATTACHMENT II - PCN #: TB1311-01

Affected Part Numbers (Group A)

Part Number	Part Number	Part Number	Part Number
932SL901AKLFT	9UM702BKLFT	849N202CKI-001LFT	849N212CKI-007LFT
932SQ428AKLFT	9UMS9610BKLFT	849N202CKI-002LFT	849N212CKI-008LFT
932SQ428AKLFT-INT	9UMS9610CKLFT	849N202CKI-005LFT	849N212CKI-010LFT
932SQ430AKLFT	9VRS4338DKILFT	849N202CKI-006LFT	849N212CKI-999LFT
932SV901AKLFT	9VRS4338DKLFT	849N202CKI-007LFT	849N212CKILFT
9CPS4595AKLFT	9VRS4338DKLFT-INT	849N202CKI-008LFT	8714004DKILFT
9DBV0631AKILFT	9VRS4420BKLFT	849N202CKI-009LFT	8743004DKILFT
9DBV0631AKLFT	9VRS4420BKLFT-INO	849N202CKI-010LFT	97U870AKLFT
9DBV0831AKILFT	9VRS4420DKLFT	849N202CKI-011LFT	97ULP877BKLFW
9DBV0831AKLFT	9VRS4420DKLFT-INT	849N202CKI-012LFT	97ULP877BKLFT
9DBV0841AKILFT	9VRS4450AKLFT	849N202CKI-013LFT	97ULP877BKLFT/M
9DBV0841AKLFT	9VRS4450AKLFT-INT	849N202CKI-014LFT	98UAE877AKLFT
9DBV0841AKLFT-INT	9ZXL0831AKLFT	849N202CKI-015LFT	9DBV0630AKILFT
9EMS9633BKILFT	9ZXL0851AKLFT	849N202CKI-016LFT	9DBV0630AKLFT
9EMS9633BKILFT-EMR	1894K-40LFT	849N202CKI-017LFT	9DBV0830AKILFT
9EMS9633BKLFT	1894K-43LFT	849N202CKI-018LFT	9DBV0830AKLFT
9FG832AKILFT	1894KI-40LFT	849N202CKI-019LFT	9FGP202AKLFT
9FG832AKLFT	1894KI-43LFT	849N202CKI-020LFT	9FGP202AKLFT-INT
9FGL839AKILFT	813N2560CKLFT	849N202CKI-021LFT	9FGP202AKLFT-SUN
9FGL839AKLFT	840N202CKI-000LFT	849N202CKI-022LFT	9FGP204BKLFT
9FGV0831CKILFT	840N202CKI-001LFT	849N202CKI-023LFT	9FGP204BKLFT-INT
9FGV0831CKLFT	840N202CKI-999LFT	849N202CKI-999LFT	9FGP205AKLFT
9FGV0841AKILFT	840N202CKILFT	849N202CKILFT	9LRS4116AKLFT
9FGV0841AKLFT	843N571AKILFT	849N212CKI-004LFT	
9LPRS436CKILFT	843N571BKILFT	849N212CKI-005LFT	
9LPRS436CKLFT	849N202CKI-000LFT	849N212CKI-006LFT	



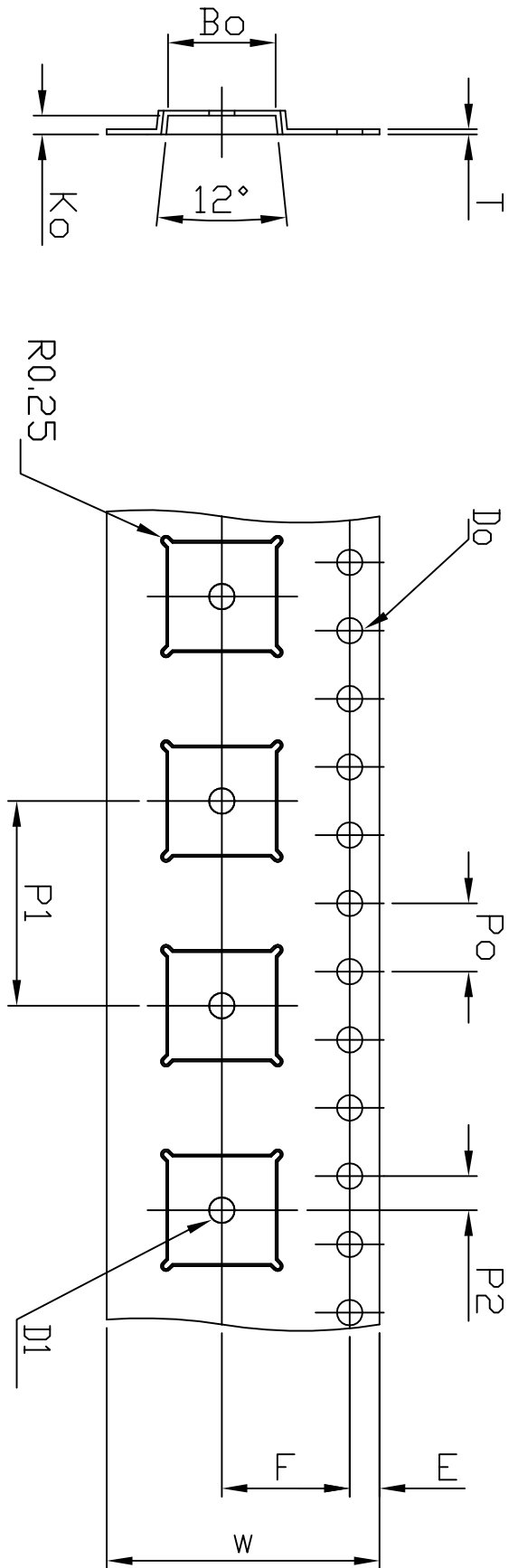
Integrated Device Technology, Inc.
6024 Silver Creek Valley Road, San Jose, CA - 95138

PRODUCT/PROCESS CHANGE NOTICE (PCN)

ATTACHMENT II - PCN #: TB1311-01

Affected Part Numbers (Group B)

Part Number	Part Number	Part Number	Part Number
6INT61041NDG8	5T93GL10NLG18	8T49N105A-003NLG18	8T49N205A-003NLG18
6P41283NDG8	6V49126NLG18	8T49N105ANLG18	8T49N205A-004NLG18
6P41302NDG18	6V49206NLG18	8T49N203A-000NLG18	8T49N205A-005NLG18
6V49061ANDG8	8P34S1212NLG18	8T49N203A-001NLG8	8T49N205A-006NLG18
6V49061NDG8	8SLVP1212ANLGI/W	8T49N203A-001NLG18	8T49N205A-007NLG18
6V49125NDG8	8SLVP1212ANLG18	8T49N203A-002NLG18	8T49N205A-009NLG18
9UMS9633BKILFT	8SLVP2106ANLGI/W	8T49N203A-003NLG18	8T49N205A-999NLG18
9UMS9633BKLF	8SLVP2106ANLG18	8T49N203A-005NLG18	8T49N205ANLG18
5T929-10NLG18	8T43N408A-010NLG18	8T49N203A-006NLG18	8T49N205NLG18
5T929-10NLI8	8T49N006A-000NLG18	8T49N203A-007NLG18	8T49N524-001NLG18
5T929-30NLG18	8T49N006A-001NLG18	8T49N203A-009NLG18	8T49N524-002NLG18
5T929-30NLI8	8T49N006A-055NLG18	8T49N203A-010NLG18	8T49N524-003NLG18
5T9306NLG18	8T49N006A-056NLG18	8T49N203A-012NLG18	8T49N524-004NLG18
5T9306NLI8	8T49N006A-057NLG18	8T49N203A-013NLG18	8T49N524-005NLG18
5T93GL06NLG18	8T49N006A-999NLG18	8T49N203A-014NLG18	8T49N524-007NLG18
5T93GL06NLI8	8T49N006ANLG18	8T49N203A-015NLG18	8V14S204NLG18
5T940-10NLG18	8T49N008A-000NLG18	8T49N203A-016NLG18	95V2F857AKLFT
5T940-10NLI8	8T49N008A-005NLG18	8T49N203A-017NLG18	95V857AK-130LFT
5T940-30NLG18	8T49N008A-012NLG18	8T49N203A-018NLG18	95V857AKLF/W
5T940-30NLI8	8T49N008A-016NLG18	8T49N203A-019NLG18	95V857AKLFT
5V9885-020NLG18	8T49N008A-024NLG18	8T49N203A-023NLG18	95V857AKLFT/M
5V9885BNLG18	8T49N008A-030NLG18	8T49N203A-024NLG18	95VLP857AKLFT
5V9885C-021NLG18	8T49N008A-038NLG18	8T49N203A-025NLG18	97U877AKLFT
5V9885CNLG18	8T49N008A-040NLG18	8T49N203A-027NLG18	98ULPA877AKILFT
5V9885KNLG18	8T49N008A-041NLG18	8T49N203A-999NLG18	98ULPA877AKLFT
5V9885T-006NLG18	8T49N008A-044NLG18	8T49N203ANLG18	CSPT857CNLG/W
5V9885T-007NLG18	8T49N008A-045NLG18	8T49N205-000NLG18	CSPT857CNLG8
5V9885T-012NLG18	8T49N008A-046NLG18	8T49N205-001NLG18	CSPT857CNLG18
5V9885T-016NLG18	8T49N008A-048NLG18	8T49N205-003NLG18	CSPT857DNLG8
5V9885T-018NLG18	8T49N008A-050NLG18	8T49N205-004NLG18	CSPU877ANLG8
5V9885T-019NLG18	8T49N008A-051NLG18	8T49N205-005NLG18	CSPU877DNLG/W
5V9885T-020NLG18	8T49N008A-052NLG18	8T49N205-006NLG18	CSPU877DNLG8
5V9885T-021NLG18	8T49N008A-053NLG18	8T49N205-007NLG18	CSPUA877ANLG8
5V9885TNLG18	8T49N008A-054NLG18	8T49N205-009NLG18	CSPUA877ANLG18
5V9888NLG18	8T49N008A-055NLG18	8T49N205-010NLG18	CSPUA877BNLG8
5V9888T-020NLG18	8T49N008A-999NLG18	8T49N205-999NLG18	CSPUA877BNLG18
5V9888TNLG18	8T49N008ANLG18	8T49N205A-000NLG18	
8R9306NLG18	8T49N105A-001NLG18	8T49N205A-001NLG18	
5T9310NLG18	8T49N105A-002NLG18	8T49N205A-002NLG18	



$A_0 \pm 0.1$	$B_0 \pm 0.1$	$K_0 \pm 0.1$	$K_1 \pm 0.1$	$E \pm 0.1$	$F \pm 0.05$	$P_0 \pm 0.1$	$P_1 \pm 0.1$	$P_2 \pm 0.1$	$D_0 + 0.1$	$D_1 + 0.1$	$T \pm 0.05$	$W \pm 0.3$
6.3	6.3	1.1	NA	1.75	7.5	4.0	12.0	2.0	Ø1.5	Ø1.5	0.30	16.0

NOTES : (UNLESS OTHERWISE SPECIFIED)

- SUPPLIER : PCT
- SUPPLIER PART NUMBER : QFN66GP-22B3-360C-SD
- TO SPROCKET HOLE PITCHES CUMULATIVE TOLERANCE ±0.2mm
- REFER TO MSA-3018 FOR THE ALLOWABLE CAMBER REQUIREMENT.
- MATERIAL : BLACK CONDUCTIVE POLYSTYRENE
- K_0 AND B_0 MEASURED ON A PLANE 0.3 MM ABOVE THE BOTTOM OF THE POCKET.
- K_0 MEASURED FROM A PLANE ON THE INSIDE BOTTOM OF THE POCKET TO THE TOP SURFACE OF THE CARRIER.
- POCKET POSITION RELATIVE TO SPROCKET HOLE MEASURED AS TRUE POSITION OF POCKET, NOT POCKET HOLE.
- POCKET CENTER AND POCKET HOLE CENTER MUST BE SAME POSITION.
- REFER TO MAA-3092 & MSA-3018 FOR THE IDT STANDARD REQUIREMENT FOR CARRIER TAPE.
- ALL THE DIMENSIONS ARE IN MILLIMETERS (MM).
- LENGTH PER ROLL = 360 METERS.
- APPLICABLE TO :
- ICS MARKET SEGMENT'S ND/NDG 48 EXCEPT 9UMS6633B PRODUCTS.
- ICS MARKET SEGMENT'S NL/NLG 40 EXCEPT 95V2F857A, 95V857A, 95VLP857A, 97U877A, 98ULPA877A PRODUCTS.
- TA/TAG 68 PACKAGE.

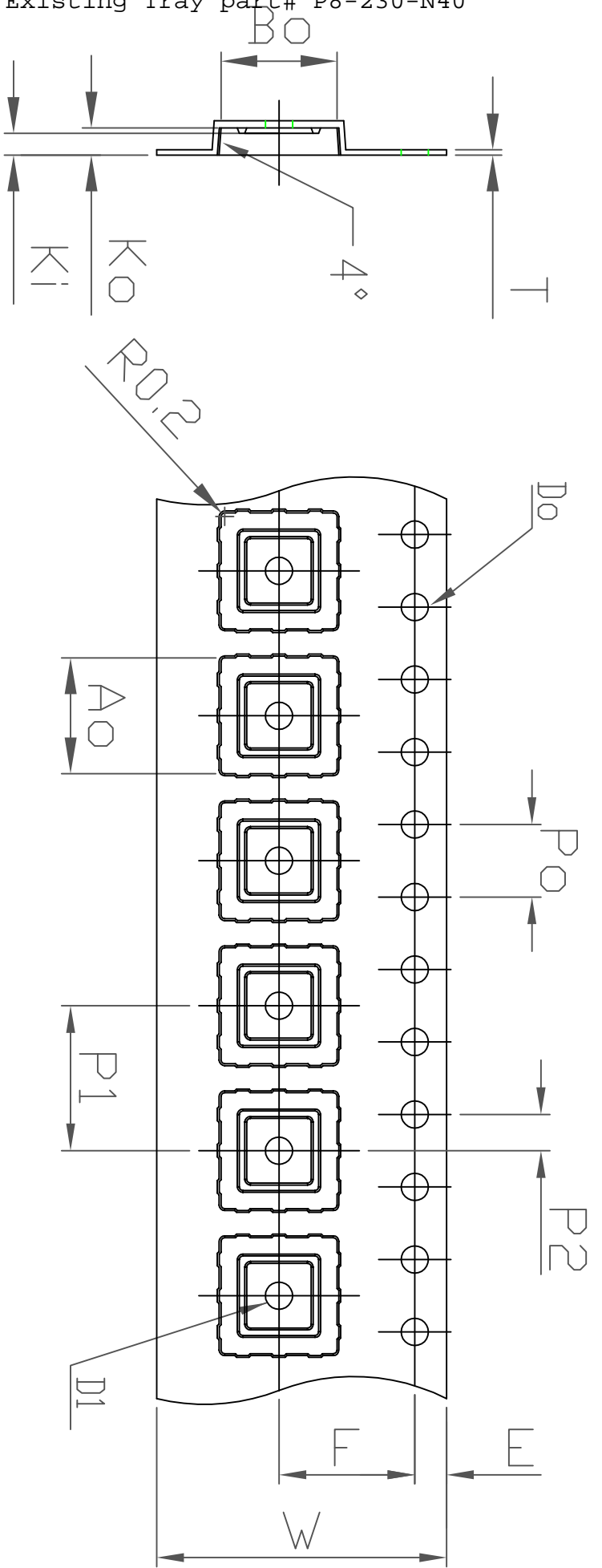
TOLERANCES UNLESS OTHERWISE SPECIFIED
 DECIMAL .25
 .X ± .25
 .XX ± .10
 .XXX ± .13
 ANGLE ±.5°

IDT
 6024 Silver Creek Valley Road
 San Jose, CA 95138
 PHONE: (408) 294-8200
 FAX: (408) 294-3572

WWW.IDT.COM

APPROVALS	DATE	TITLE:	SCALE
DRAWN		ND/NDG 48, NL/NLG 40 & TA/TAG 68 CARRIER TAPE (PCT)	N/A
		STOCK NO. P8-364-N40	REV 04
		DRAWING NO. MSC-5902	SIZE
		DO NOT SCALE DRAWING	SHEET 1 OF 2

Attachment III - Existing Tray part# P8-230-N40




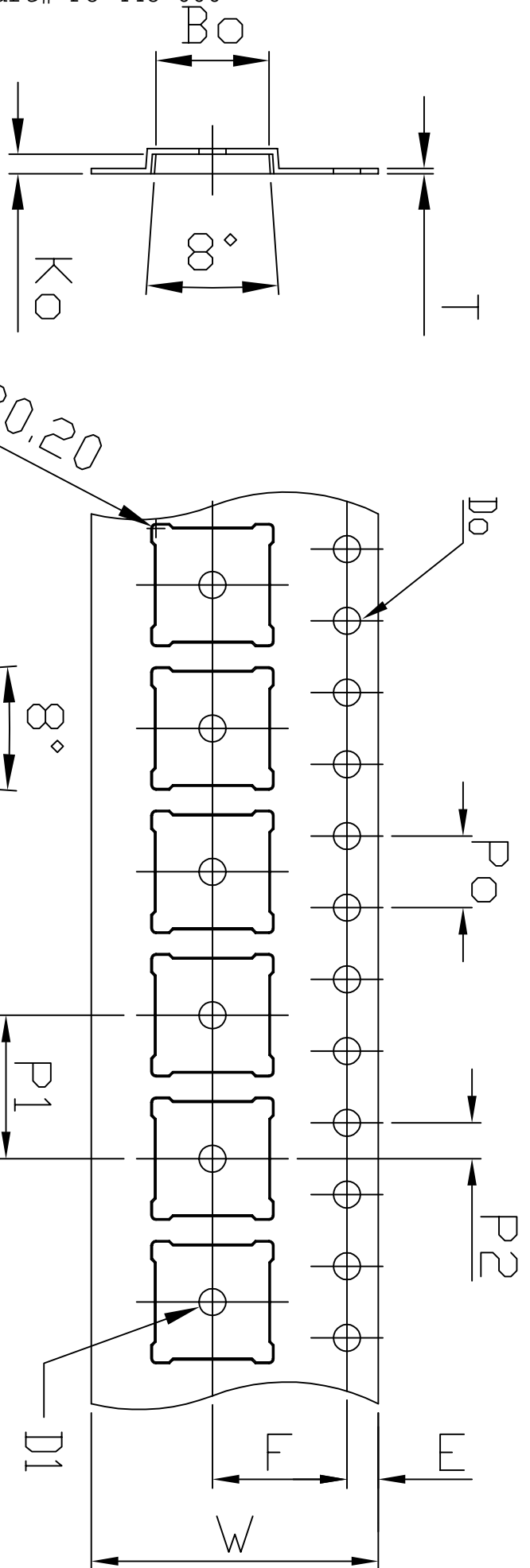
A0 ±0.1	B0 ±0.1	K0 ±0.1	Ki ±0.1	E ±0.1	F ±0.1	P0 ±0.1	P1 ±0.1	P2 ±0.1	D0 +0.1	D1 +0.1	T ±0.05	W ±0.3
6.4	6.4	1.5	1.2	1.75	7.5	4.0	8.0	2.0	Ø1.5	Ø1.5	0.30	16.0

NOTES : (UNLESS OTHERWISE SPECIFIED)

1. SUPPLIER : PCT
2. SUPPLIER PART NUMBER : NL40GP-2283-360C-SD
3. 10 SPROCKET HOLE PITCHES CUMULATIVE TOLERANCE ±0.2mm
4. REFER TO MSA-3018 FOR THE ALLOWABLE CAMBER REQUIREMENT.
5. MATERIAL : BLACK CONDUCTIVE POLYSTYRENE.
6. A0 AND B0 MEASURED ON A PLANE 0.3 MM ABOVE THE BOTTOM OF THE POCKET.
7. K0 MEASURED FROM A PLANE ON THE INSIDE BOTTOM OF THE POCKET TO THE TOP SURFACE OF THE CARRIER.
8. POCKET POSITION RELATIVE TO SPROCKET HOLE CENTER MUST BE SAME POSITION, NOT POCKET HOLE.
9. POCKET CENTER AND POCKET HOLE CENTER MUST BE SAME POSITION.
10. REFER TO MAA-3092 & MSA-3018 FOR THE IDT STANDARD REQUIREMENT FOR CARRIER TAPE.
11. ALL THE DIMENSIONS ARE IN MILLIMETERS (MM).
12. LENGTH PER ROLL = 128 METERS.
13. APPLICABLE TO :

- i) NB/NBG 36 PACKAGE.
- ii) ICS MARKET SEGMENT'S ND/NDG 48 9UMS9633B PRODUCTS ONLY.
- iii) IDT MARKET SEGMENT'S ND/NDG 48 PRODUCTS.
- iv) NL/NLG 28 PACKAGE.
- v) ICS MARKET SEGMENT'S NL/NLG 40 9SV2F857A, 95V857A, 95VLP857A, 97U877A, 98ULP877A PRODUCTS.
- vi) IDT MARKET SEGMENT'S NL/NLG 40
- vii) NI/NTG 48 PACKAGE.

TOLERANCES UNLESS OTHERWISE SPECIFIED DECIMAL .XX ± .25 .XXX ± .13 .XXX ± .13		ANGLE ±.5°	
APPROVALS DRAWN _____ DATE _____		TITLE: NB/NBG 36, ND/NDG 48 & NL/NLG 28/40 & NI/NTG 48 CARRIER TAPE (PCT) STOCK NO. P8-230-N40 DRAWING NO. MSC-3454 DO NOT SCALE DRAWING SHEET 1 OF 2	
 WWW.IDT.COM		6024 Silver Creek Valley Road San Jose, CA 95138 PHONE: (408) 284-8200 FAX: (408) 284-5572	
SCALE N/A SIZE		REV 06	



Ao ±0.1	Bo ±0.1	Ko ±0.1	E ±0.1	F ±0.1	P0 ±0.1	P1 ±0.1	P2 ±0.1	D0 +0.1	D1 +0.1	T ±0.05	W ±0.3
6.3	6.3	1.1	1.75	7.5	4.0	8.0	2.0	ø1.5	ø1.5	0.30	16.0

NOTES : (UNLESS OTHERWISE SPECIFIED)

1. SUPPLIER : PCT
2. SUPPLIER PART NUMBER : QFN64689GP-20B3-360C-SD
3. 10 SPROCKET HOLE PITCHES CUMULATIVE TOLERANCE ±0.2mm
4. REFER TO MSA-3018 FOR THE ALLOWABLE CAMBER REQUIREMENT.
5. MATERIAL : BLACK CONDUCTIVE POLYSTYRENE.
6. Ao AND Bo MEASURED ON A PLANE 0.3 MM ABOVE THE BOTTOM OF THE POCKET.
7. Ko MEASURED FROM A PLANE ON THE INSIDE BOTTOM OF THE POCKET TO THE TOP SURFACE OF THE CARRIER.
8. POCKET POSITION RELATIVE TO SPROCKET HOLE CENTER MUST BE TRUE POSITION, NOT POCKET HOLE.
9. POCKET CENTER AND POCKET HOLE CENTER MUST BE SAME POSITION.
10. REFER TO MAA-3092 & MSA-3018 FOR THE IDT STANDARD REQUIREMENT FOR CARRIER TAPE.
11. ALL THE DIMENSIONS ARE IN MILLIMETERS (MM).
12. LENGTH PER ROLL = 360 METERS.
13. APPLICABLE TO :
- i) NL/NLG 28 PACKAGE.
- ii) IDT MARKET SEGMENT'S NL/NLG 40.
- iii) ICS MARKET SEGMENT'S NL/NLG 40 95V2F857A, 95V857A, 95VLP857A, 97U877A, 98ULP877A PRODUCTS.

TOLERANCES UNLESS OTHERWISE SPECIFIED		DECIMAL		ANGLE	
.XX ± .25		.XXX ± .13		±.5°	
APPROVALS		DATE		SCALE	
DRAWN				N/A	
TITLE:		WWW.IDT.COM		SIZE	
NL/NLG 28/40 CARRIER TAPE (PCT)		6024 Silver Creek Valley Road San Jose, CA 95138 PHONE: (408) 284-8200 FAX: (408) 284-5972		REV	
STOCK NO.		DRAWING NO.		00	
P8-448-000		MSC-7371		00	
DO NOT SCALE DRAWING		SHEET 1 OF 2			