



Integrated Device Technology, Inc.
6024 Silver Creek Valley Road, San Jose, CA - 95138

PRODUCT/PROCESS CHANGE NOTICE (PCN)

ATTACHMENT 1 - PCN # : TB1601-01

PCN Type: Manufacturing Site - Alternate Test & Backend Location

Data Sheet Change: None

Detail Of Change:

This notification is to advise our customers that IDT is adding Sigurd, Taiwan as an alternate facility for Test process for the selective products that are presently tested at IDT Penang, Malaysia facility. Products tested in Sigurd will also complete the Backend process in this same facility.

This change will allow IDT the flexibility to ship from either facility and will provide the increased capacity, flexibility and shorter lead time to meet market demand.

There is no change in the Test processing flows. Tester configuration used at IDT Penang is the same as Sigurd. IDT has completed the electrical test correlation and based on the test results we do not anticipate any impact on device performance. The testing is fully compatible and transferrable between the test facilities with no change to the test coverage. The Backend process is standardized between the two sites. The carrier tape and plastic reel used in Sigurd are with the same dimensions as used in IDT Penang. There is no change to form, fit and functions. Refer to Table 1 and Table 2 for the comparisons.

There is no change in the moisture sensitivity level (MSL).

If you require samples to conduct evaluations, please contact your local sales representative to acknowledge this PCN and request samples.



Integrated Device Technology, Inc.
6024 Silver Creek Valley Road, San Jose, CA - 95138

PRODUCT/PROCESS CHANGE NOTICE (PCN)

ATTACHMENT 1 - PCN # : TB1601-01

Qualification Information and Qualification Data:

Electrical Test Correlation Results

Vehicle: P9145

Sample size: 200 electrically good units and 30 reject units

Description	Existing Test (IDT, Penang)	Alternate Test (Sigurd, Taiwan)
Tester Platform	Teradyne Flex	Teradyne Flex
Loadboard	IDT board	IDT board
Test Program	FRP9145_XX_SeikoEpsonNS 5000.txt	FRP9145_XX_SeikoEpsonNS5000.txt
Test Site	2	2
Test Temperature	25°C	25°C
Test Correlation Results	100%	100%
Number of Good Units Correlated @ ambient	200 pcs	200 pcs
200 units Bin 1 handler run (good units)	200 good units pass electrical test	200 good units pass electrical test
Number of Reject Units Correlated @ ambient	30 pcs	30 pcs
30 units rejects handler run	30 rejects fail electrical test	30 rejects fail electrical test
200 units Bin 1 datalog correlation (good units)	Passed	Passed
30 units rejects datalog correlation	Passed	Passed



PRODUCT/PROCESS CHANGE NOTICE (PCN)

ATTACHMENT 1 - PCN # : TB1601-01

Carrier Tape and Plastic Reel comparisons:

Table 1: Carrier Tape Comparisons




Item	Vendor	Carrier Dimensions		Cavity Dimensions (mm) ±0.1 or Specific				Top View	Drawing
		W (mm.) ±0.3	P1 (mm.) ±0.1	A0	B0	K0	K1		
IDT	PCT QFN9x9GP-20B3-360C-SD	16	12	9.3	9.3	1.05	NA		Refer Attachment 3
Sigurd	ADVANTEK ML0909-D	16	12	9.3	9.3	1.05	NA		Refer Attachment 4

Table 2: Plastic Reel Comparisons

Item	Vendor	(A) Reel Dia. (inch)	(N) Hub Dia. (inch)	Color	Snapshot	Drawing
IDT	TAIPEX 3.3C161307(BLK)	13"	7"	Black		Refer Attachment 5
Sigurd	TAIPEX 3.3C161307(BLK)	13"	7"	Black		



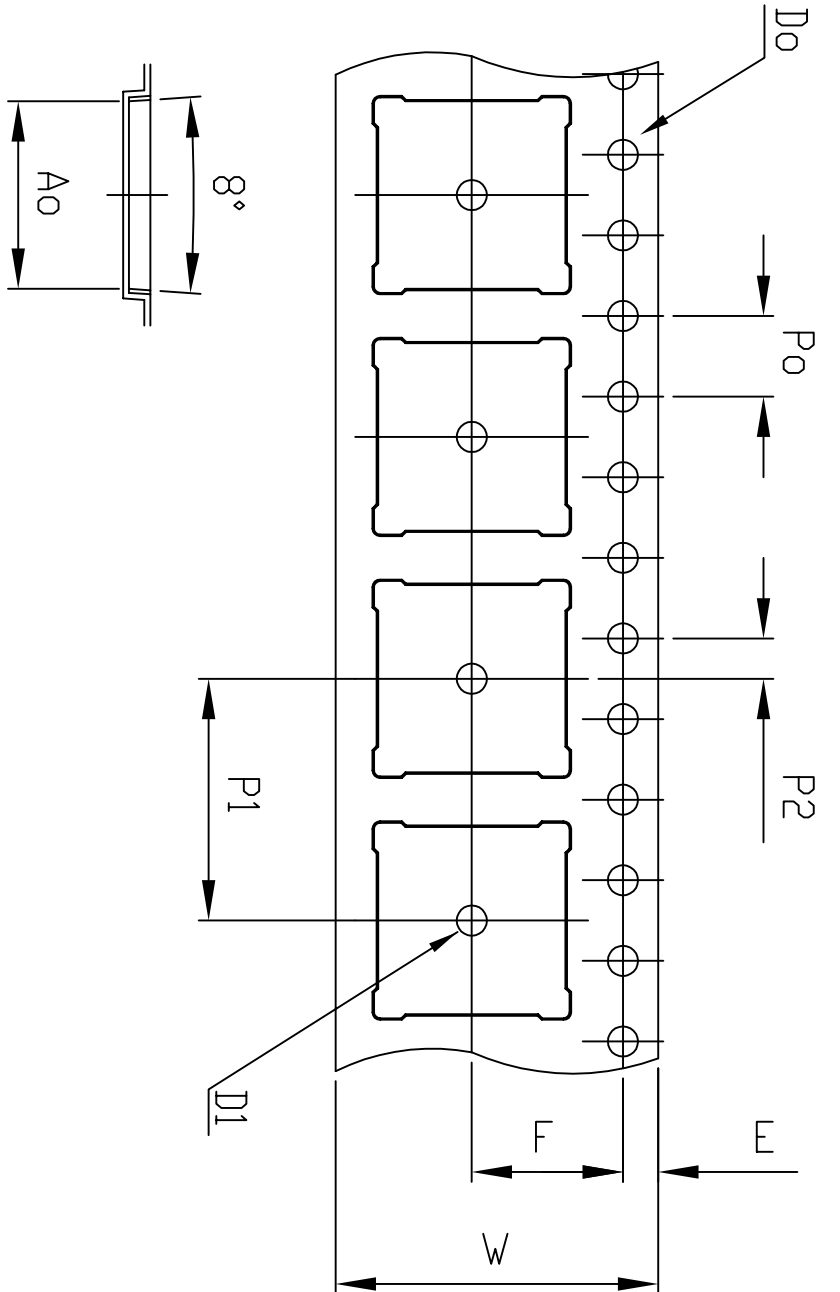
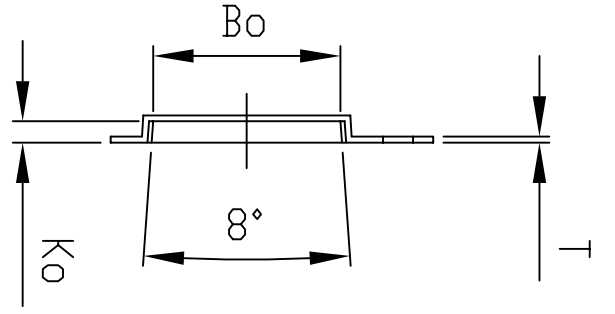
Integrated Device Technology, Inc.
6024 Silver Creek Valley Road, San Jose, CA - 95138

PRODUCT/PROCESS CHANGE NOTICE (PCN)

ATTACHMENT 2 - PCN # : TB1601-01

Affected Part Numbers

Part Number	Part Number	Part Number	Part Number
P9145-00NAGI	P9145-A2NAGI8	P9145-N1NAGI	P9145-T1NAGI8
P9145-00NAGI8	P9145-H1NAGI	P9145-N1NAGI8	P9145-T2NAGI
P9145-00NHGI	P9145-H1NAGI8	P9145NAGI	P9145-T2NAGI8
P9145-00NHGI8	P9145-I0NAGI	P9145NAGI8	P9145-X0NAGI
P9145-A0NAGI	P9145-I0NAGI8	P9145NHGI	P9145-X0NAGI8
P9145-A0NAGI8	P9145-K0NAGI	P9145NHGI8	P9145-X1NAGI
P9145-A1NAGI	P9145-K0NAGI8	P9145-T0NAGI	P9145-X1NAGI8
P9145-A1NAGI8	P9145-N0NAGI	P9145-T0NAGI8	
P9145-A2NAGI	P9145-N0NAGI8	P9145-T1NAGI	



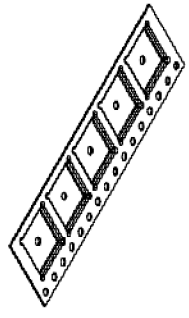
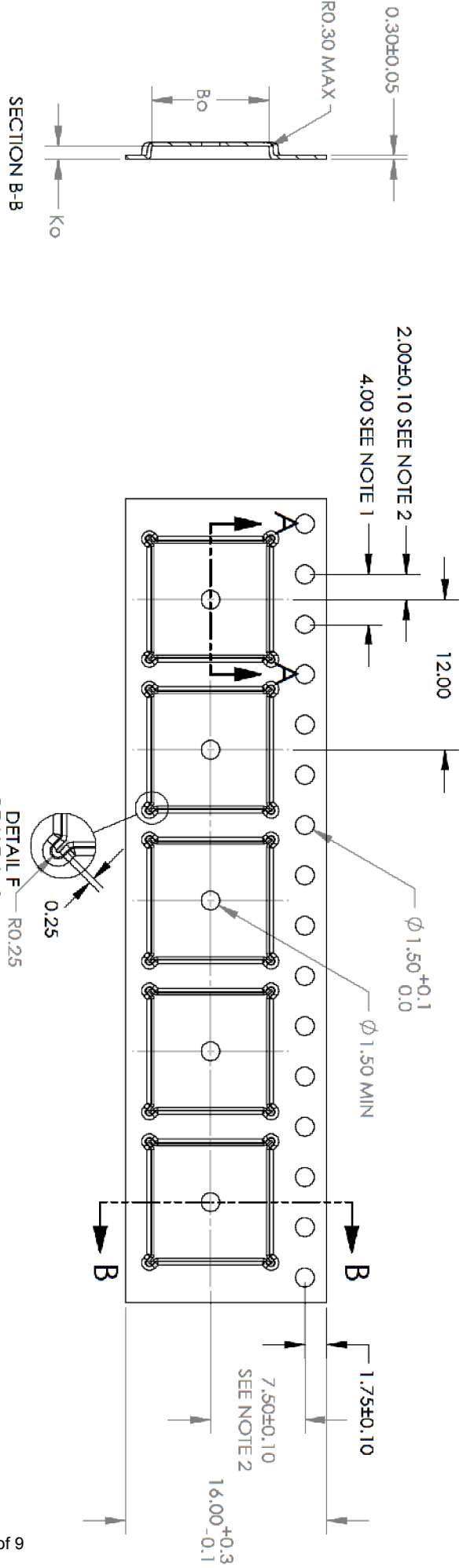
$A_0 \pm 0.1$	$B_0 \pm 0.1$	$K_0 \pm 0.1$	$K_1 \pm 0.1$	$E \pm 0.1$	$F \pm 0.1$	$P_0 \pm 0.1$	$P_1 \pm 0.1$	$P_2 \pm 0.1$	$D_0 \pm 0.1$	$D_1 \pm 0.1$	$T \pm 0.05$	$W \pm 0.3$
9.3	9.3	1.05	NA	1.75	7.5	4.0	12.0	2.0	$\phi 1.5$	$\phi 1.5$	0.30	16.0

NOTES : (UNLESS OTHERWISE SPECIFIED)

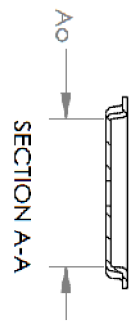
- SUPPLIER : PCT
- SUPPLIER PART NUMBER : QFN9x9GP-20B3-360C-SD
- 10 SPROCKET HOLE PITCHES CUMULATIVE TOLERANCE $\pm 0.2\text{mm}$
- REFER TO MSA-3018 FOR THE ALLOWABLE CAMBER REQUIREMENT.
- MATERIAL : BLACK CONDUCTIVE POLYSTYRENE.
- A_0 AND B_0 MEASURED ON A PLANE 0.3 MM ABOVE THE BOTTOM OF THE POCKET.
- K_0 MEASURED FROM A PLANE ON THE INSIDE BOTTOM OF THE POCKET TO THE TOP SURFACE OF THE CARRIER.
- POCKET POSITION RELATIVE TO SPROCKET HOLE MEASURED AS TRUE POSITION OF POCKET, NOT POCKET HOLE.
- POCKET CENTER AND POCKET HOLE CENTER MUST BE SAME POSITION.
- REFER TO MAA-3092 & MSA-3018 FOR THE IDT STANDARD REQUIREMENT FOR CARRIER TAPE.
- ALL THE DIMENSIONS ARE IN MILLIMETERS (MM).
- LENGTH PER ROLL = 360 METERS.

TOLERANCES UNLESS OTHERWISE SPECIFIED		DRAWN		DATE			6024 Silver Creek Valley Road, San Jose, CA 95138 PHONE: (408) 284-8200 FAX: (408) 284-5072
DECIMAL		.XX ± .13		.XXX ± .13			
ANGLE		X ± .25		± .5°		TITLE:	SCALE
APPROVALS		NA/NAG 100 & NH/NHG 100		CARRIER TAPE (PCT)		STOCK NO.	REV
DATE		P8-452-000		MSC-7378		DO NOT SCALE DRAWING	SIZE
DATE		SHEET 1 OF 1					

Attachment 4 - Carrier Tape used by Sigurd



SCALE 1:1



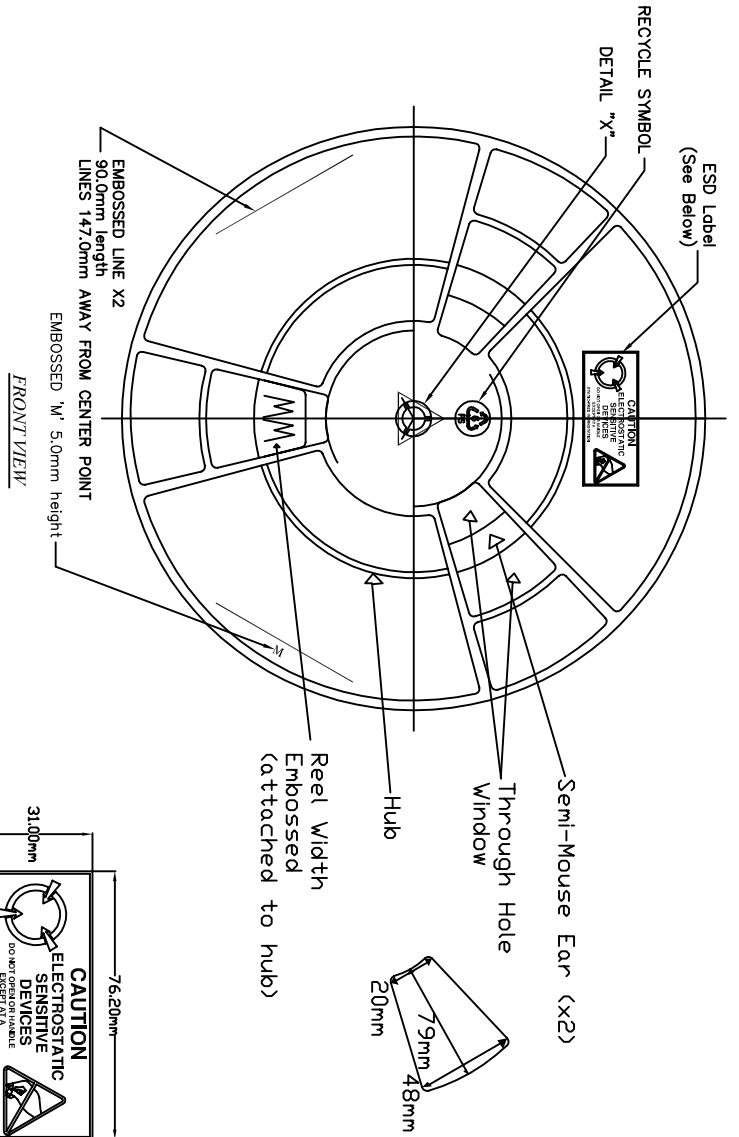
SECTION B-B

DIM	±
Ao	9.30 0.10
Bo	9.30 0.10
Ko	1.05 0.10

- NOTES : (UNLESS OTHERWISE SPECIFIED)
1. 10 SPROCKET HOLE PITCHES CUMULATIVE TOLERANCE ±0.2mm
 2. REFER TO MSA-3018 FOR THE ALLOWABLE CAMBER REQUIREMENT.
 3. MATERIAL : BLACK CONDUCTIVE POLYSTYRENE.
 4. Ao AND Bo MEASURED ON A PLANE 0.3 MM ABOVE THE BOTTOM OF THE POCKET.
 5. Ko MEASURED FROM A PLANE ON THE INSIDE BOTTOM OF THE POCKET TO THE TOP SURFACE OF THE CARRIER.
 6. POCKET POSITION RELATIVE TO SPROCKET HOLE MEASURED AS TRUE POSITION OF POCKET, NOT POCKET HOLE.
 7. POCKET CENTER AND POCKET HOLE CENTER MUST BE SAME POSITION.
 8. REFER TO MAA-3092 & MSA-3018 FOR THE IDT STANDARD REQUIREMENT FOR CARRIER TAPE.
 9. ALL THE DIMENSIONS ARE IN MILLIMETERS (MM).
 10. APPLICABLE TO NA/MAG 100 & NH/NHG 100 TAPED BY SIGURD, TAIWAN.

TOLERANCES UNLESS OTHERWISE SPECIFIED		DECIMAL		ANGLE	
.XX ± .13		.XXX ± .13		±.5°	
APPROVALS		DATE		SCALE	
DRAWN		DATE		N/A	
STOCK NO.		DRAWING NO.		REV	
P8-452-000		MSC-7723		00	
DO NOT SCALE DRAWING		SHEET 1 OF 1		SIZE	
TITLE:		WWW.IDT.COM		SCALE	
NA/MAG 100 & NH/NHG		6024 Silver Creek Valley Road		N/A	
100 CARRIER TAPE		San Jose, CA 95138		SIZE	
		PHONE: (408) 284-8200			
		FAX: (408) 284-5972			

Attachment 5 - Plastic Reel



PLASTIC REEL INFORMATION

IDT PART NUMBER	P9-061-000	P9-062-000	P9-063-000	P9-064-000	P9-110-000	P9-061-BLUE	P9-062-BLUE	P9-063-BLUE	P9-064-BLUE	P9-110-BLUE
TAPE WIDTH	12 MM	16 MM	24 MM	32 MM	44 MM	12 MM	16 MM	24 MM	32 MM	44 MM
A	328 - 332	328 - 332	328 - 332	328 - 332	328 - 332	328 - 332	328 - 332	328 - 332	328 - 332	328 - 332
N	176 - 180	176 - 180	176 - 180	176 - 180	176 - 180	176 - 180	176 - 180	176 - 180	176 - 180	176 - 180
D	207 - 21.3	207 - 21.3	207 - 21.3	207 - 21.3	207 - 21.3	207 - 21.3	207 - 21.3	207 - 21.3	207 - 21.3	207 - 21.3
C	12.8 - 13.5	12.8 - 13.5	12.8 - 13.5	12.8 - 13.5	12.8 - 13.5	12.8 - 13.5	12.8 - 13.5	12.8 - 13.5	12.8 - 13.5	12.8 - 13.5
B	1.5 - 2.5	1.5 - 2.5	1.5 - 2.5	1.5 - 2.5	1.5 - 2.5	1.5 - 2.5	1.5 - 2.5	1.5 - 2.5	1.5 - 2.5	1.5 - 2.5
V1	12.4 - 14.4	16.4 - 18.4	24.4 - 26.4	32.4 - 34.4	44.4 - 46.4	12.4 - 14.4	16.4 - 18.4	24.4 - 26.4	32.4 - 34.4	44.4 - 46.4
V2	18.4 MAX	22.4 MAX	30.4 MAX	38.4 MAX	50.4 MAX	18.4 MAX	22.4 MAX	30.4 MAX	38.4 MAX	50.4 MAX
SUPPLIER PART NUMBER	33C321307(BLK)	33C321307(BLK)	33C321307(BLK)	33C321307(BLK)	33C441307(BLK)	33C321307(BLU)	33C321307(BLU)	33C321307(BLU)	33C321307(BLU)	33C441307(BLU)
COLOR	BLACK	BLACK	BLACK	BLACK	BLACK	BLUE	BLUE	BLUE	BLUE	BLUE

- NOTES : (UNLESS OTHERWISE SPECIFIED)
1. MATERIAL : HIPS (ANTISTATIC POLYSTYRENE)
 2. ALL DIMENSIONS ARE IN mm.
 3. REEL & ESD SURFACE RESISTIVITY SHALL CONFORM TO IDT SPEC MSA-3018.
 4. ESD LOGO MUST BE DIRECTLY OPPOSITE EACH OTHER.
 5. SUPPLIER : TAPEX
 6. FLANGE AND HUB WELDED TOGETHER.
 7. * MEASURED AT HUB AREA.
 8. ** MEASURED AT OUTER EDGE.

TOLERANCES UNLESS OTHERWISE SPECIFIED

DECIMAL	± .25
XX	± .13
XXX	± .13

ANGLE ± .5°

APPROVALS

DATE

DRAWN

DATE

WWW.IDT.COM

6024 Silver Creek Valley Road,
San Jose, CA 95138
PHONE: (408) 284-8200
FAX: (408) 284-3572

ITD

PLASTIC REEL (7" HUB)

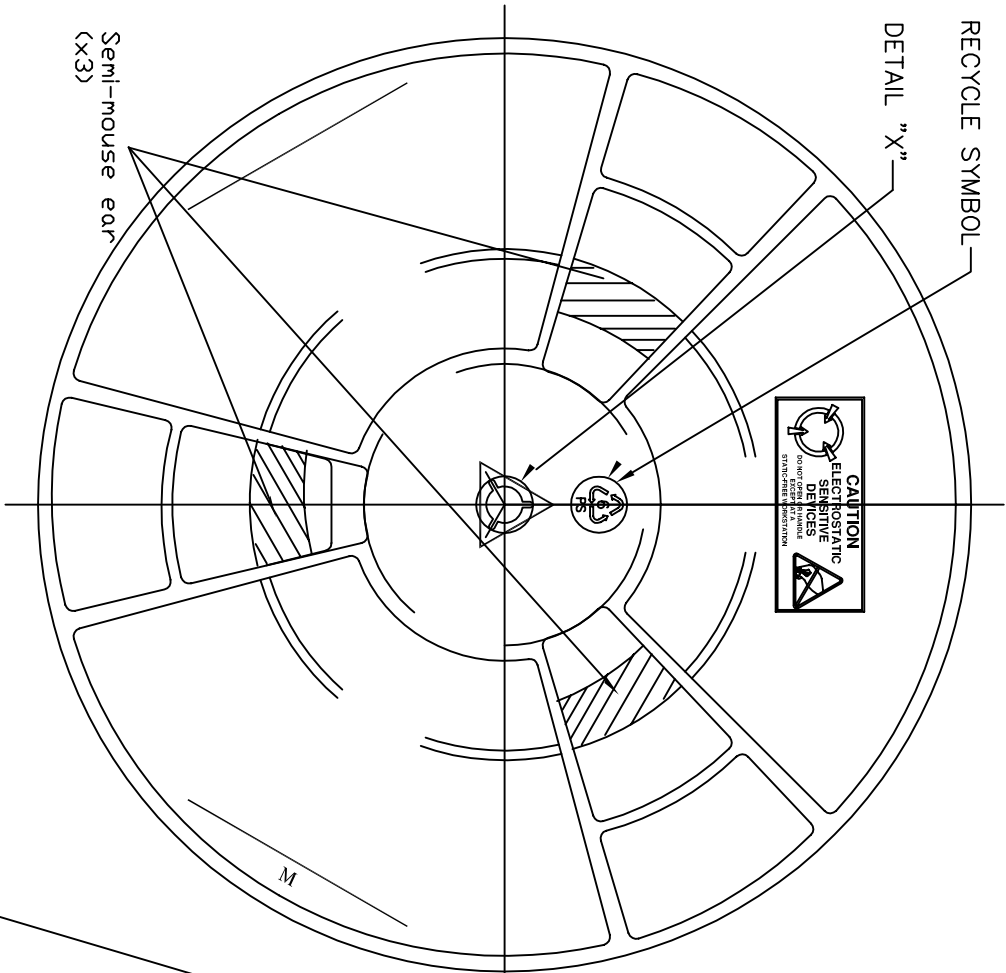
STOCK NO. MSC-4796

DRAWING NO. 03

REV N/A

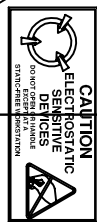
SCALE N/A

DO NOT SCALE DRAWING SHEET 1 OF 3

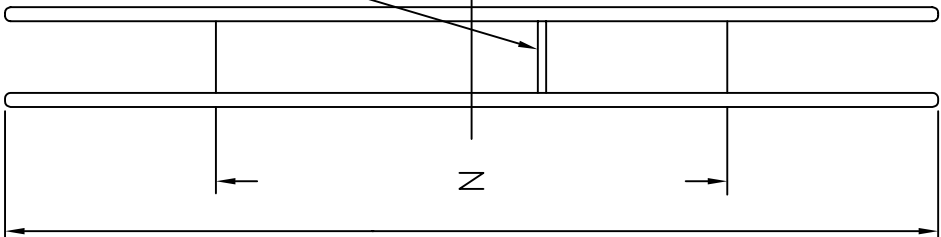


BACK VIEW

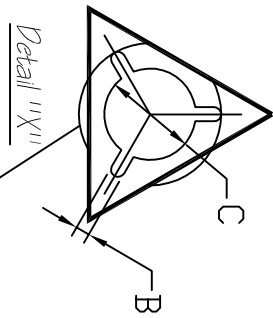
Semi-mouse ear
(x3)



W2**
W1**



Slot x3



D
(dia.)

TOLERANCES UNLESS OTHERWISE SPECIFIED		ANGLE	
DECIMAL 25	X ± .25	±.5°	
XX ± .13			
XXX ± .13			
APPROVALS	DATE		
DRAWN			
TITLE:		SCALE	
PLASTIC REEL (7" HUB)		N/A	
STOCK NO.	DRAWING NO.	SIZE	REV
SEE TABLE	MSC-4796	N/A	03
DO NOT SCALE DRAWING	SHEET 2 OF 3		

IDT
 6024 Silver Creek Valley Road,
 San Jose, CA 95138
 PHONE: (408) 284-8200
 FAX: (408) 284-5572
 WWW.IDT.COM