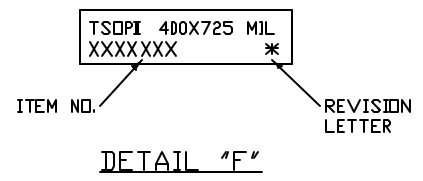
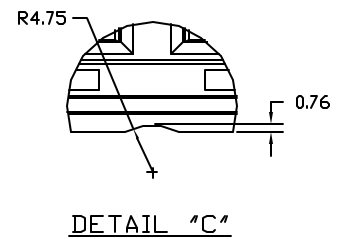
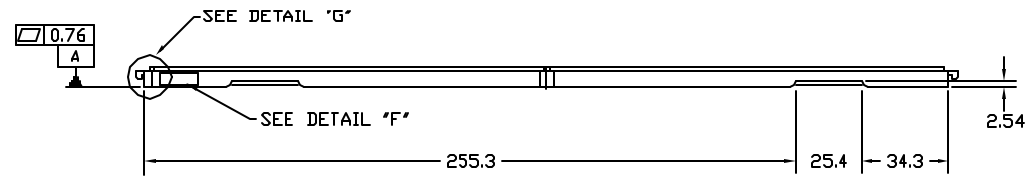
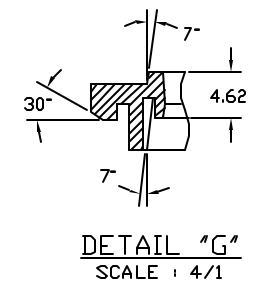
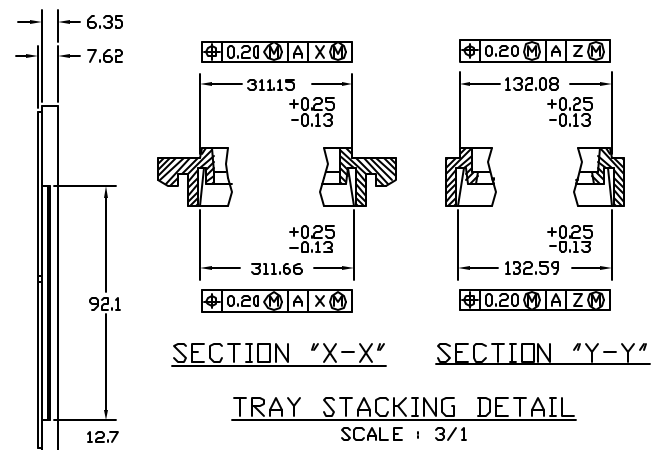
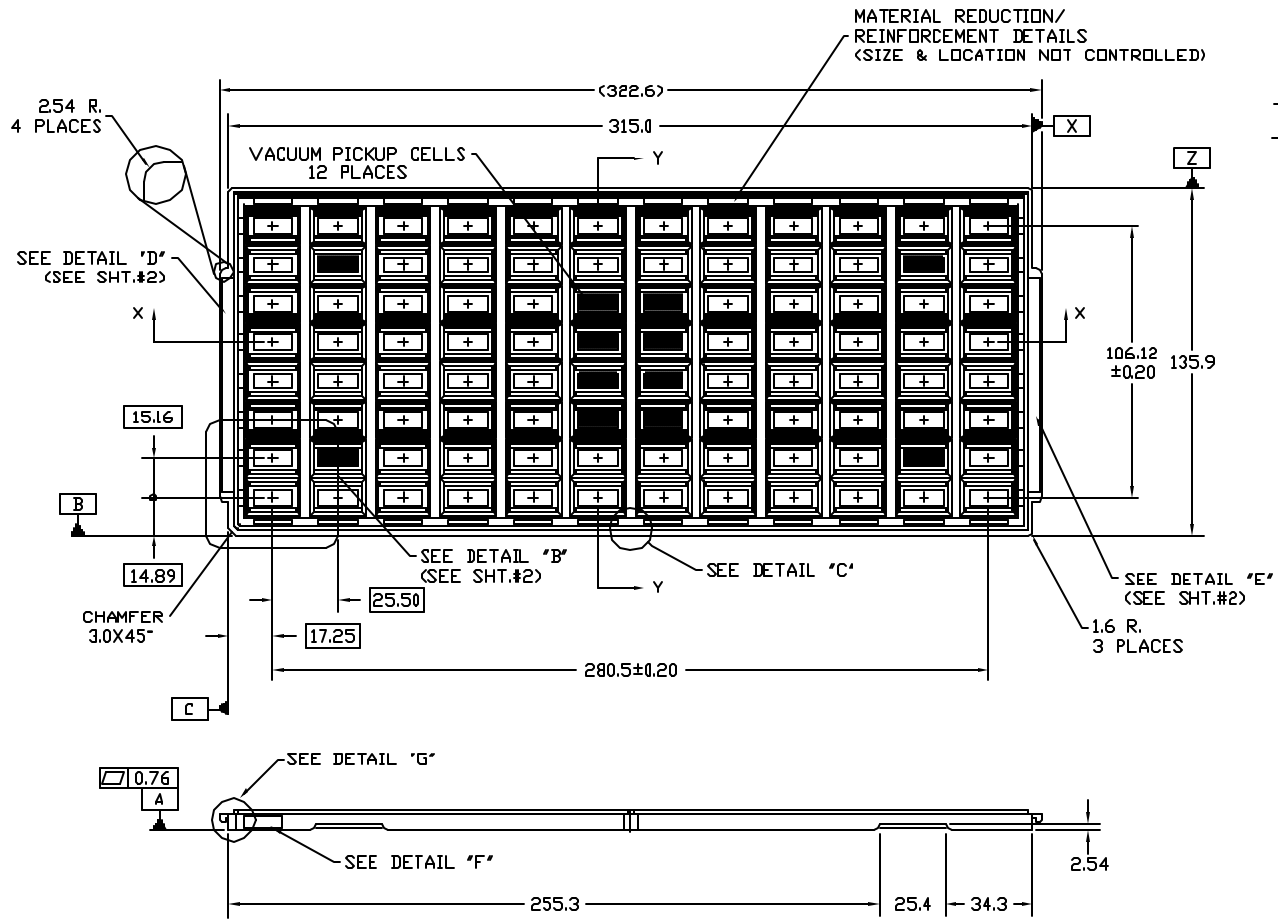





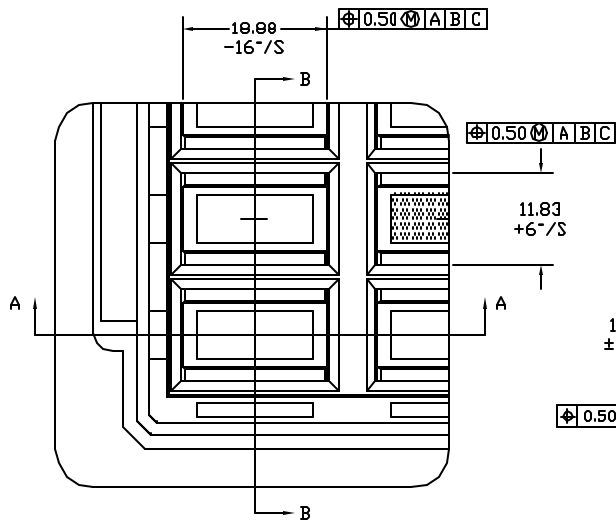
REVISIONS			
REV	DESCRIPTION	DATE	APPROVED
00	INITIAL RELEASE	30/AUG/02	DW/G. LUU



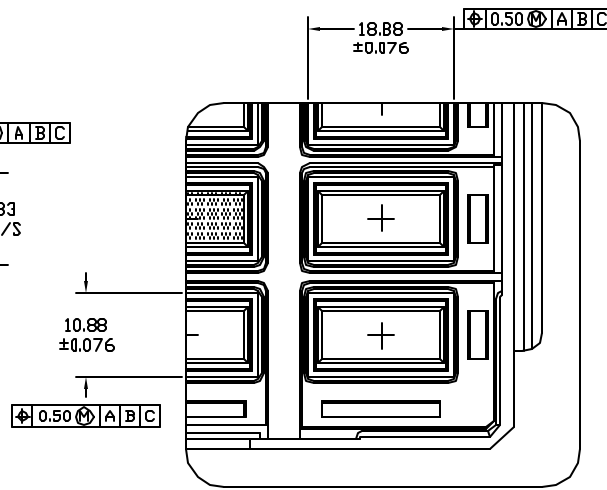
- NOTES: (UNLESS OTHERWISE SPECIFIED)
1. MATERIAL: PES (BLACK).
  2. ALL DIMENSIONS ARE IN mm.
  3. TEMPERATURE: 180°C MAX
  4. ESD SURFACE RESISTIVITY: 10<sup>8</sup> TO 10<sup>10</sup>
  5. DAEWON PART NUMBER: 124-4725-111
  6. DAEWON REVISION: A

TOLERANCES UNLESS OTHERWISE SPECIFIED		 Integrated Device Technology, Inc 2972 Stender Wy, Santa Clara, CA 95054 (408) 727-6116 FAX (408) 492-8512	SCALE
DECIMAL	ANGLE		N/A
.X ±.25	±.5°		
.XX ±.13			SIZE
.XXX ±.13			B
APPROVALS	DATE	<b>PH 44 SHIPPING TRAY</b> <b>(400X725MIL)</b>	REV
DRAWN <i>dl</i>	30/AUG/02		00
CHECKED		STOCK NO.	DRAWING NO.
		P7-159-000	MSC-1738
FILE: NSC17281		DO NOT SCALE DRAWING	SHEET 1 OF 2

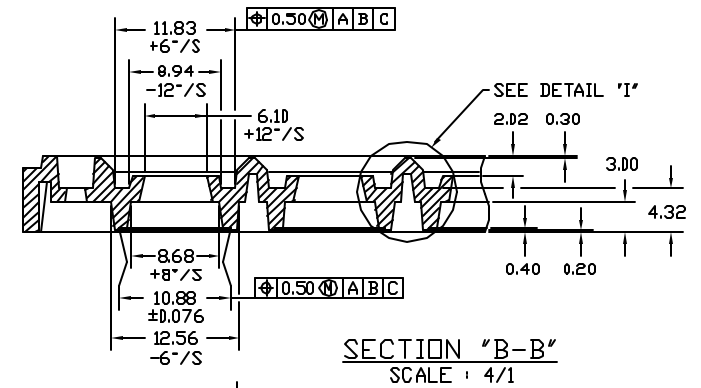
REVISIONS			
REV	DESCRIPTION	DATE	APPROVED
00	INITIAL RELEASE	30/Aug/02	DW/Q. LUU



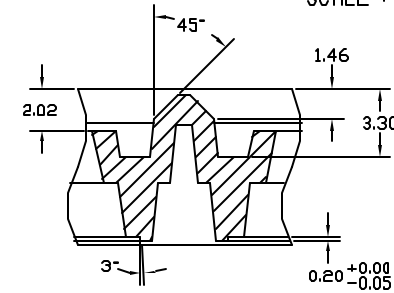
TOP VIEW  
DETAIL "B"  
SCALE : 3/1  
(FROM SHT.#1)



BOTTOM VIEW  
DETAIL "B"  
SCALE : 3/1  
(FROM SHT.#1)



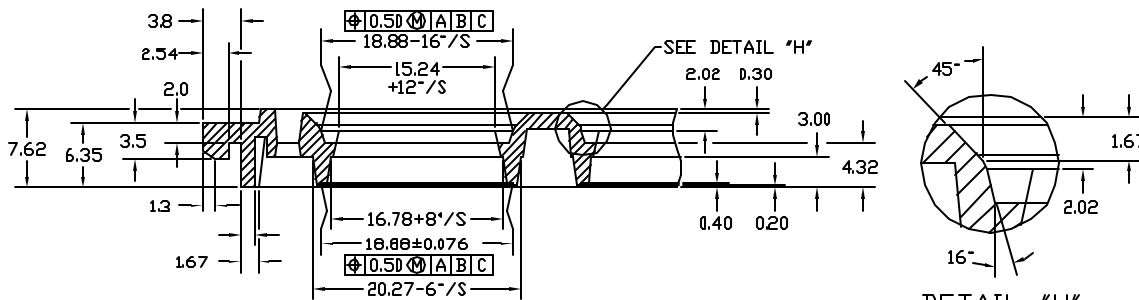
SECTION "B-B"  
SCALE : 4/1



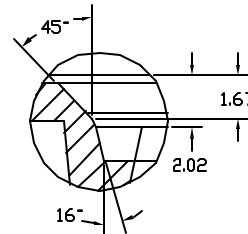
DETAIL "I"  
SCALE : 8/1



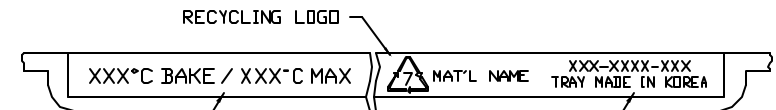
DETAIL "D"  
(FROM SHT.#1)



SECTION "A-A"  
SCALE : 4/1



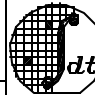
DETAIL "H"  
SCALE : 10/1



TEMPERATURE RATING BLOCK

DAEWON PART NO.

DETAIL "E"  
(FROM SHT.#1)

TOLERANCES UNLESS OTHERWISE SPECIFIED		 Integrated Device Technology, Inc 2972 Stander WY, Santa Clara, CA 95054 (408) 727-6116 FAX (408) 492-8512
DECIMAL	ANGLE	
.X ±.25	±.5°	
.XX ±.13		
.XXX ±.13		
APPROVALS	DATE	
DRAWN <i>dl</i>	30/Aug/02	
CHECKED		PH 44 SHIPPING TRAY (400X725MIL)
		SCALE N/A
		SIZE B
	STOCK NO.	DRAWING NO.
	P7-159-000	MSC-1738
		REV 00
FILE: NSC17382		DO NOT SCALE DRAWING
		SHEET 2 OF 2