

General Description

The HXR32400 Trans-impedance and Limiting Amplifier array for CLR4 parallel optical applications supports data rates up to 28Gbps and optical reach up to 2km. Together with a four-channel photo diode array or discrete detectors, high-capacity, high-availability optical links can be designed for long reach telecom or datacom applications.

The 3.3V SiGe device integrates the Trans-impedance pre-amplifier, the limiting post-amplifier, and a versatile CML output stage for four optical channels. Available in die form.

Applications

- 100GBASE-CLR4 for 2km reach
- PSM4 Ethernet optical modules
- InfiniBand EDR optical modules
- 32G Fibre Channel optical modules
- Proprietary multi-channel optical modules

Features

- 50 μ App receiver sensitivity for 10^{-12} BER at 28Gbps CLR4: 2km reach
- Better than 2.4 mApp overload
- 100mW per channel power consumption if operated with an external CDR
- 150mW per channel: stand-alone operation
- Adjustable output swing size and pre-emphasis in limiting mode
- Adjustable signal detect threshold
- Independent, per channel RSSI
- Optimized for isolated and common cathode photo-detector arrays from multiple vendors
- 750um pitch for high-speed I/O channels
- QSFP MSA compliance

Ordering Information

Part Number	Temp Range	Pin-Package
HXR32400-DNU ¹ HXR32400-TNU ²	-5°C to +95°C	Bare Die: 1.975 x 3.350mm
HXR32400EVB	Room temp	Evaluation Board

Notes:

¹ – Waffle Pack

² – Blue Tape

For price, delivery schedules, and to place orders, please contact IDT: www.IDT.com/go/sales

Block Diagram

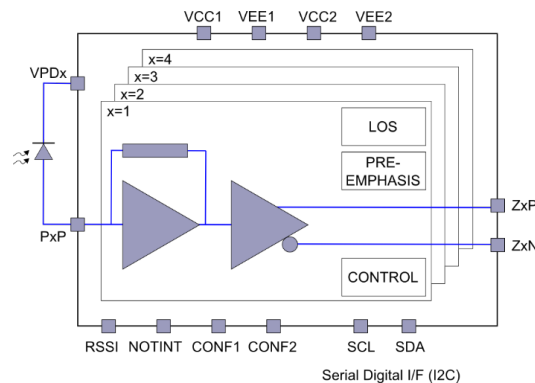


Figure 1: Block diagram

**Corporate Headquarters**

6024 Silver Creek Valley Road
San Jose, CA 95138

www.IDT.com

Sales

1-800-345-7015 or 408-284-8200
Fax: 408-284-2775

www.IDT.com/go/sales

Tech Support

www.IDT.com/go/support

DISCLAIMER Integrated Device Technology, Inc. (IDT) and its affiliated companies (herein referred to as "IDT") reserve the right to modify the products and/or specifications described herein at any time, without notice, at IDT's sole discretion. Performance specifications and operating parameters of the described products are determined in an independent state and are not guaranteed to perform the same way when installed in customer products. The information contained herein is provided without representation or warranty of any kind, whether express or implied, including, but not limited to, the suitability of IDT's products for any particular purpose, an implied warranty of merchantability, or non-infringement of the intellectual property rights of others. This document is presented only as a guide and does not convey any license under intellectual property rights of IDT or any third parties.

IDT's products are not intended for use in applications involving extreme environmental conditions or in life support systems or similar devices where the failure or malfunction of an IDT product can be reasonably expected to significantly affect the health or safety of users. Anyone using an IDT product in such a manner does so at their own risk, absent an express, written agreement by IDT.

Integrated Device Technology, IDT and the IDT logo are trademarks or registered trademarks of IDT and its subsidiaries in the United States and other countries. Other trademarks used herein are the property of IDT or their respective third party owners. For datasheet type definitions and a glossary of common terms, visit www.idt.com/go/glossary. All contents of this document are copyright of Integrated Device Technology, Inc. All rights reserved.