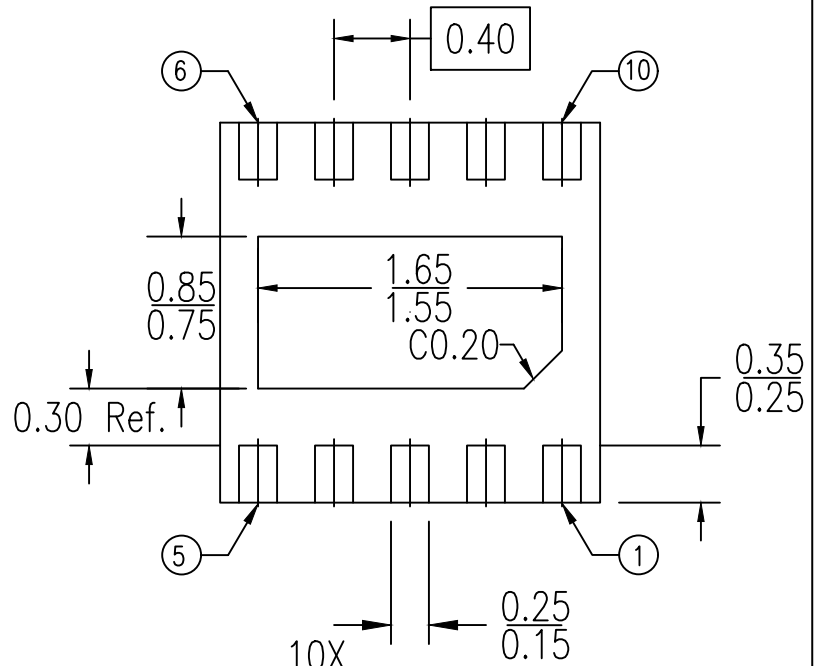


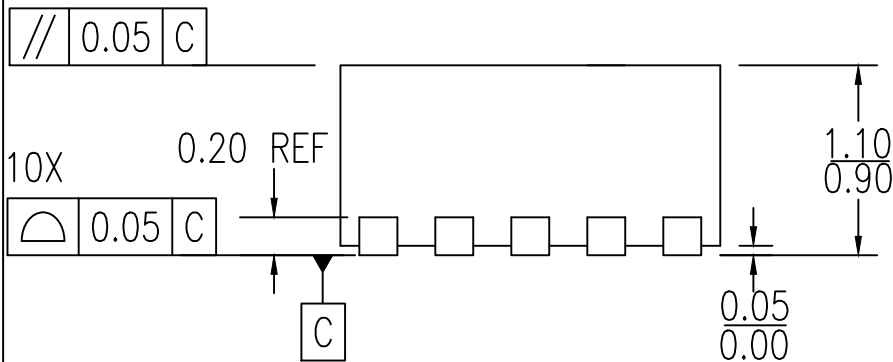
TOP VIEW



10X

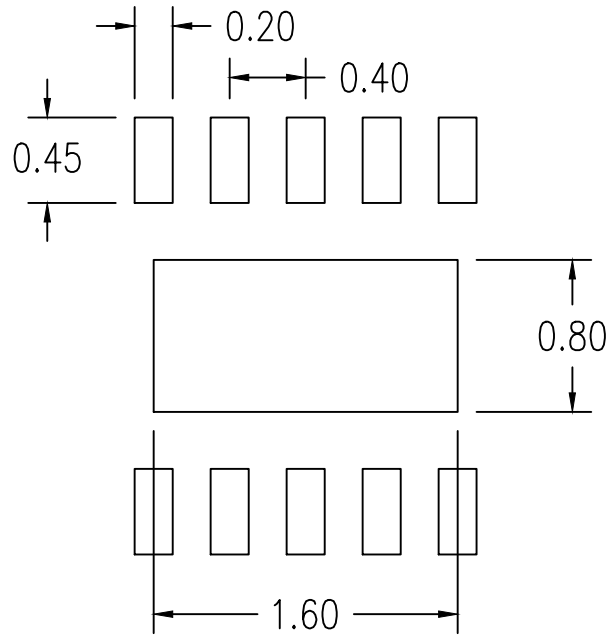
$\phi$	0.07(M)	C	A	B
--------	---------	---	---	---

BOTTOM VIEW



SIDE VIEW

NOTES:  
1. ALL DIMENSIONS IN MM.



RECOMMENDED LAND PATTERN DIMENSION

NOTES:

1. ALL DIMENSIONS ARE IN mm. ANGLES IN DEGREES.
2. LAND PATTERN RECOMMENDATION PER IPC-7351B GENERIC REQUIREMENT FOR SURFACE MOUNT DESIGN AND LAND PATTERN.

Package Revision History		
Date Created	Rev No.	Description
June 14, 2018	Rev 01	Change QFN to VFQFPN
Oct 25, 2017	Rev 00	Initial Release