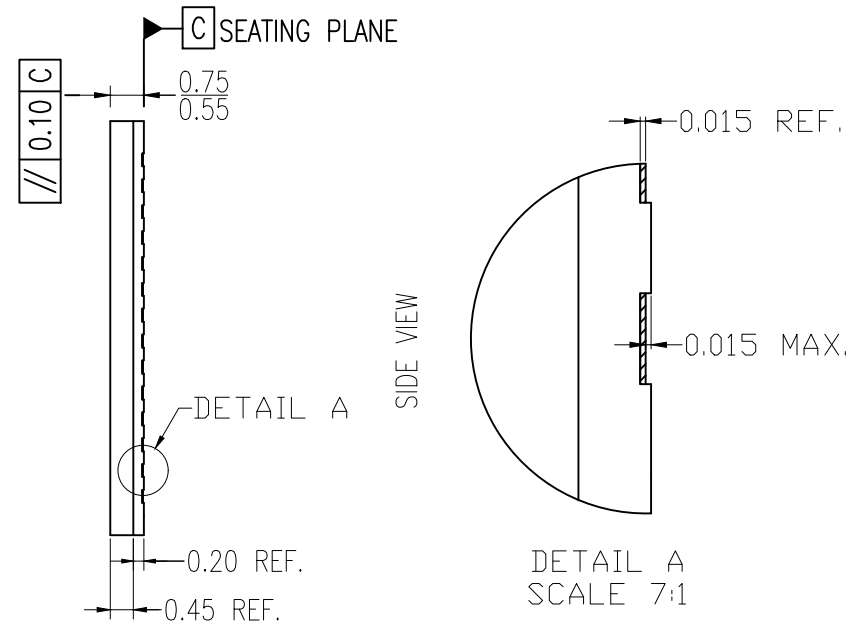
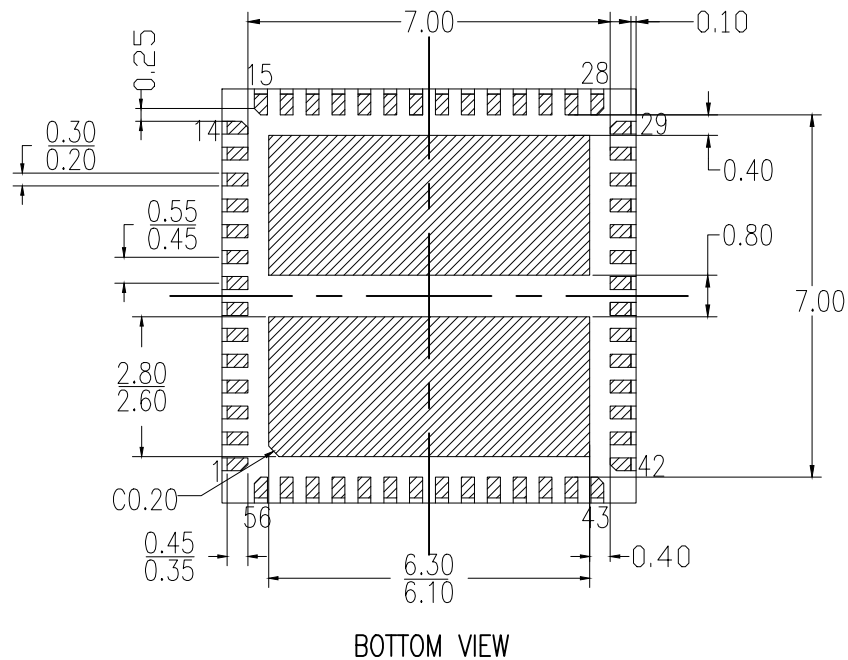
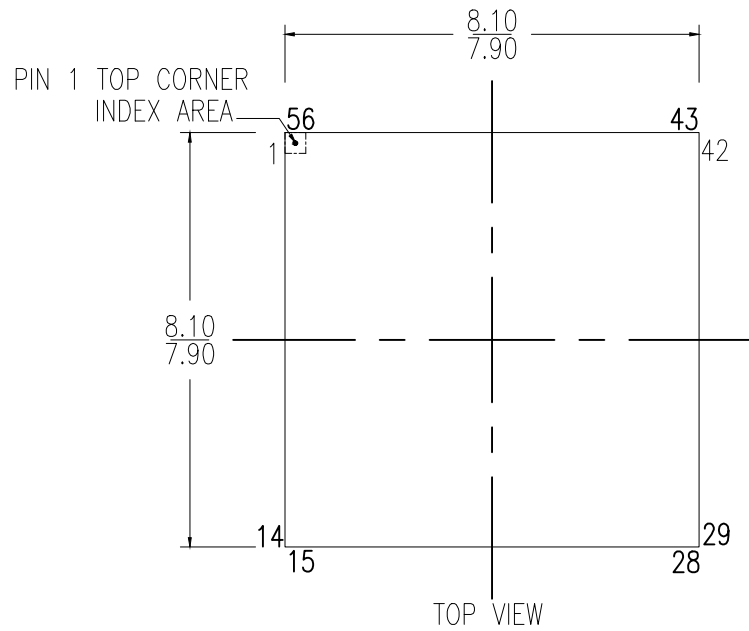
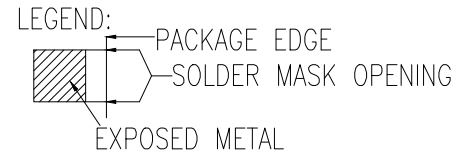


DATE CREATED	REVISIONS		
	REV	DESCRIPTION	AUTHOR
5/1/18	00	INITIAL RELEASE	VS

NOTE: REFER TO DCP FOR OFFICIAL RELEASE DATE



NOTES:  
1. ALL DIMENSIONS ARE IN MM.



TOLERANCES  
UNLESS SPECIFIED

DECIMAL	ANGULAR
XX±	±
XXX±	
XXXX±	

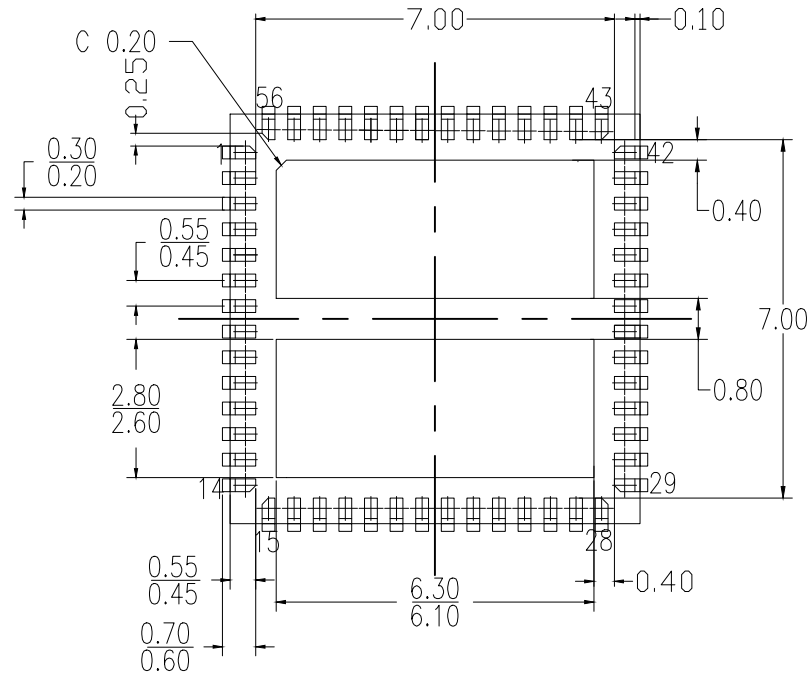
6024 Silver Creek Valley Road  
San Jose, CA 95138  
www.IDT.com  
PHONE: (408) 284-8200  
FAX: (408) 284-8591

TITLE 56-LGA, Package Outline Drawing  
8.0 x 8.0 x 0.65 mm Body  
0.5mm Pitch LKG56

SIZE	DRAWING No.	REV
C	PSC-4755	00

DO NOT SCALE DRAWING SHEET 1 OF 2


DATE CREATED	REVISIONS		
	REV	DESCRIPTION	AUTHOR
5/1/18	00	INITIAL RELEASE	VS
NOTE: REFER TO DCP FOR OFFICIAL RELEASE DATE			



RECOMMENDED LAND PATTERN DIMENSION

NOTES:

1. ALL DIMENSIONS ARE IN MM.
2. TOP DOWN VIEW. AS VIEWED ON PCB.

TOLERANCES UNLESS SPECIFIED DECIMAL    ANGULAR XX±        ± XXX± XXXX±	 6024 Silver Creek Valley Road San Jose, CA 95138 PHONE: (408) 284-8200 FAX: (408) 284-8591		
	TITLE    56-LGA, Package Outline Drawing 8.0 x 8.0 x 0.65 mm Body 0.5mm Pitch LKG56		
	SIZE C	DRAWING No. PSC-4755	REV 00
	DO NOT SCALE DRAWING		SHEET 2 OF 2