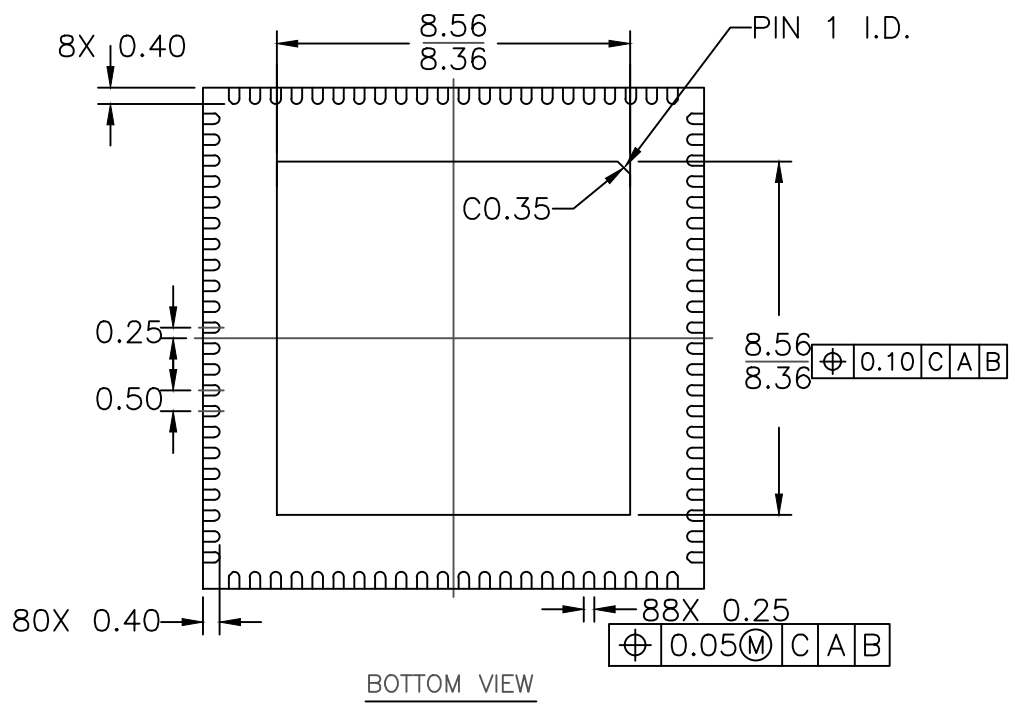
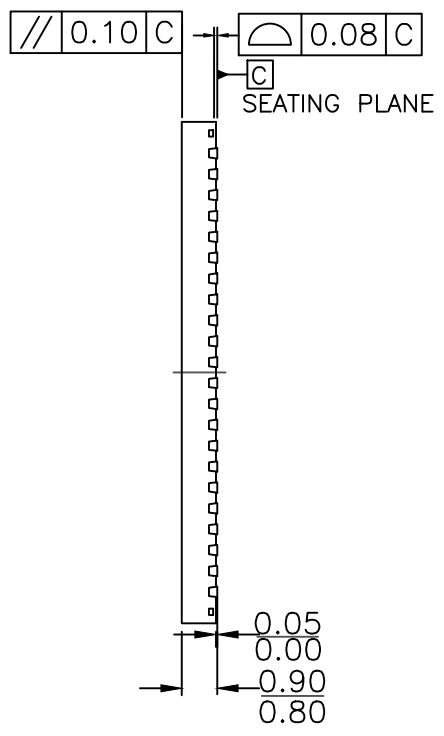
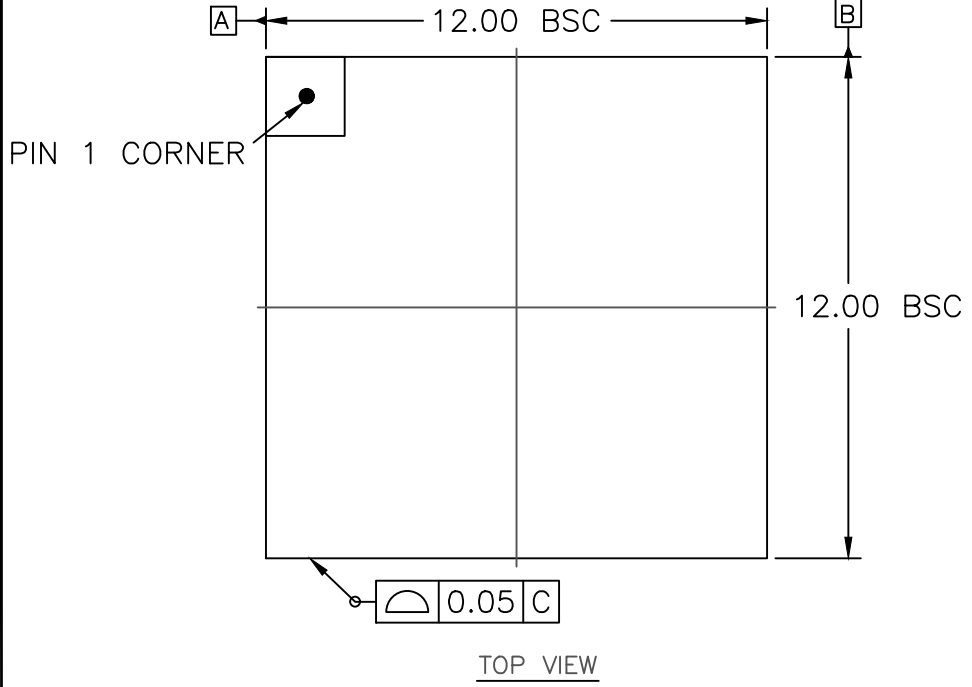



DATE CREATED	REVISIONS		
	REV	DESCRIPTION	AUTHOR
8/7/17	00	INITIAL RELEASE	Srikanth
6/15/18	01	CHANGE QFN TO VFQFPN	R.CURILAN

NOTE: REFER TO DCP FOR OFFICIAL RELEASE DATE

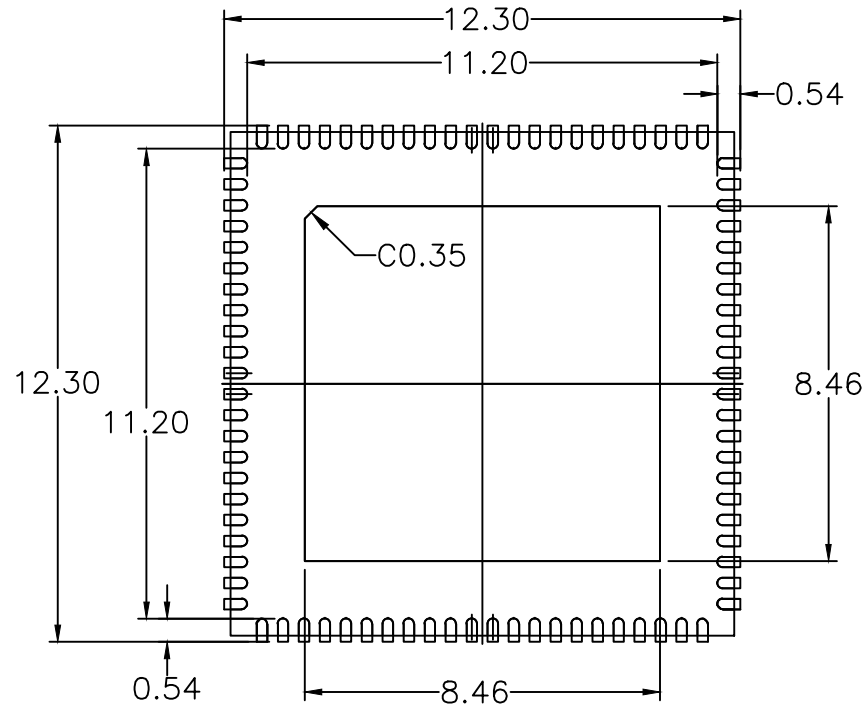


- NOTES:
1. COPLANARITY APPLIES TO LEADS, CORNER LEADS AND DIE ATTACH PAD
 2. TOTAL THICKNESS DOES NOT INCLUDE SAW BURR
 3. ALL DIMENSIONS IN MM

TOLERANCES UNLESS SPECIFIED DECIMAL ANGULAR XX± ± XXX± XXXX±	 6024 Silver Creek Valley Road San Jose, CA 95138 PHONE: (408) 284-8200 FAX: (408) 284-8591	
	www.IDT.com	
TITLE 88-VFQFPN Package Outline Drawing 12.0 x 12.0 x 0.85 mm Body 0.5mm Pitch NJG88		
SIZE C	DRAWING No. PSC-4694	REV 01
DO NOT SCALE DRAWING		SHEET 1 OF 2


DATE CREATED	REVISIONS		
	REV	DESCRIPTION	AUTHOR
8/7/17	00	INITIAL RELEASE	Srikanth
6/15/18	01	CHANGE QFN TO VFQFPN	R.CURILAN

NOTE: REFER TO DCP FOR OFFICIAL RELEASE DATE



RECOMMENDED LAND PATTERN

- NOTES:
1. ALL DIMENSIONS ARE IN MM. ANGLES IN DEGREES.
 2. TOP DOWN VIEW AS VIEWED ON PCB
 3. LAND PATTERN RECOMMENDATION PER IPC-7351B GENERIC REQUIREMENT FOR SURFACE MOUNT DESIGN AND LAND PATTERN

TOLERANCES UNLESS SPECIFIED DECIMAL ANGULAR XXX± ± XXX± XXXX±	 6024 Silver Creek Valley Road San Jose, CA 95138 PHONE: (408) 284-8200 FAX: (408) 284-8591 www.IDT.com	
	TITLE 88-VFQFPN Package Outline Drawing 12.0 x 12.0 x 0.85 mm Body 0.5mm Pitch NJG88	
SIZE C	DRAWING No. PSC-4694	REV 01
DO NOT SCALE DRAWING		SHEET 2 OF 2