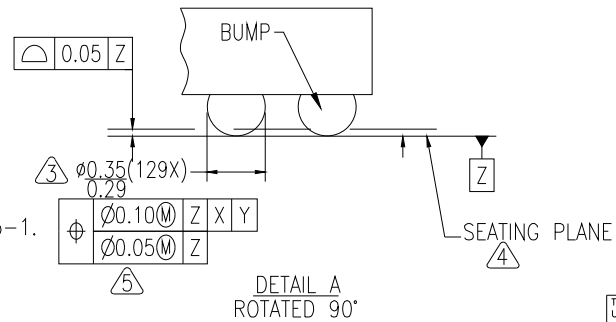
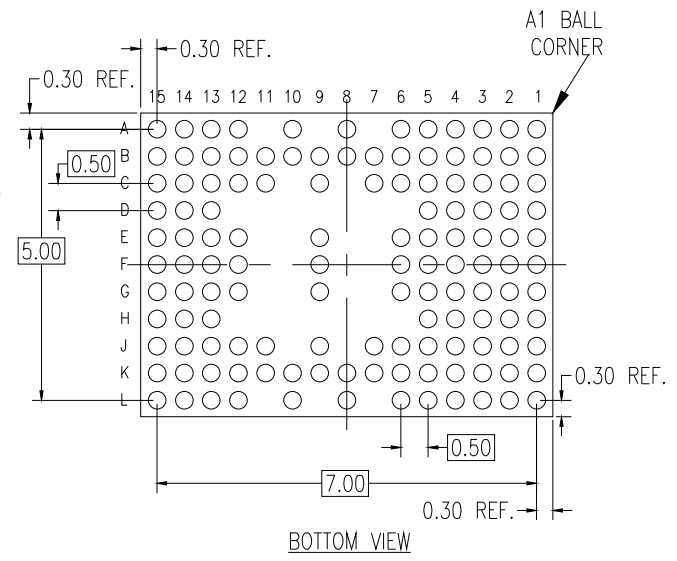
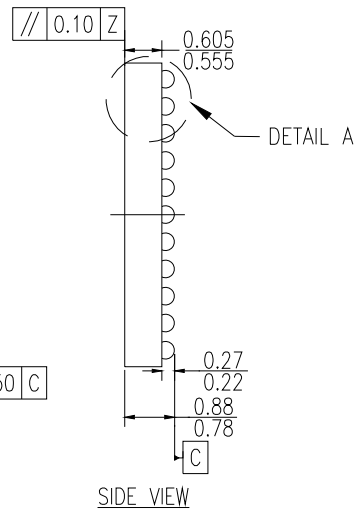
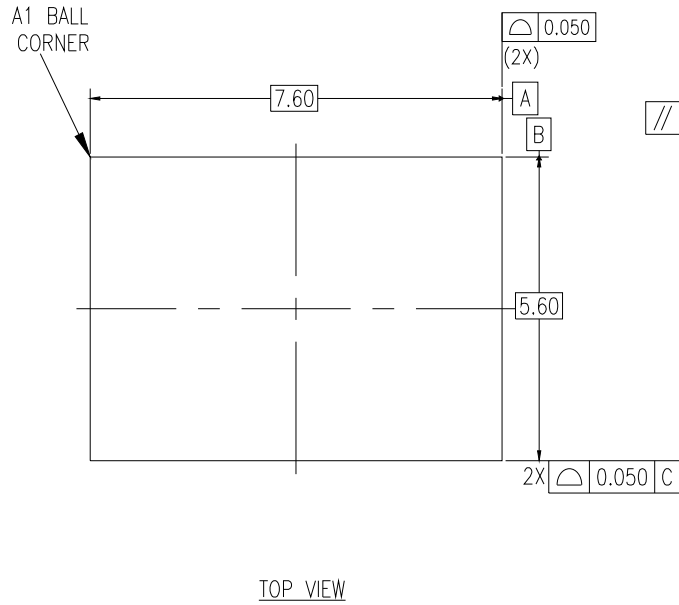


DATE		REVISIONS	
CREATED	REV	DESCRIPTION	AUTHOR
4/17/19	00	INITIAL RELEASE	CM
NOTE: REFER TO DCP FOR OFFICIAL RELEASE DATE			



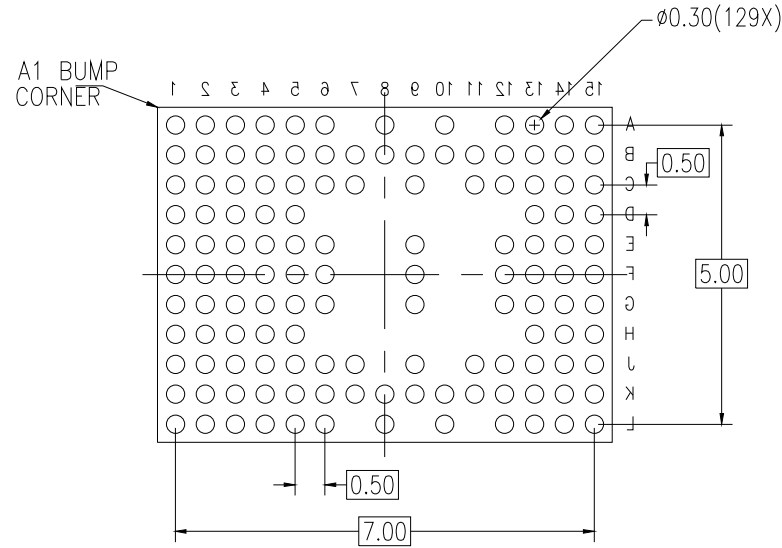
NOTES:

1. DIMENSIONS AND TOLERANCE PER ASME Y 14.5M - 2009, JESD 95-1.
2. ALL DIMENSIONS ARE IN MILLIMETERS.
3. DIMENSION IS MEASURED AT THE MAXIMUM BALL DIAMETER PARALLEL TO PRIMARY DATUM Z
4. PRIMARY DATUM Z AND SEATING PLANE ARE DEFINED BY THE SPHERICAL CROWNS OF THE BALL.
5. BALL POSITION DESIGNATION PER JESD 95-1.
6. THE RAW SOLDER BALL SIZE IS 300um.

TOLERANCES UNLESS SPECIFIED DECIMAL ANGULAR XX± 0.05 ± XXX± 0.012 ± XXXX±	 www.IDT.com	6024 SILVER CREEK VALLEY ROAD, SAN JOSE, CA 95138 PHONE: (408) 284-8200 FAX: (408) 284-3572
		TITLE AGV129 Package Outline Drawing 7.60 x 5.60 x 0.83 mm Body 0.5mm Pitch eWLB SIZE DRAWING No. REV C PSC-4801 00 DO NOT SCALE DRAWING SHEET 1 OF 2

DATE CREATED		REVISIONS	
REV	DESCRIPTION	AUTHOR	
4/17/19	00	INITIAL RELEASE	
		CM	


NOTE: REFER TO DCP FOR OFFICIAL RELEASE DATE



RECOMMENDED LAND PATTERN DIMENSION

NOTES:

1. ALL DIMENSIONS AND TOLERANCES ARE PER ASME Y14.5M-1994.
2. ALL DIMENSIONS ARE IN MILLIMETERS.

TOLERANCES UNLESS SPECIFIED		 6024 SILVER CREEK VALLEY ROAD, SAN JOSE, CA 95138 PHONE: (408) 284-8200 FAX: (408) 284-3572
DECIMAL	ANGULAR	
XXX± 0.05 ±		
XXXX± 0.012 ±		
www.IDT.com		TITLE ACY129 Package Outline Drawing 7.60 x 5.60 x 0.83 mm Body 0.5mm Pitch eWLB
SIZE	DRAWING No.	REV
C	PSC-4801	00
DO NOT SCALE DRAWING		SHEET 2 OF 2