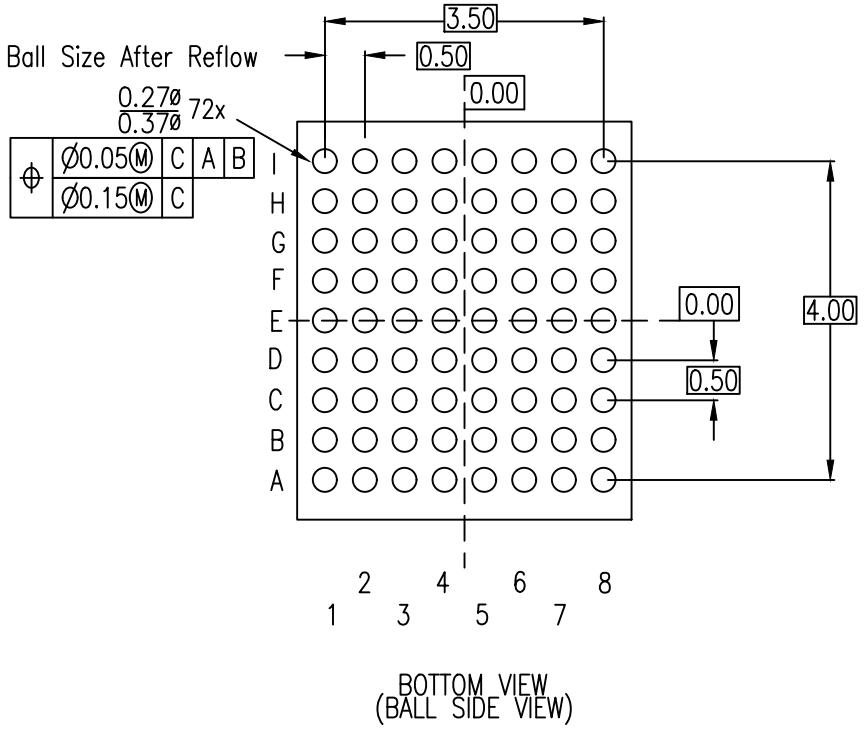
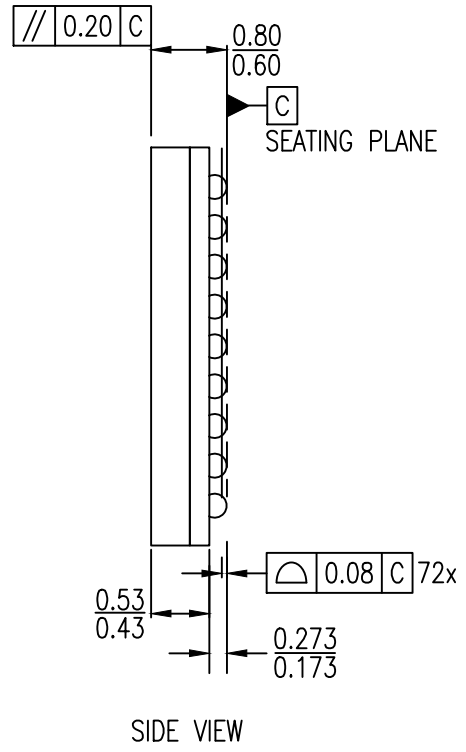
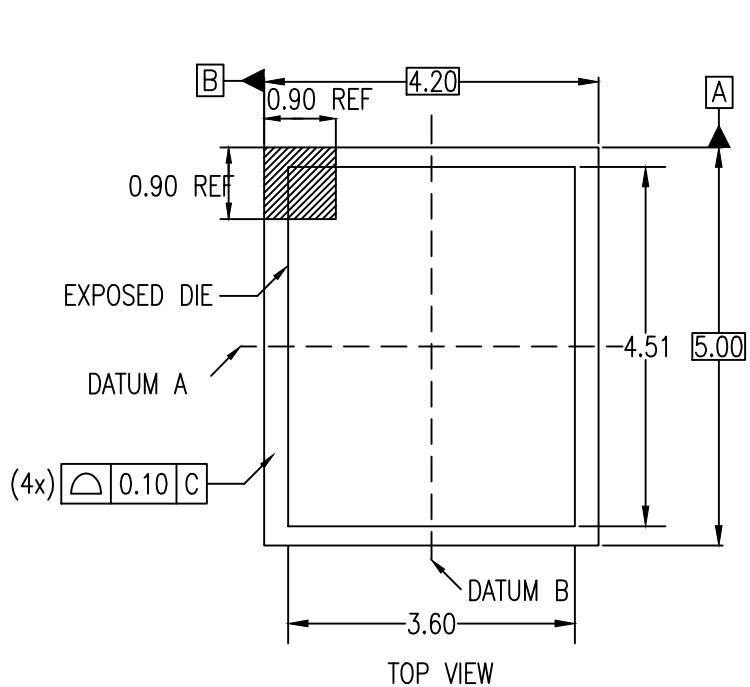



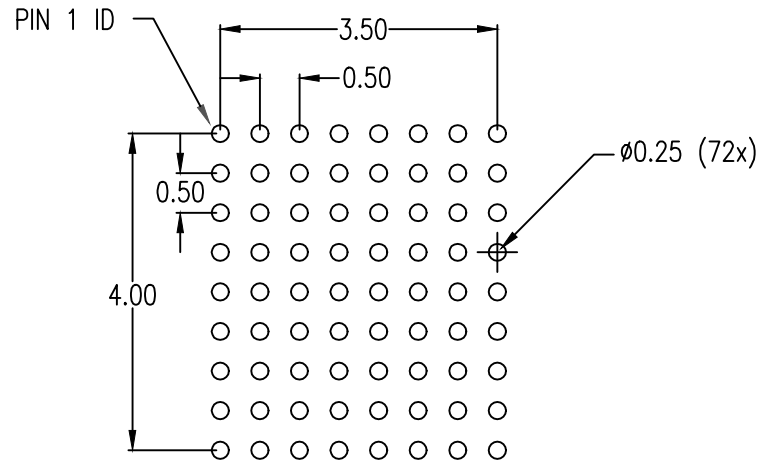
DATE CREATED		REVISIONS		
REV	DESCRIPTION	AUTHOR		
7/20/18	00	INITIAL RELEASE	Elmer Ko	

NOTE: REFER TO DCP FOR OFFICIAL RELEASE DATE



TOLERANCES UNLESS SPECIFIED		 <b>IDT</b> 6024 Silver Creek Valley Road San Jose, CA 95138 PHONE: (408) 284-8200 FAX: (408) 284-8591 www.IDT.com
DECIMAL	ANGULAR	
XXX±	±	
XXXX±	±	
TITLE ANG72 Package Outline Drawing 4.2 x 5.0 x 0.7 mm Body 0.50mm Pitch FCCSP		
SIZE	DRAWING No.	REV
C	PSC-4763	00
DO NOT SCALE DRAWING		SHEET 1 OF 2


DATE CREATED		REVISIONS		
REV	DESCRIPTION	AUTHOR		
7/20/18	00	INITIAL RELEASE		Elmer Ko
NOTE: REFER TO DCP FOR OFFICIAL RELEASE DATE				



RECOMMENDED LAND PATTERN DIMENSION  
(TOP VIEW)

NOTES:

1. ALL DIMENSION ARE IN MM. ANGLES IN DEGREES.
2. TOP DOWN VIEW. AS VIEWED ON PCB.
3. LAND PATTERN RECOMMENDATION PER IPC-7351B GENERIC REQUIREMENT FOR SURFACE MOUNT DESIGN AND LAND PATTERN.

TOLERANCES UNLESS SPECIFIED		 <b>6024 Silver Creek Valley Road</b> <b>San Jose, CA 95138</b> <b>PHONE: (408) 284-8200</b> <b>FAX: (408) 284-8591</b>	
DECIMAL	ANGULAR	www.IDT.com	
XXX±	±		
XXXX±			
XXXXX±			
TITLE ANG72 Package Outline Drawing 4.2 x 5.0 x 0.7 mm Body 0.50mm Pitch FCCSP			
SIZE	DRAWING No.	REV	
C	PSC-4763	00	
DO NOT SCALE DRAWING			SHEET 2 OF 2