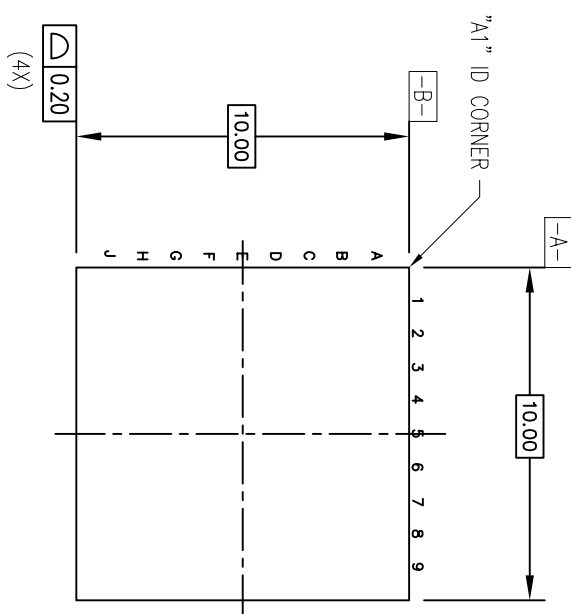
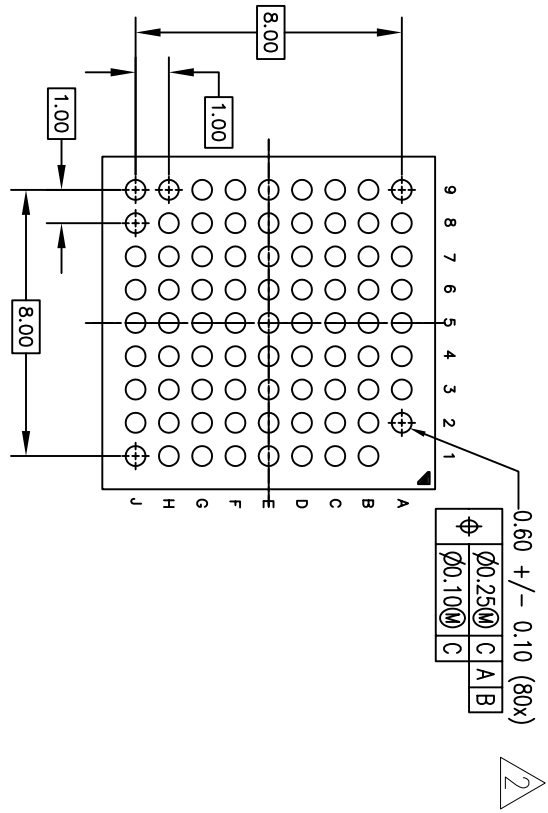


NOTES:

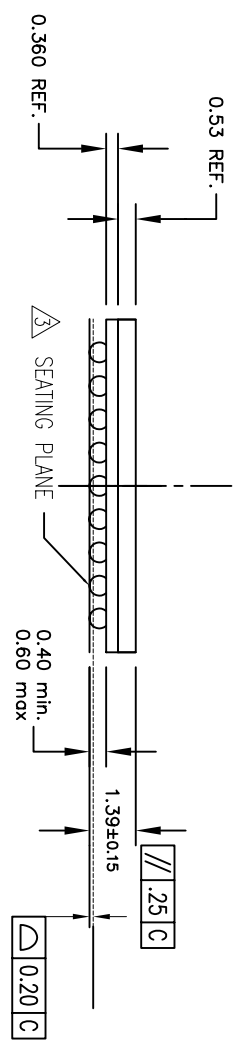
- 1 ALL DIMENSIONING AND TOLERANCING CONFORM TO ANSI Y14.5M-1994
- 2 DIMENSION IS MEASURED AT THE MAXIMUM SOLDER BALL DIAMETER, PARALLEL TO PRIMARY DATUM -C-
- 3 SEATING PLANE AND PRIMARY DATUM -C- ARE DEFINED BY THE CONTACT POINTS OF THREE OR MORE SOLDER BALLS THAT SUPPORT THE DEVICE WHEN PLACED ON A TOP OF A PLANAR SURFACE.
- 4 ALL DIMENSIONS ARE IN MILLIMETERS



TOP VIEW



BOTTOM VIEW
(BALL SIDE VIEW)

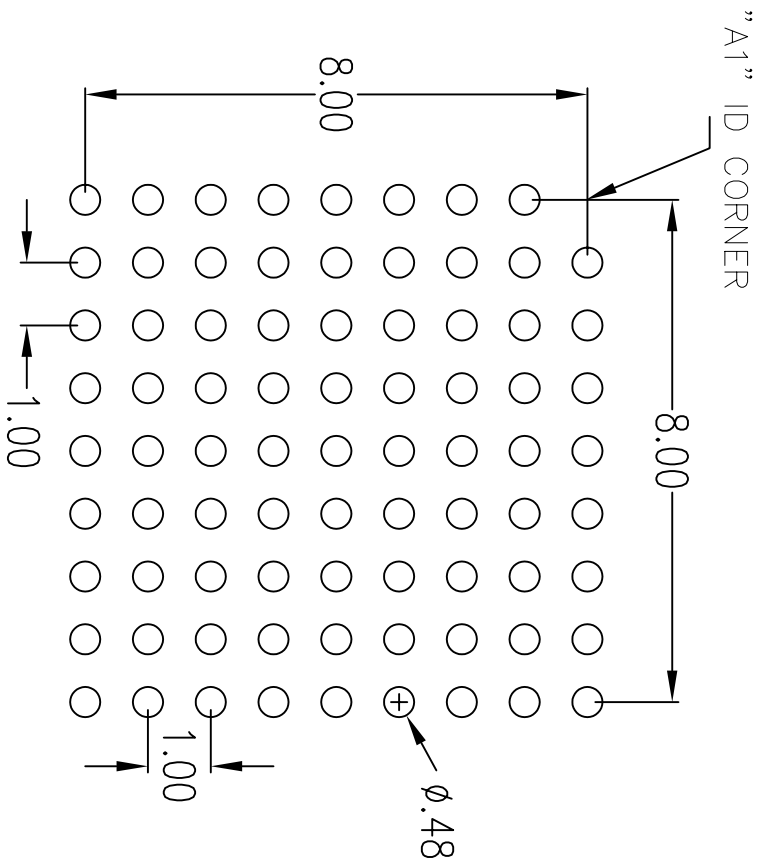


SIDE VIEW


REVISIONS			
REV	DESCRIPTION	DATE	APPROVED
00	INITIAL RELEASE	09/29/11	K. STAHN
01	COMBINE POD & LAND PATTERN	05/15/13	K. STAHN

TOLERANCES UNLESS SPECIFIED			
DECIMAL	ANGULAR	6024 Silver Creek Valley Rd San Jose, CA 95138 PHONE: (408) 284-8200 FAX: (408) 284-2775 www.IDT.com	
XX ± 0.05	±	TITLE ASG80 PACKAGE OUTLINE CABGA 10.0 X 10.0mm, 1.0mm pitch	
XXXX ±		APPROVALS	DATE
CHECKED		DRAWN	09/29/11
SIZE	DRAWING No.	REV	
C	PSC-4391	01	
DO NOT SCALE DRAWING		SHEET 1 OF 2	

REVISIONS			
REV	DESCRIPTION	DATE	APPROVED
00	INITIAL RELEASE	08/08/12	K. STAHN
01	COMBINE POD & LAND PATTERN	05/15/13	K. STAHN



RECOMMENDED LAND PATTERN DIMENSION

TOLERANCES UNLESS SPECIFIED		 6024 Silver Creek Valley Rd San Jose, CA 95138 PHONE: (408) 284-8200 FAX: (408) 284-2775
DECIMAL	ANGULAR	
XX.X	±	www.IDT.com
XXXX±		
APPROVALS	DATE	TITLE ASG80 LAND PATTERN
DRAWN <i>RAC</i>	08/09/12	CARGA 10.0 X 10.0mm, 1.0mm pitch
CHECKED		
SIZE	DRAWING No.	REV
C	PSC-4391	01
DO NOT SCALE DRAWING		SHEET 2 OF 2