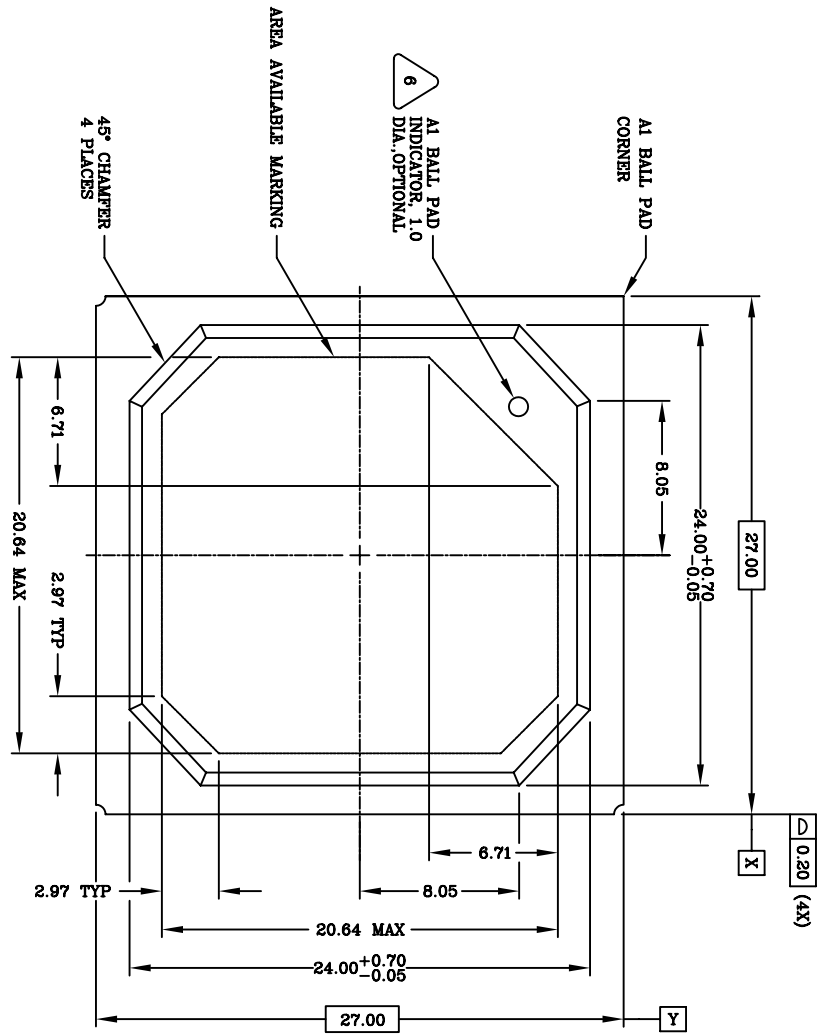
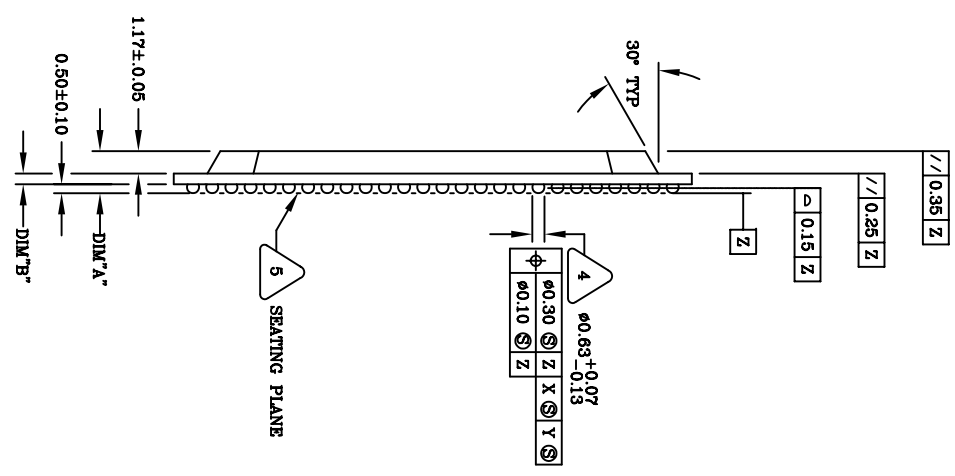


REVISIONS			
REV	DESCRIPTION	DATE	APPROVED
01	ADD "GREEN" BBG NOMENCLATURE	10/21/04	TU VU
02	COMBINE POD & LAND PATTERN	06/07/13	KS



TOP VIEW

4 (36um Cu)	2.23±0.21	0.56±0.06
NO. LAYERS	DIM "A"	DIM "B"
PBGA THICKNESS SCHEDULE		



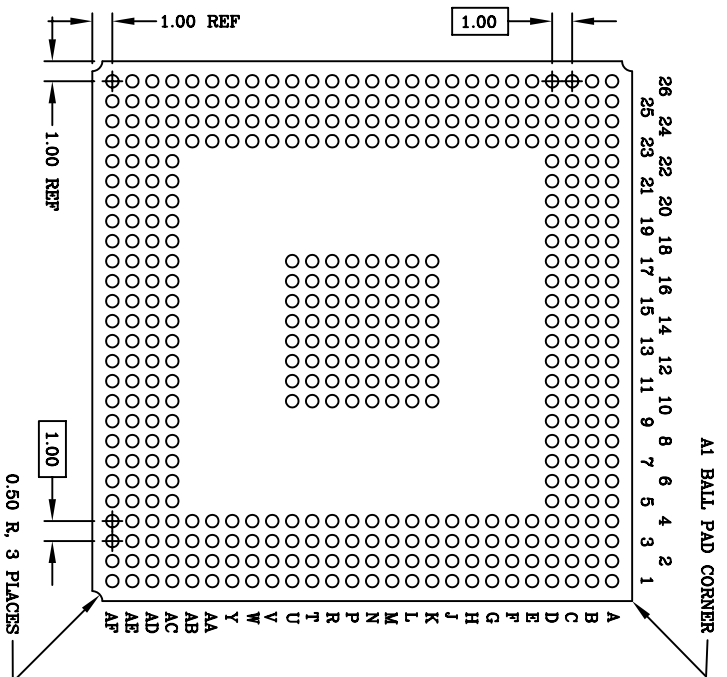
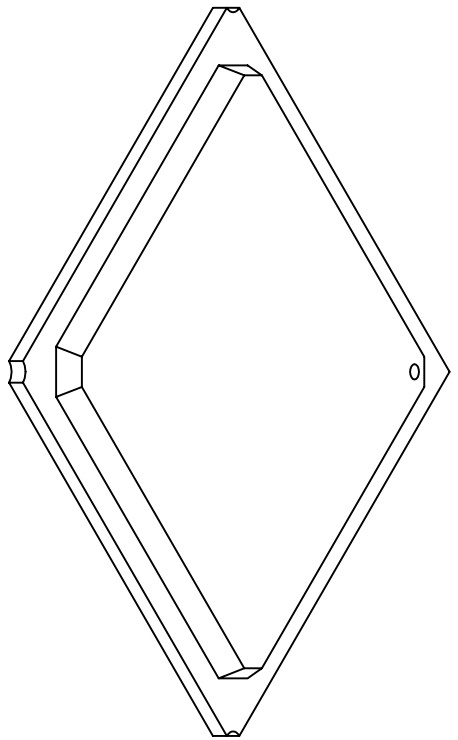
SIDE VIEW

TOLERANCES UNLESS SPECIFIED	
DECIMAL	ANGULAR
XXX±	±
XXXX±	
XXXXX±	
APPROVALS	DATE
DRAWN <i>gjc</i>	08/06/01
CHECKED	
TITLE	
BB/BBG 416 PACKAGE OUTLINE	
27.0 X 27.0 mm BODY	
PBGA 1.0 mm BALL PITCH	
SIZE	DRAWING No.
C	PSC-4106
REV	02

IDT 6024 SILVER CREEK VALLEY ROAD
 SAN JOSE, CA 95138
 PHONE: (408) 284-8200
 WWW.IDT.COM FAX: (408) 284-8591

DO NOT SCALE DRAWING	
SHEET 1 OF 3	

REVISIONS			
REV	DESCRIPTION	DATE	APPROVED
01	ADD "GREEN" BBG NOMENCLATURE	10/21/04	TU VU
02	COMBINE POD & LAND PATTERN	06/07/13	KS

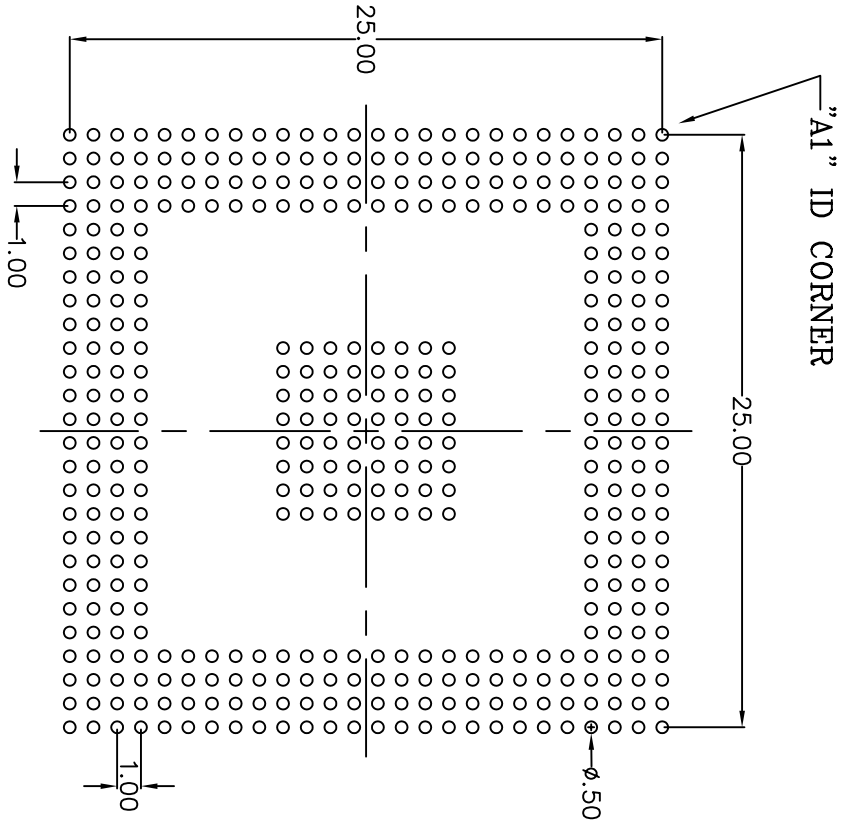


BOTTOM VIEW
(416 SOLDER BALLS)

- NOTES: UNLESS OTHERWISE SPECIFIED
1. ALL DIMENSIONS AND TOLERANCES CONFORM TO ASME Y14.5M-1994.
 2. THE BASIC SOLDER BALL GRID PITCH IS 1.00mm.
 3. THE MAXIMUM SOLDER BALL MATRIX SIZE IS 26 X 26. DIMENSION IS MEASURED AT THE MAXIMUM SOLDER BALL DIAMETER, PARALLEL TO PRIMARY DATUM Z.
 4. PRIMARY DATUM Z AND SEATING PLANE ARE DEFINED BY THE SPHERICAL CROWNS OF THE SOLDER BALLS.
 5. PRIMARY DATUM Z AND SEATING PLANE ARE DEFINED BY THE SPHERICAL CROWNS OF THE SOLDER BALLS.
 6. "A1" ID CORNER MUST BE IDENTIFIED. IDENTIFICATION MAY BE BY MEANS OF CHAMFER, METALLIZED OR INK MARK, INDENTATION OR OTHER FEATURE OF THE PACKAGE BODY. MARK MUST BE VISIBLE FROM TOP SURFACE.

TOLERANCES UNLESS SPECIFIED		6024 SILVER CREEK VALLEY ROAD	
DECIMAL	ANGULAR	SAN JOSE, CA 95138	
±	±	PHONE: (408) 284-9200	
XXX±	XXX±	WWW.IDT.COM FAX: (408) 284-8591	
XXXX±	XXXX±		
APPROVALS	DATE	TITLE	
DRWN JS	08/08/01	BB/BBG 416 PACKAGE OUTLINE	
CHECKED		27.0 X 27.0 mm BODY	
		PBGA 1.00mm BALL PITCH	
SIZE	DRAWING NO.	REV	
C	PSC-4106	02	
DO NOT SCALE DRAWING		SHEET 2 OF 3	

REVISIONS			
REV	DESCRIPTION	DATE	APPROVED
01	ADD "GREEN" BKG NOMENCLATURE	10/21/04	TU VU
02	COMBINE POD & LAND PATTERN	06/07/13	KS




RECOMMENDED LAND PATTERN DIMENSION

NOTE:

- 1) ALL dimensions are in mm, Angles in degrees.
- 2) Top down view, as view on PCB.
- 3) NSMD Land Pattern Assumed
- 4) Land Pattern Recommendation as per IPC-7351B generic requirement for surface mount design and Land Pattern.

TOLERANCES UNLESS SPECIFIED		DATE	
DECIMAL	ANGULAR		
XXX±	±		
XXXX±			
APPROVALS	DATE	TITLE	
DRWN JSZ	09/06/01	BB/BBG 416 PACKAGE OUTLINE	
CHECKED		27.0 X 27.0 mm BODY	
		PBGA 1.00mm BALL PITCH	
		SIZE	REV
		C	02
DRAWING No. PSC-4106		DO NOT SCALE DRAWING	
SHEET 3 OF 3			


IDT 6024 SILVER CREEK VALLEY ROAD
 SAN JOSE, CA 95138
 PHONE: (408) 294-8200
 WWW.IDT.COM FAX: (408) 294-8991