


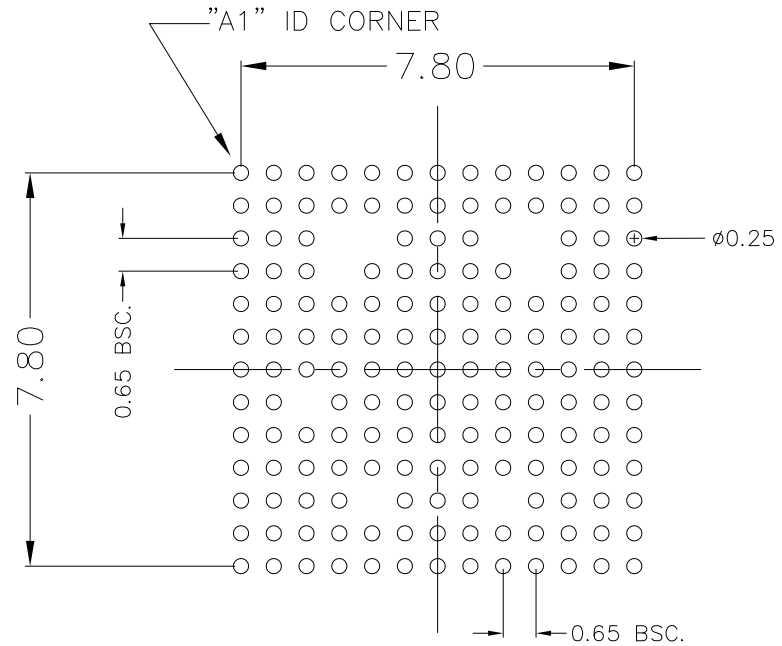
REVISIONS			
REV	DESCRIPTION	DATE	APPROVED
00	INITIAL RELEASE	5/5/16	CK LEE

NOTES:

- 1 ALL DIMENSIONING AND TOLERANCING CONFORM TO ANSI Y14.5M-1982
- 2 "M" REPRESENTS THE MAXIMUM SOLDER BALL MATRIX SIZE
- 3 SEATING PLANE AND PRIMARY DATUM [-C-] ARE DEFINED BY THE SPHERICAL CROWNS OF THE SOLDER BALLS
- 4 "A1" ID CORNER MUST BE IDENTIFIED BY CHAMFER, INK MARK, METALLIZED MARKING, INDENTATION OR OTHER FEATURE ON PACKAGE BODY
- 5 ALL DIMENSIONS ARE IN MILLIMETERS

TOLERANCES UNLESS SPECIFIED DECIMAL    ANGULAR XX± 0.05    ± XXX± 0.012 XXXX±		 www.IDT.com	6024 SILVER CREEK VALLEY ROAD, SAN JOSE, CA 95138 PHONE: (408) 284-8200 FAX: (408) 284-3572	
APPROVALS	DATE		TITLE BVG160 PACKAGE OUTLINE 9.0 x 9.0mm BODY 0.65mm PITCH BGA	
DRAWN	1/11/16	SIZE	DRAWING No.	REV
CHECKED		C	PSC-4633	00
DO NOT SCALE DRAWING			SHEET 1 OF 2	


REVISIONS			
REV	DESCRIPTION	DATE	APPROVED
00	INITIAL RELEASE	5/5/16	CK LEE



RECOMMENDED LAND PATTERN DIMENSION

NOTE:

- 1) ALL dimensions are in mm, Angles in degrees.
- 2) Top down view, as view on PCB.
- 3) NSMD Land Pattern Assumed
- 4) Land Pattern Recommendation as per IPC-7351B generic requirement for surface mount design and Land Pattern.

TOLERANCES UNLESS SPECIFIED DECIMAL ANGULAR XX± 0.05 ± XXX± 0.012 XXXX±		 www.IDT.com 6024 SILVER CREEK VALLEY ROAD, SAN JOSE, CA 95138 PHONE: (408) 284-8200 FAX: (408) 284-3572		
APPROVALS	DATE			
DRAWN <i>CC</i>	1/11/16	TITLE BVG160 PACKAGE OUTLINE 9.0 x 9.0mm BODY 0.65mm PITCH BGA		
CHECKED				
		SIZE C	DRAWING No. PSC-4633	REV 00
DO NOT SCALE DRAWING			SHEET 2 OF 2	