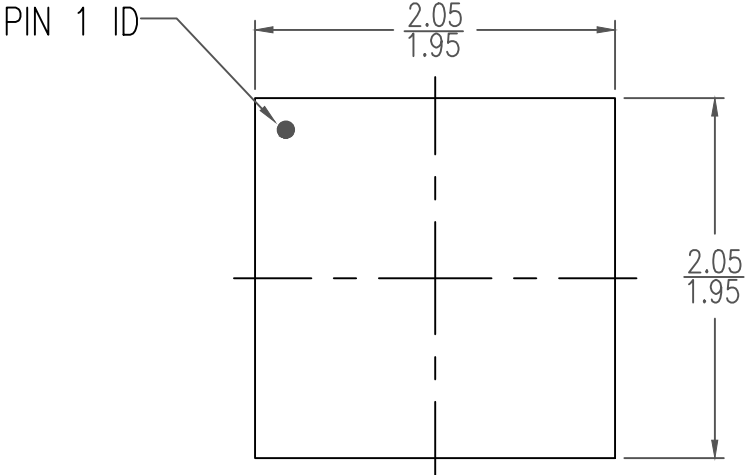
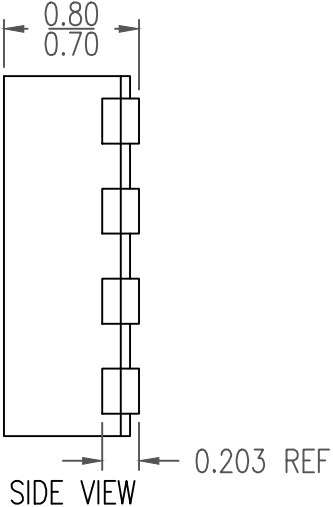


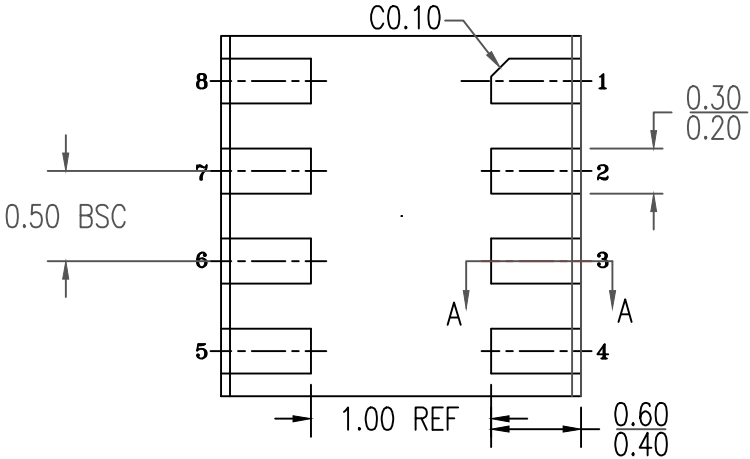
REVISIONS			
DATE CREATED	REV	DESCRIPTION	AUTHOR
10/1/18	00	INITIAL RELEASE	J.HUA
NOTE: REFER TO DCP FOR OFFICIAL RELEASE DATE			



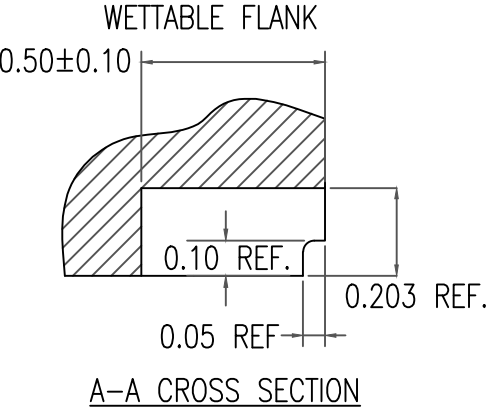
TOP VIEW



SIDE VIEW



BOTTOM VIEW

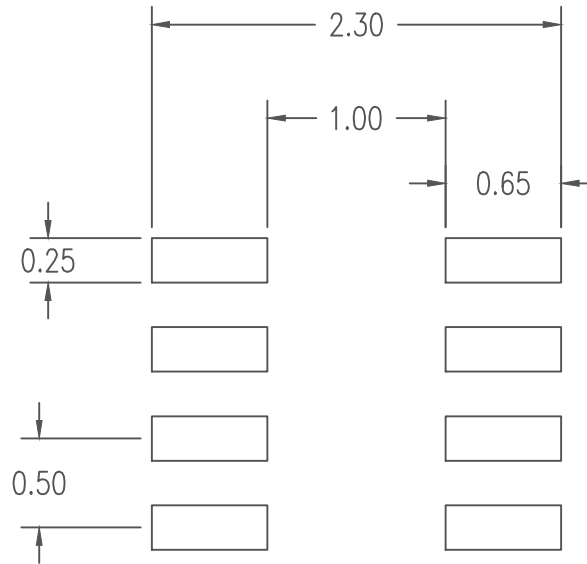


A-A CROSS SECTION

- NOTES:
1. ALL DIMENSIONING AND TOLERANCING CONFORM TO ANSI Y14.5M-1982
 2. ALL DIMENSIONS ARE IN MILLIMETERS

TOLERANCES UNLESS SPECIFIED		6024 SILVER CREEK VALLEY ROAD San Jose, CA 95138 PHONE: (408) 284-8200 FAX: (408) 492-8674
DECIMAL	ANGULAR	
xxx±	±	
xxxx±		
xxxxx±		
TITLE CMT8 Package Outline Drawing 2.0 x 2.0 x 0.75 mm Body 0.5mm Pitch DFN		
SIZE	DRAWING No.	REV
C	PSC-4778	00
DO NOT SCALE DRAWING		SHEET 1 OF 2


REVISIONS			
DATE CREATED	REV	DESCRIPTION	AUTHOR
10/1/18	00	INITIAL RELEASE	J.HUA
NOTE: REFER TO DCP FOR OFFICIAL RELEASE DATE			



RECOMMENDED LAND PATTERN DIMENSION

NOTES:

1. ALL DIMENSION ARE IN MM. ANGLES IN DEGREES.
2. TOP DOWN VIEW. AS VIEWED.
3. LAND PATTERN RECOMMENDATION PER IPC-7351B GENERIC REQUIREMENT FOR MOUNT DESIGN AND LAND PATTERN.

TOLERANCES UNLESS SPECIFIED		 6024 SILVER CREEK VALLEY ROAD San Jose, CA 95138 PHONE: (408) 284-8200 FAX: (408) 492-8674	
DECIMAL	ANGULAR	www.IDT.com	
XX±	±		
XXX±			
XXXX±			
		TITLE CMT8 Package Outline Drawing 2.0 x 2.0 x 0.75 mm Body 0.5mm Pitch DFN	
SIZE	DRAWING No.	REV	
C	PSC-4778	00	
DO NOT SCALE DRAWING			SHEET 2 OF 2