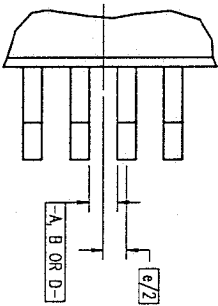
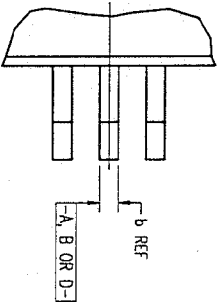


DCN	REV	DESCRIPTION	DATE	APPROVED
29253	00	INITIAL RELEASE	08/20/96	T/VU
61476	01	ADD 'DR' PACKAGE OPTION	09/20/98	T/VU
61829	02	ADD 'DR' PACKAGE OPTION	01/30/99	T/VU

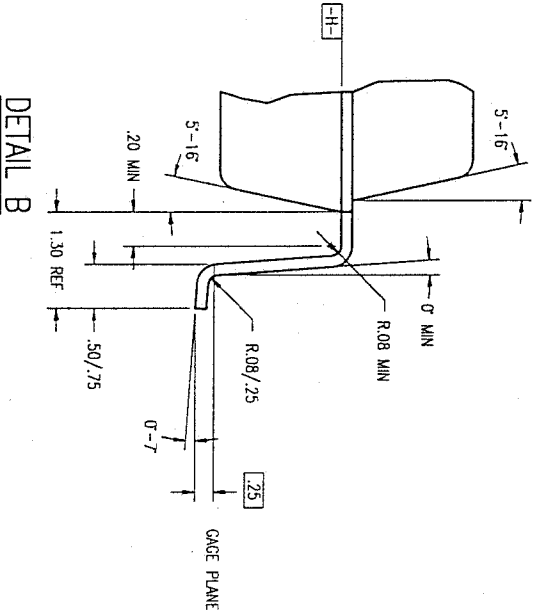
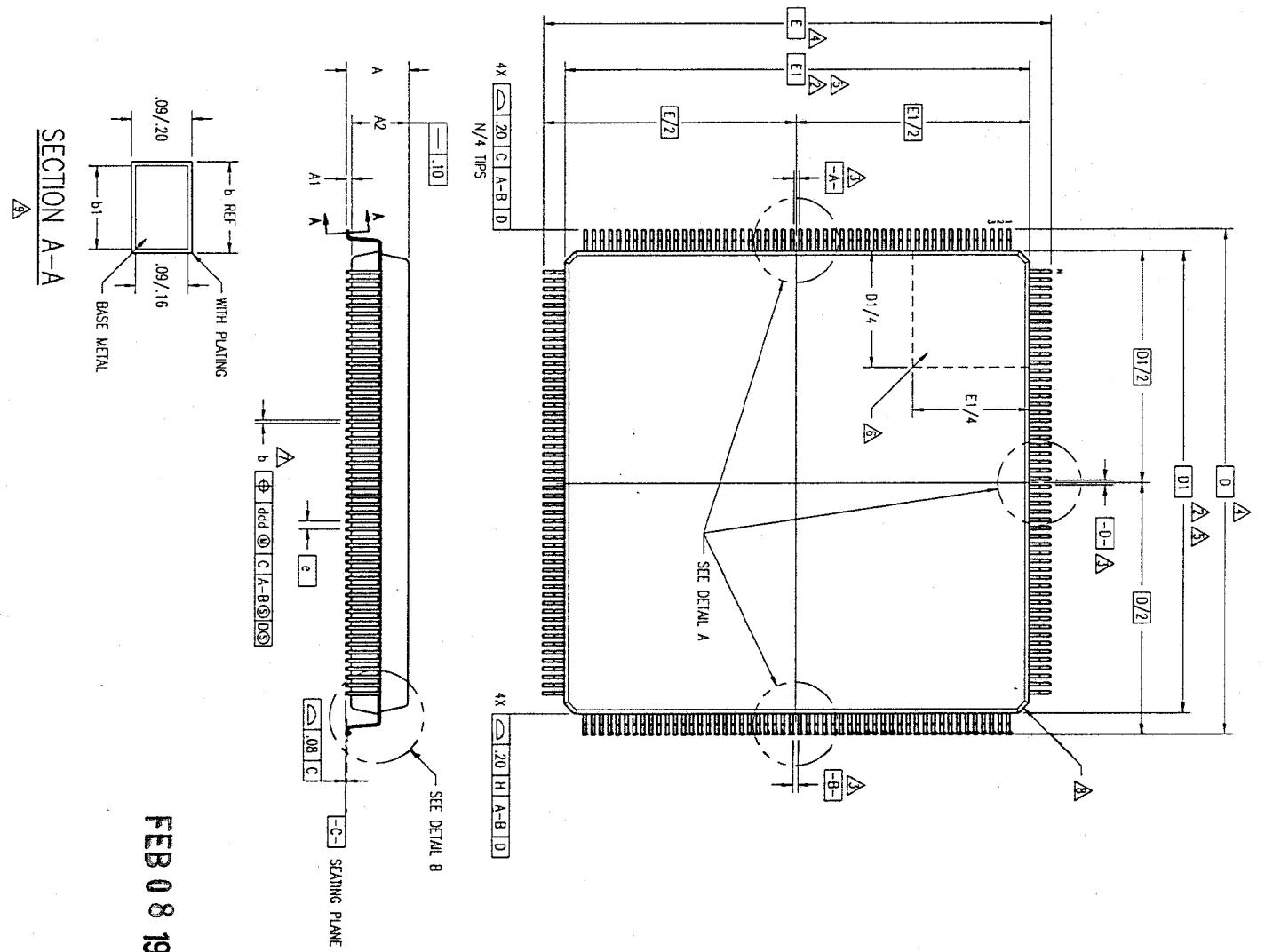
EVEN LEAD SIDES



ODD LEAD SIDES

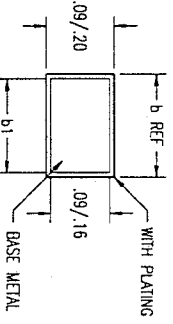


DETAIL A



DETAIL B

SECTION A-A



FEB 08 1999

TOLERANCES UNLESS SPECIFIED		Integrated Device Technology, Inc. 2975 Slender Way, Santa Clara, CA 95054 PHONE: (408) 727-8116 FAX: (408) 482-8874 Tlx: 910-318-2070	
DECIMAL	±		
ANGULAR	±		
XXX	XXXX		
APPROVALS	DATE	TITLE	SIZE
BRAUN JV	09/20/98	OS/DR/DR PACKAGE OUTLINE	C
CHECKED		28.0 X 28.0 X 3.4 mm PQFP	PSC-4059
		1.30/25 MIN FORM	02
DO NOT SCALE DRAWING			SHEET 1 OF 2

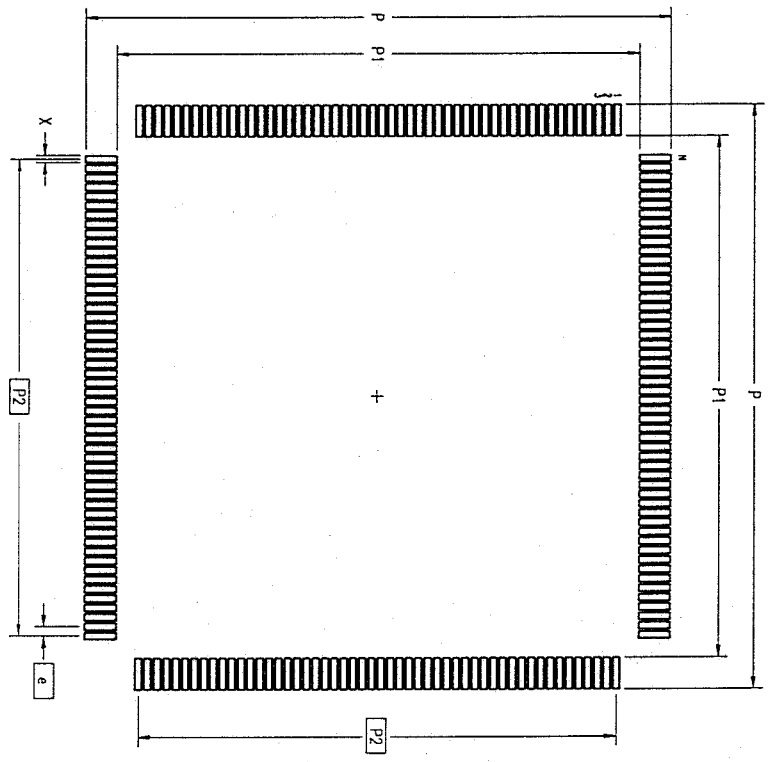
REVISIONS				
DCN	REV	DESCRIPTION	DATE	APPROVED
29253	00	INITIAL RELEASE	08/20/96	T. WU
61476	01	ADD 'DR' PACKAGE OPTION	09/20/98	T. WU
61829	02	ADD 'DR' PACKAGE OPTION	01/30/99	T. WU

LAND PATTERN DIMENSIONS

SYMBOL	JEDEC VARIATION			N D T E
	FA-1			
	MIN	NOM	MAX	
A	-	-	4.10	
A1	.25	-	-	
A2	3.20	3.40	3.60	
D	30.60 BSC			4
D1	28.00 BSC			5.2
E	30.60 BSC			4
E1	28.00 BSC			5.2
N	208			
e	.50 BSC			
b	.17	-	.27	7
b1	.17	.20	.23	
ddd	-	-	.08	

NOTES:

- ALL DIMENSIONING AND TOLERANCING CONFORM TO ASME Y14.5M-1994
- TOP PACKAGE MAY BE SMALLER THAN BOTTOM PACKAGE BY .15 mm
- DATUMS [A-B] AND [D] TO BE DETERMINED AT DATUM PLANE [H]
- DIMENSIONS D AND E ARE TO BE DETERMINED AT SEATING PLANE [C]
- DIMENSIONS D1 AND E1 DO NOT INCLUDE MOLD PROTRUSION. ALLOWABLE MOLD PROTRUSION IS .25 mm PER SIDE. D1 AND E1 ARE BODY SIZE DIMENSIONS INCLUDING MOLD MISMATCH
- DETAIL OF PIN 1 IDENTIFIER IS OPTIONAL BUT MUST BE LOCATED WITHIN THE ZONE INDICATED
- DIMENSION b DOES NOT INCLUDE DAMBAR PROTRUSION. ALLOWABLE DAMBAR PROTRUSION IS .08 mm IN EXCESS OF THE b DIMENSION AT MAXIMUM MATERIAL CONDITION. DAMBAR CANNOT BE LOCATED ON THE LOWER RADIUS OR THE FOOT.
- EXACT SHAPE OF EACH CORNER IS OPTIONAL
- THESE DIMENSIONS APPLY TO THE FLAT SECTION OF THE LEAD BETWEEN .10 AND .25 mm FROM THE LEAD TIP
- ALL DIMENSIONS ARE IN MILLIMETERS
- THIS OUTLINE CONFORMS TO JEDEC PUBLICATION 95 REGISTRATION MO-143, VARIATION FA-1



	MIN	MAX
P	31.20	31.40
P1	27.80	28.00
P2	25.50 BSC	
X	.30	.40
e	.50 BSC	
N	208	

FEB 08 1999

TOLERANCES
UNLESS SPECIFIED
DECIMAL
ANGULAR

INTEGRATED DEVICE TECHNOLOGY, INC.
2975 Sander Way, Santa Clara, CA 95054
PHONE: (408) 727-6116
FAX: (408) 482-8674
TWE: 810-338-2070

APPROVALS
DRAWN BY: 9/29/98
CHECKED: [Signature]

TITLE
DS/DR PACKAGE OUTLINE
28.0 X 28.0 X 3.4 mm PQFP
1.30/.25 MIN FORM

SIZE: C
DRAWING NO.: PSC-4059
REV: 02

DO NOT SCALE DRAWING

SHEET 2 OF 2